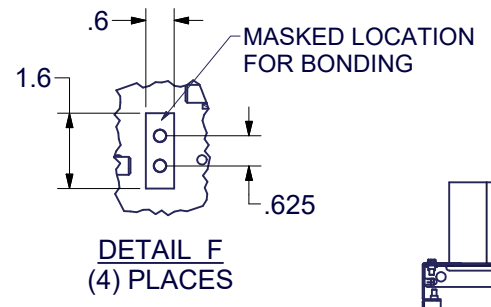
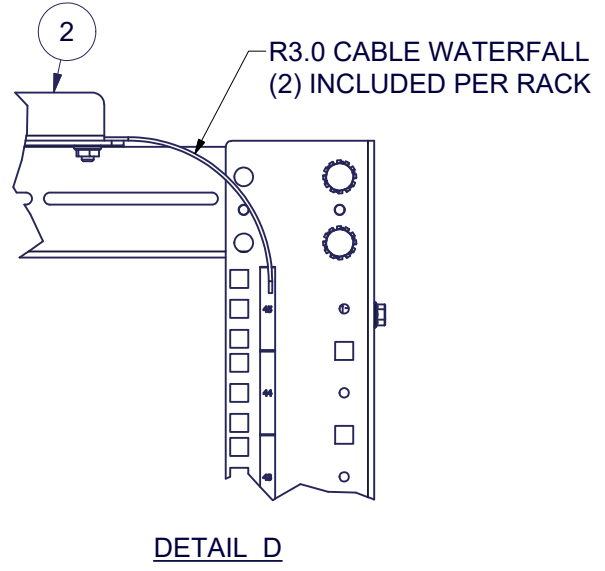


REVISION HISTORY		
REV	DATE	APPROVED
0	2/13/20	CND
1	3/16/20	CND
2	5/6/20	CND
3	5/28/20	CND

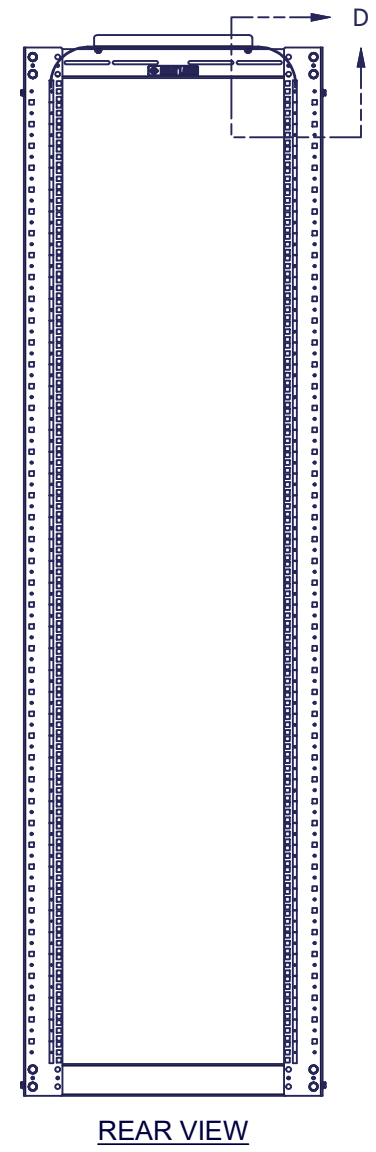
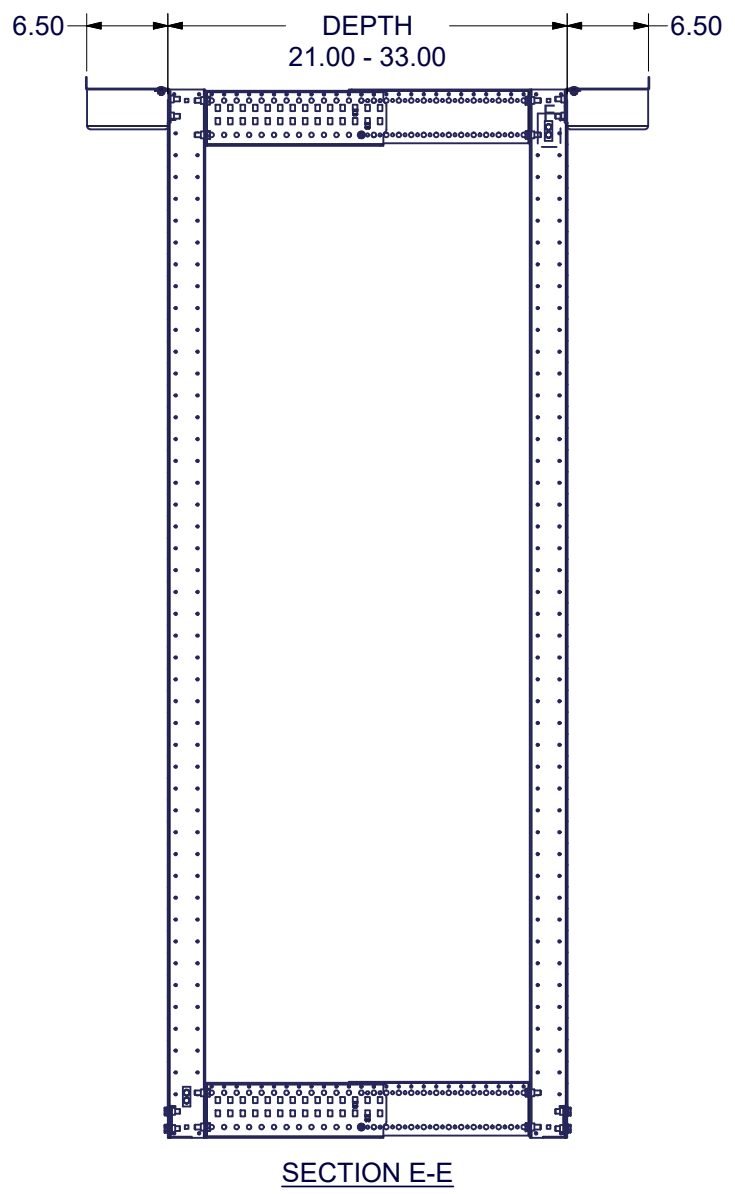
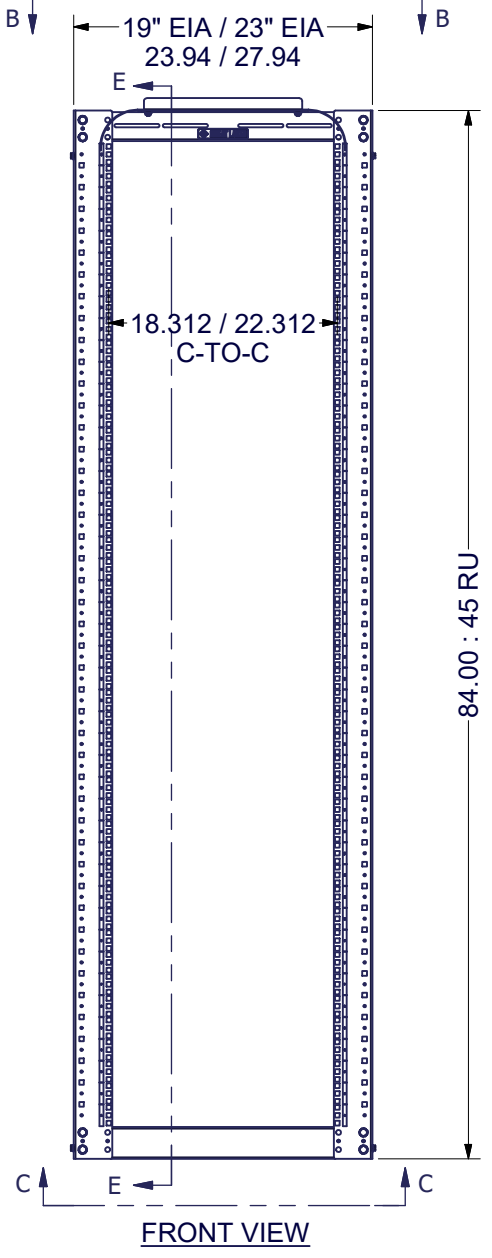
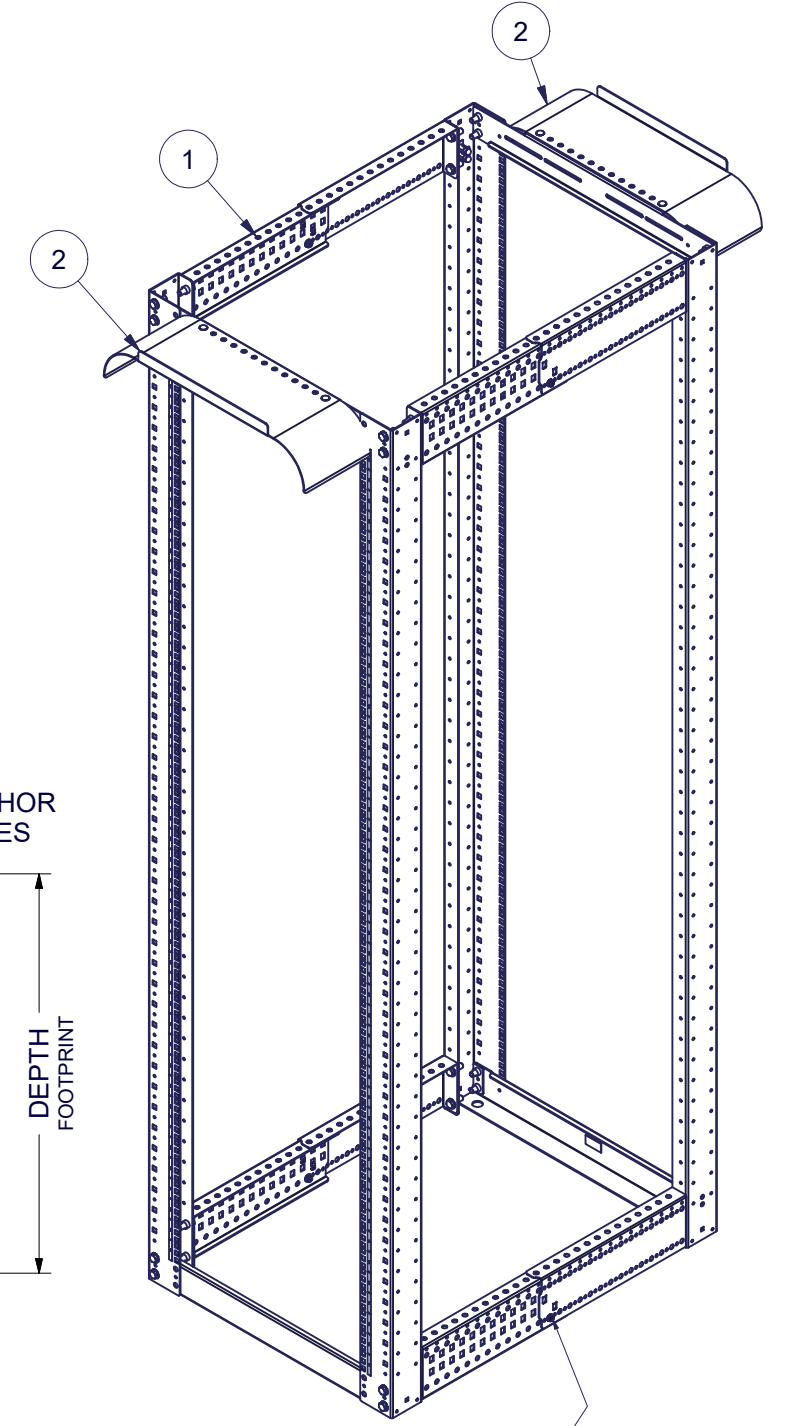
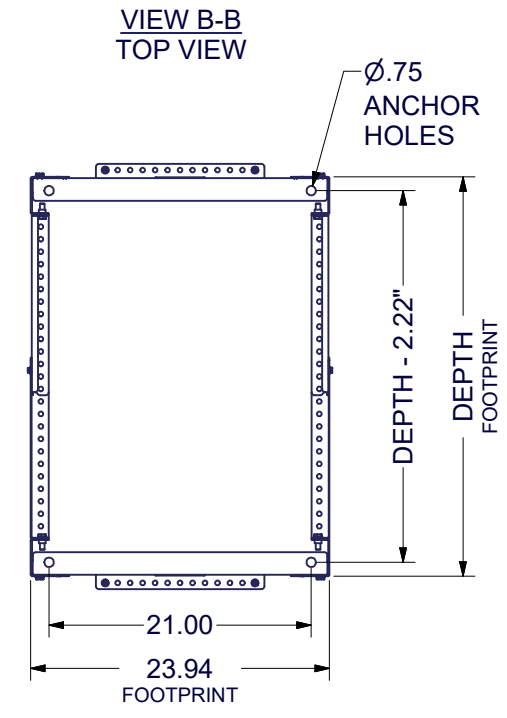
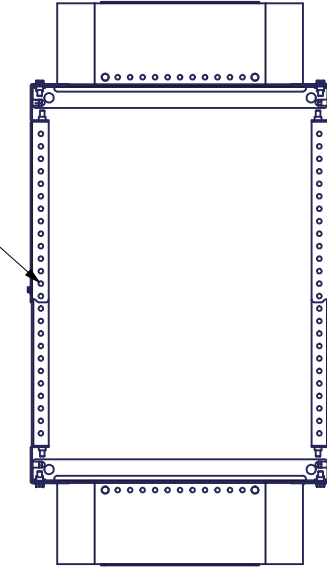
**SEE CHART FOR DIMENSIONS :** SHIPS FLAT UNASSEMBLED  
**SEE CHART FOR RACK SPACES :** 19" EIA 310-E COMPLIANT  
**RAILS RATED AT :** 2500 lbs.  
**CERTIFICATIONS:** UL 2416 STANDARD FOR IT & COMMUNICATIONS EQUIPMENT ENCLOSURES  
**COLOR :** DURABLE TEXTURED POWDER COATING  
**BOLT TOGETHER CONSTRUCTION :**  
 VERTICAL RAILS, #12 GA. C.R.S.  
 BOTTOM HORIZONTAL FEET, #12 GA. C.R.S.  
 TOP HORIZONTAL SUPPORT, #12 GA. C.R.S.  
 VARIABLE DEPTH SUPPORTS, #14 & #12 GA. C.R.S.  
 (32) 3/8-16 x 1" LG ASSEMBLY BOLTS  
**OPTIONAL CONFIGURATION:**  
**DEPTH :** RACK CAN BE ASSEMBLED AT DEPTHS RANGING FROM 21.00" TO 33.00", AT 1" INCREMENTS  
**WIDTH :** RACK CAN BE ASSEMBLED FOR 19" OR 23" EIA EQUIPMENT  
**INCLUDED:** ALL PARTS LISTED ON BOM ARE INCLUDED IN VRX45U-2132-M6-HL  
**OPTIONAL PARTS:** CM-26 KIT OF (10) PLASTIC 1/4 TURN "D" RING, 3.5" x 5"  
 VCMX45U-FK KIT OF (12) CABLE MANAGEMENT FINGERS  
 45U-RGS 45U RACK GROUNDING STRIP

Bill of Material				
ITEM	PART NUMBER	QTY	DESCRIPTION	
1	VRX45U2132M6X100	1	4 POST VARIABLE DEPTH RACK, 45 RMU, CAGE NUT, 21-32" DEEP, 19/23 WIDE EIA	
2	VRXCMU-HL	1	(2) TOP CABLE WATERFALLS FOR VRX RACKS	
4	DHL-GJ-12-6	1	DOUBLE HOLE LUG GROUND JUMPER 12" SECTION SOLID #6 AWG WIRE CRIMPED **SHIPS INSTALLED**	
5	HDW-105-50	1	PACKAGE OF 50 M6 CAGE NUTS WITH 12MM, M6 SCREWS	



Ø.375 TYP OVERHEAD CABLE MANAGEMENT HOLES, SPACED AT 1" INCREMENTS

VPCBs REMOVED



EST. WEIGHT : 99.3lb

THIRD ANGLE PROJECTION

INTERPRET DRAWING PER ASME Y14.5M-1994  
 DIMENSIONAL LIMITS APPLY AFTER APPLICATION OF FINISH  
 DRAWING NOT TO SCALE  
 TOLERANCE UNLESS OTHERWISE NOTED:  
 ANGULAR +/- .1"  
 .XXXX +/- .015  
 .XXX +/- .015  
 .XX +/- .030  
 .X FOR REF. ONLY  
 UNLESS OTHERWISE SPECIFIED ALL DIMENSIONS ARE IN INCHES

**NOTICE:**  
 Use of this document is subject to a confidentiality and nondisclosure agreement with Great Lakes Case & Cabinet Co., Inc. (GLCC) and may not be reproduced, disclosed or utilized in whole or in part without prior written authorization from GLCC.

PART NUMBER: VRX45U-2132-M6-HL  
 MATERIAL TYPE:  
 MATERIAL GAUGE:  
 FINISH:  
 DRAWN: CAIUSD  
 CHECKED & APP.:

TITLE: HIGHLANDER 4 POST VRX VARIABLE DEPTH RACK, 45 RMU, CAGE NUT, 21-32" DEEP, 19/23 WIDE EIA ASSEMBLY  
 GREAT LAKES CASE & CABINET CO., INC.  
 P.O. BOX 551 EDINBORO, PA 16412  
 PHONE (814) 734-7303 FAX (814) 734-3907  
 E-MAIL glcc@greatcabinets.com  
 DWG NO: 1031565-HL  
 REV: 3  
 SHEET: 1 OF 1