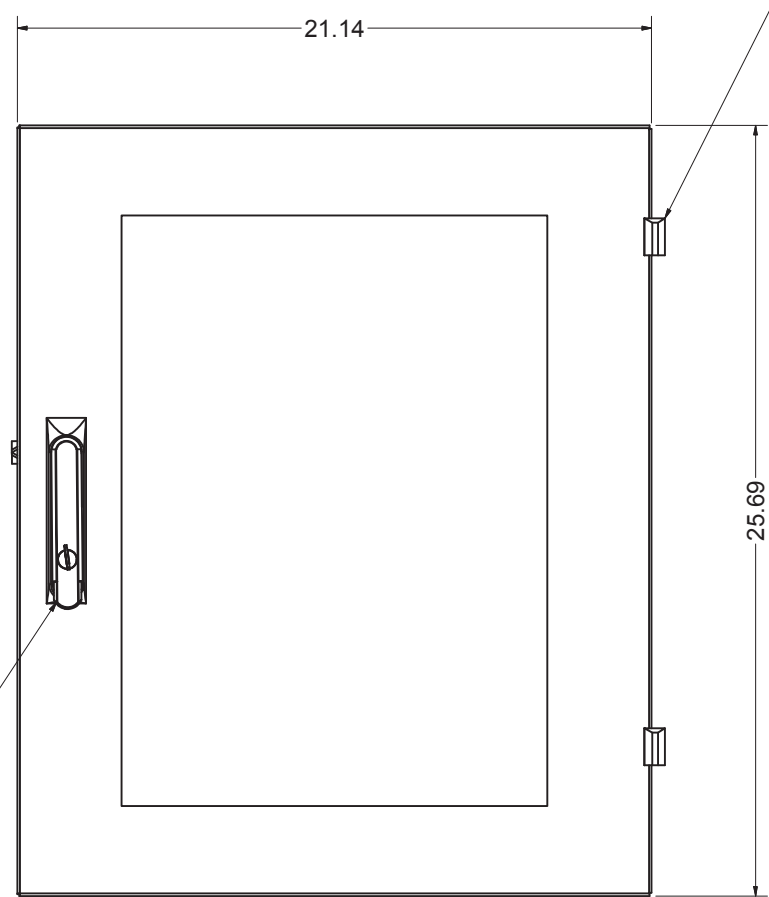


REVISION HISTORY			
REV	DESCRIPTION	DATE	APPROVED
0	ECO-01282	8/5/2003	WSS
1	ECO-01954	5/24/2007	WSS
2	ECO-02838	4/20/2010	FED

Bill of Material						
ITEM	PART NUMBER	STOCK NUMBER	QTY	DESCRIPTION	FILE NAME	REVISION
1	3002E24X100		1	PLEXIGLASS ENHANCED DOOR, 30"H x 24"W 'E', VENDOR LEVEL ASSEMBLY	I001570.iam	1
2	MESH300E24		1	MESH PANEL FOR 30"H x 24"W ENHANCED DOOR	I001622.ipt	1
3	H02-006	H02-006	8	#10-32 ACORN NUT NYLON BLACK	0501032LCNBLK.ipt	
4	MESHWSHR		12	MESH PANEL WASHER 70 DUROMETER NEOPRENE	MESHWSHR.ipt	5

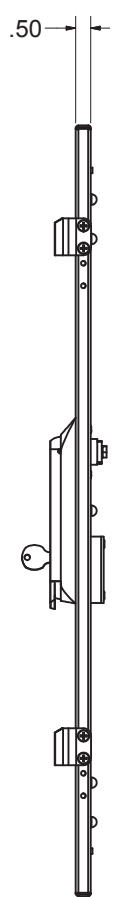


TOP VIEW



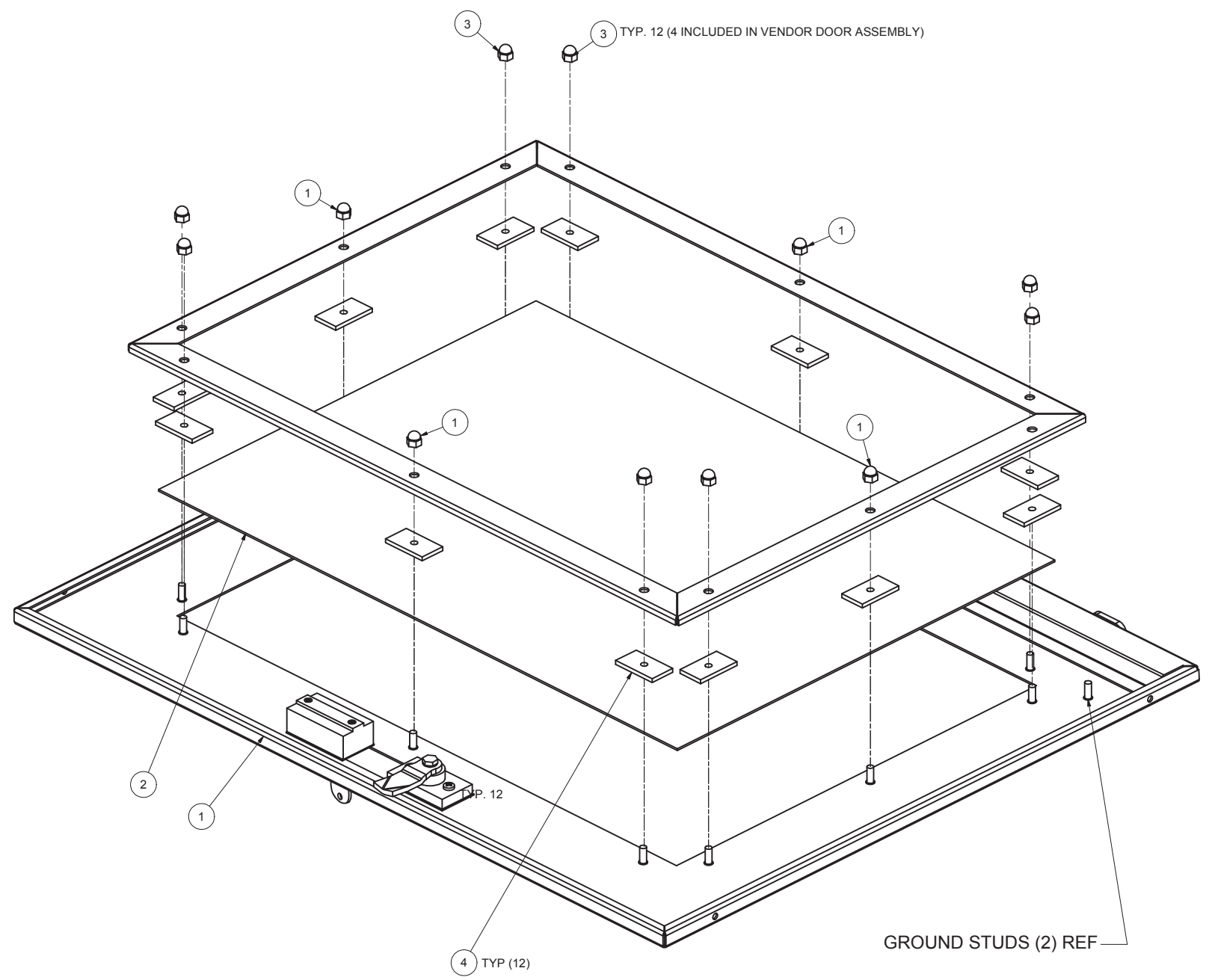
FRONT VIEW

REVERSIBLE HANDLE & HINGES ALLOW THE DOOR TO BE EITHER LEFT OR RIGHT HAND HINGED



HINGED SIDE VIEW

STANDARD SWING HANDLE w/ KEYED LOCK - OPTIONAL HANDLES ARE AVAILABLE



3 TYP. 12 (4 INCLUDED IN VENDOR DOOR ASSEMBLY)

4 TYP (12)

GROUND STUDS (2) REF

INTERPRET DRAWING PER ASME Y14.5M-1994
EXPLODED ISO VIEW
DRAWING NOT TO SCALE
TOLERANCE UNLESS OTHERWISE NOTED:
ANGULAR +/- .1
.XXXX +/- .010
.XXX +/- .015
.XX +/- .030
.X FOR REF. ONLY
UNLESS OTHERWISE SPECIFIED ALL DIMENSIONS ARE IN INCHES

NOTICE:
Use of this document is subject to a confidentiality and nondisclosure agreement with Great Lakes Case & Cabinet Co., Inc. (GLCC) and may not be reproduced, disclosed or utilized in whole or in part without prior written authorization from GLCC.

PART NUMBER:	3002EM24
QTY PER UNIT:	1
MATERIAL TYPE:	CRS
MATERIAL GAUGE:	#16 GA
FINISH:	BLACK POWDERCOAT
DRAWN:	WSS
CHECKED & APP.:	CA
DATE:	8/5/2003

TITLE:	MESH DOOR FOR 30"H x 24"W 'E' ASSEMBLY
GREAT LAKES CASE & CABINET CO., INC.	
P.O. BOX 551 EDINBORO, PA 16412	
PHONE (814) 734-7303 FAX (814) 734-3907	
E-MAIL glcc@greatcabinets.com	
DWG NO:	I001621
REV:	2
SHEET:	1 OF 1

2 REDESIGNED & REDRAWN



THIRD ANGLE PROJECTION