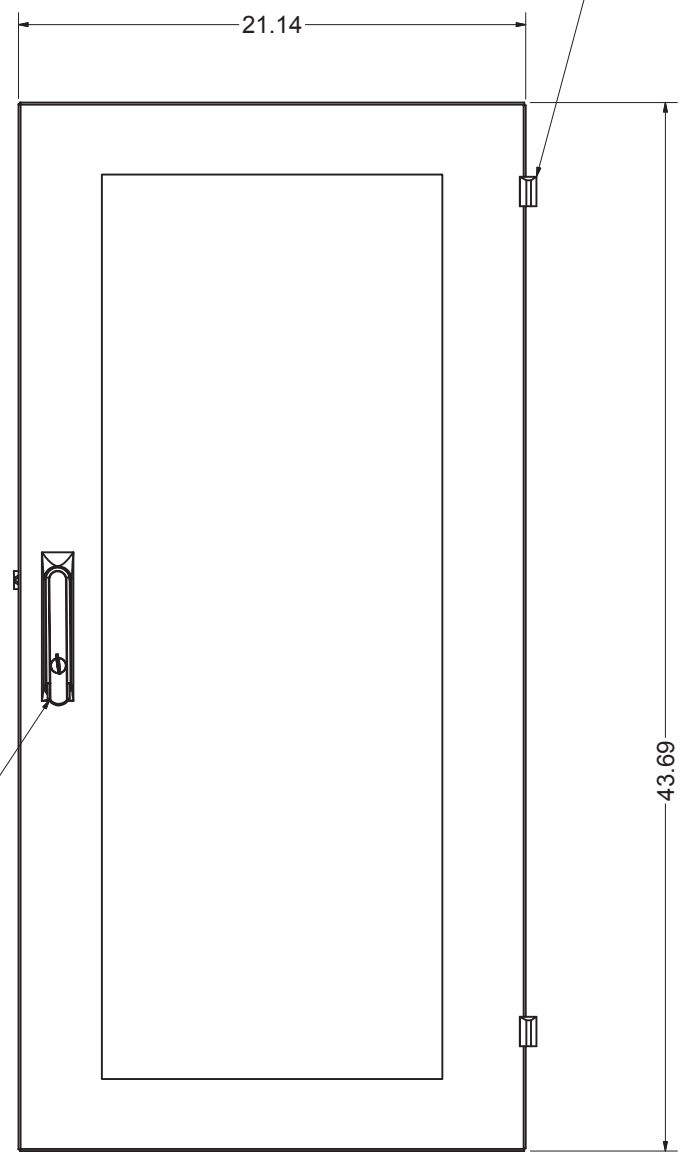


REVISION HISTORY			
REV	DESCRIPTION	DATE	APPROVED
0	ECO-01282	88/2003	WSS
1	ECO-01954	5/24/2007	WSS
2	ECO-02838	4/19/2010	FED

				Bill of Material		FILE NAME	REVISION
ITEM	PART NUMBER	STOCK NUMBER	QTY	DESCRIPTION			
1	4802E24X100		1	PLEXIGLASS ENHANCED DOOR, 48"H x 24"W 'E', VENDOR LEVEL ASSEMBLY		I001410.iam	2
2	MESH480E24		1	MESH PANEL FOR 48"H x 24"W ENHANCED DOOR		I001627.ipt	1
3	H02-006	H02-006	12	#10-32 ACORN NUT NYLON BLACK		0501032LCNBLK.ipt	
4	MESHWSHR		16	MESH PANEL WASHER 70 DUROMETER NEOPRENE		MESHWSHR.ipt	5



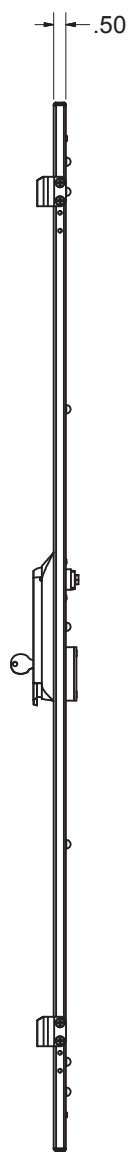
TOP VIEW



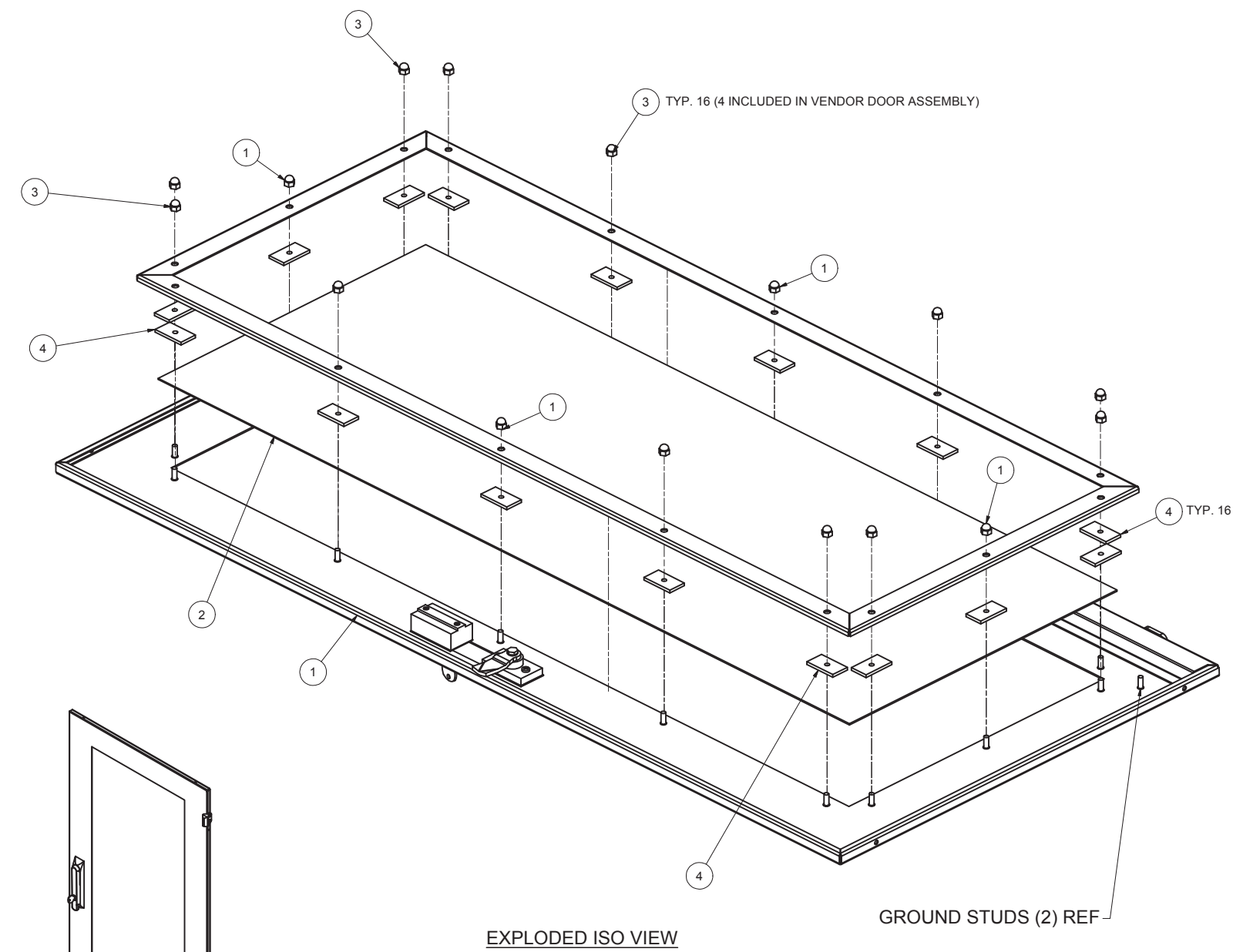
FRONT VIEW

STANDARD SWING HANDLE w/ KEYED LOCK - OPTIONAL HANDLES ARE AVAILABLE

REVERSIBLE HANDLE & HINGES ALLOW THE DOOR TO BE EITHER LEFT OR RIGHT HAND HINGED



HINGED SIDE VIEW



EXPLODED ISO VIEW

GROUND STUDS (2) REF

INTERPRET DRAWING PER ASME Y14.5M-1994
DIMENSIONAL LIMITS APPLY AFTER APPLICATION OF FINISH
DRAWING NOT TO SCALE
TOLERANCE UNLESS OTHERWISE NOTED:
ANGULAR +/- .1
.XXXX +/- .010
.XXX +/- .015
.XX +/- .030
.X FOR REF. ONLY
UNLESS OTHERWISE SPECIFIED ALL DIMENSIONS ARE IN INCHES

**NOTICE:**  
Use of this document is subject to a confidentiality and nondisclosure agreement with Great Lakes Case & Cabinet Co., Inc. (GLCC) and may not be reproduced, disclosed or utilized in whole or in part without prior written authorization from GLCC.

PART NUMBER: <b>4802EM24</b>
QTY PER UNIT: 1
MATERIAL TYPE: CRS
MATERIAL GAUGE: <b>#16 GA</b>
FINISH: BLACK POWDERCOAT
DRAWN WSS
CHECKED & APP. CA
DATE 8/8/2003
DATE 8/8/2003

TITLE <b>MESH DOOR FOR 48"H x 24"W 'E' ASSEMBLY</b>
GREAT LAKES CASE & CABINET CO., INC. P.O. BOX 551 EDINBORO, PA 16412 PHONE (814) 734-7303 FAX (814) 734-3907 E-MAIL glcc@greatcabinets.com
DWG NO: <b>1001626</b>
REV <b>2</b>
SHEET: 1 OF 1

