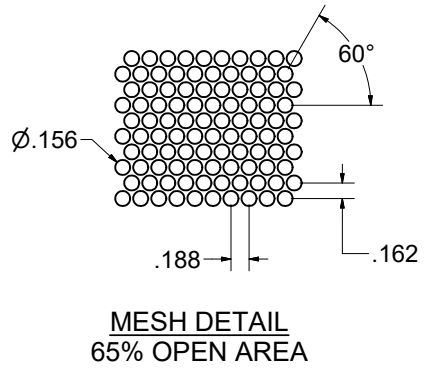
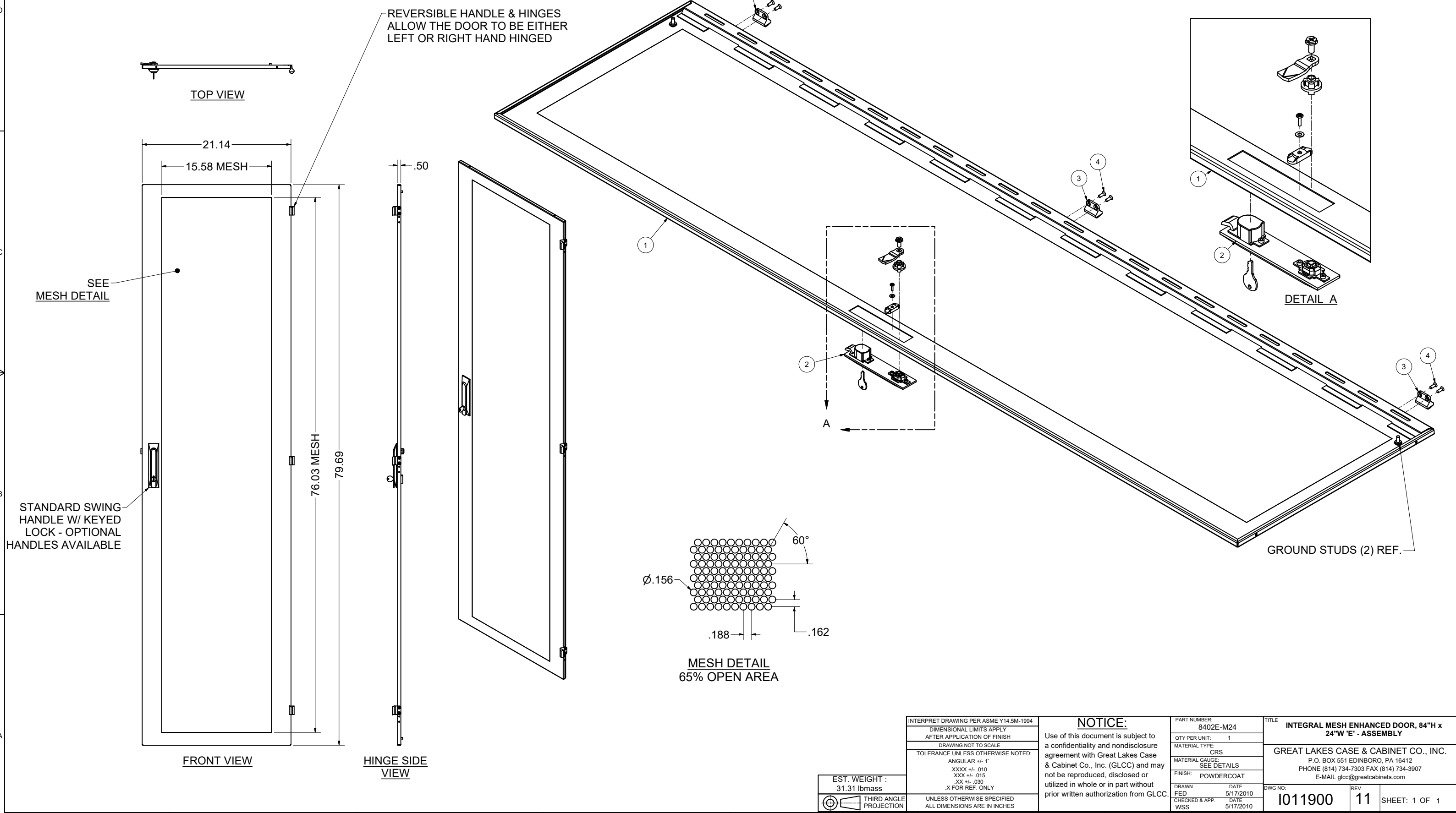


REVISION HISTORY			
REV	DESCRIPTION	DATE	APPROVED
7	ECO-02866	5/17/2010	FED
8	ECO-03026	10/15/2010	FED
9	ECO-03432	12/8/2011	FED
10	ECO-03525	3/29/2012	FED
11	ECO-03835	3/21/2013	FED

Bill of Material						
ITEM	PART NUMBER	STOCK NUMBER	QTY	DESCRIPTION	FILE NAME	REVISION
1			1	INTEGRAL MESH ENHANCED DOOR, 84"H X 24"W 'E' - WELDMENT & DETAILS	I011901.iam	2
2	XHGLCC	H19-001	1	GLCC Swing Handle 'Penn Lock' 407-9302-15-0416-19 (Key #1333) w/ CAM (OR EQUIV.)	H19-001.iam	
3	HINGEF	H20-023	3	HINGE GLCC - FEMALE	I000535.ipt	2
4	SCR1032X500FHBLK23	H01-156	6	SCREW, 10-32x1/2" PH FLAT TYPE 23 BLACK OXIDE/WAX RoHS	SCR1032X500FHBLK23.ipt	



EST. WEIGHT :  
31.31 lbmass

INTERPRET DRAWING PER ASME Y14.5M-1994  
DIMENSIONAL LIMITS APPLY  
AFTER APPLICATION OF FINISH  
DRAWING NOT TO SCALE  
TOLERANCE UNLESS OTHERWISE NOTED:  
ANGULAR +/- .1°  
.XXXX +/- .010  
.XXX +/- .015  
.XX +/- .030  
.X FOR REF. ONLY  
UNLESS OTHERWISE SPECIFIED  
ALL DIMENSIONS ARE IN INCHES

**NOTICE:**  
Use of this document is subject to a confidentiality and nondisclosure agreement with Great Lakes Case & Cabinet Co., Inc. (GLCC) and may not be reproduced, disclosed or utilized in whole or in part without prior written authorization from GLCC.

PART NUMBER:  
8402E-M24  
QTY PER UNIT: 1  
MATERIAL TYPE:  
CRS  
MATERIAL GAUGE:  
SEE DETAILS  
FINISH:  
POWDERCOAT  
DRAWN DATE: 5/17/2010  
FED DATE: 5/17/2010  
CHECKED & APP. DATE: 5/17/2010  
WSS

TITLE  
**INTEGRAL MESH ENHANCED DOOR, 84"H x 24"W 'E' - ASSEMBLY**  
GREAT LAKES CASE & CABINET CO., INC.  
P.O. BOX 551 EDINBORO, PA 16412  
PHONE (814) 734-7303 FAX (814) 734-3907  
E-MAIL glcc@greatcabinets.com  
DWG NO:  
**1011900**  
REV  
**11**  
SHEET: 1 OF 1