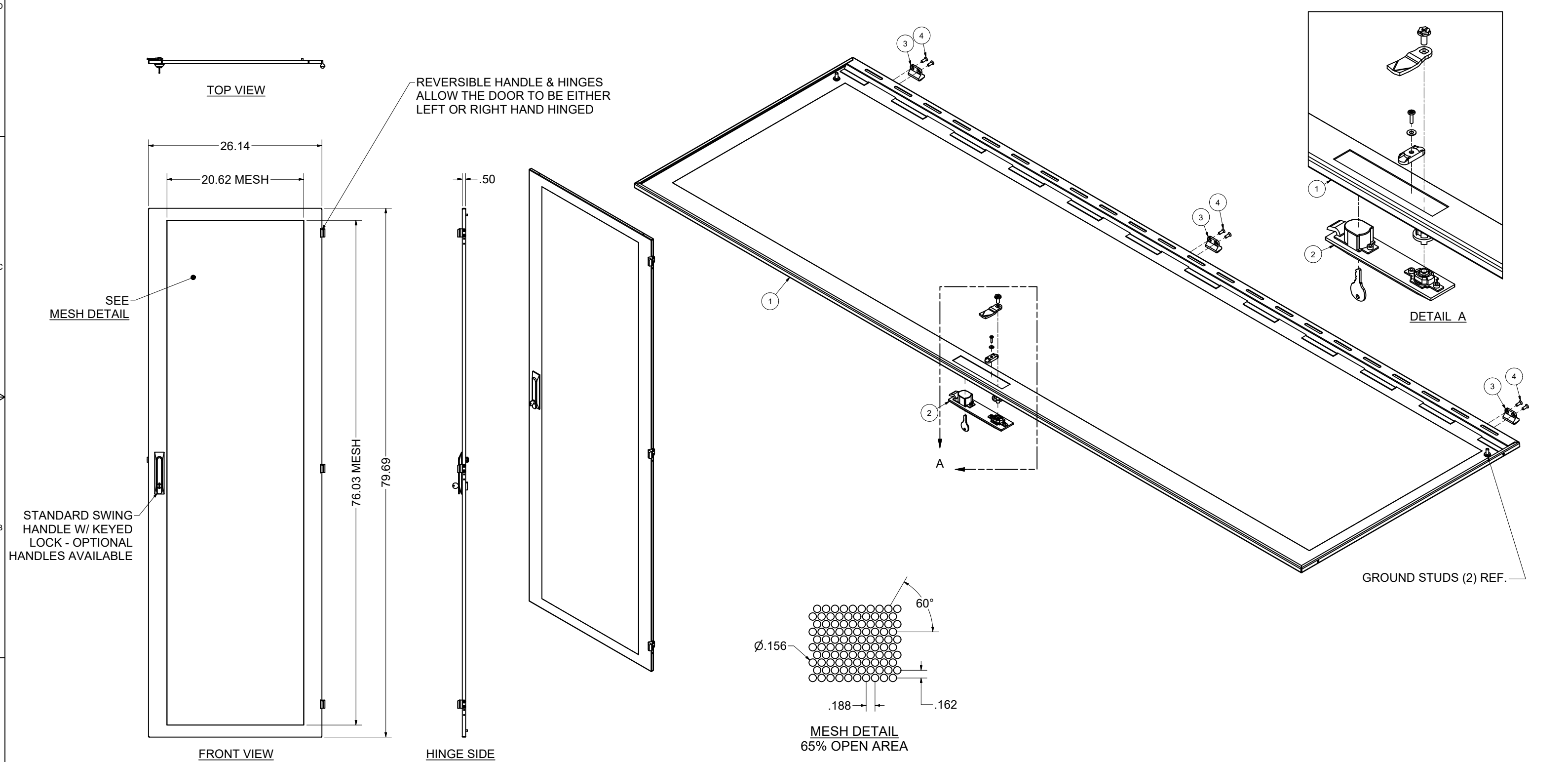


REVISION HISTORY			
REV	DESCRIPTION	DATE	APPROVED
7	ECO-02866	5/14/2010	FED
8	ECO-03026	10/15/2010	FED
9	ECO-03432	12/8/2011	FED
10	ECO-03525	3/29/2012	FED
11	ECO-03835	3/20/2013	FED

Bill of Material					DESCRIPTION	FILE NAME	REVISION
1			1		INTEGRAL MESH ENHANCED DOOR, 84"H X 29"W 'E' - WELDMENT & DETAILS	I011903.iam	2
2	XHGLCC	H19-001	1		GLCC Swing Handle 'Penn Lock' 407-9302-15-0416-19 (Key #1333) w/ CAM (OR EQUIV.)	H19-001.iam	
3	HINGEF	H20-023	3		HINGE GLCC - FEMALE	I000535.ipt	2
4	SCR1032X500FHBLK23	H01-156	6		SCREW, 10-32x1/2" PH FLAT TYPE 23 BLACK OXIDE/WAX RoHS	SCR1032X500FHBLK23.ipt	



EST. WEIGHT :
37.75 lbmass

INTERPRET DRAWING PER ASME Y14.5M-1994
DIMENSIONAL LIMITS APPLY
AFTER APPLICATION OF FINISH
DRAWING NOT TO SCALE
TOLERANCE UNLESS OTHERWISE NOTED:
ANGULAR +/- .1°
.XXXX +/- .010
.XXX +/- .015
.XX +/- .030
.X FOR REF. ONLY
UNLESS OTHERWISE SPECIFIED
ALL DIMENSIONS ARE IN INCHES

NOTICE:
Use of this document is subject to a confidentiality and nondisclosure agreement with Great Lakes Case & Cabinet Co., Inc. (GLCC) and may not be reproduced, disclosed or utilized in whole or in part without prior written authorization from GLCC.

PART NUMBER: 8402E-M29
QTY PER UNIT: 1
MATERIAL TYPE: CRS
MATERIAL GAUGE: SEE DETAILS
FINISH: POWDERCOAT
DRAWN: DATE 5/14/2010
FED: DATE 5/14/2010
CHECKED & APP. WSS

TITLE: INTEGRAL MESH ENHANCED DOOR, 84"H x 29"W 'E' - ASSEMBLY
GREAT LAKES CASE & CABINET CO., INC.
P.O. BOX 551 EDINBORO, PA 16412
PHONE (814) 734-7303 FAX (814) 734-3907
E-MAIL glcc@greatcabinets.com
DWG NO: 1011902
REV: 11
SHEET: 1 OF 1