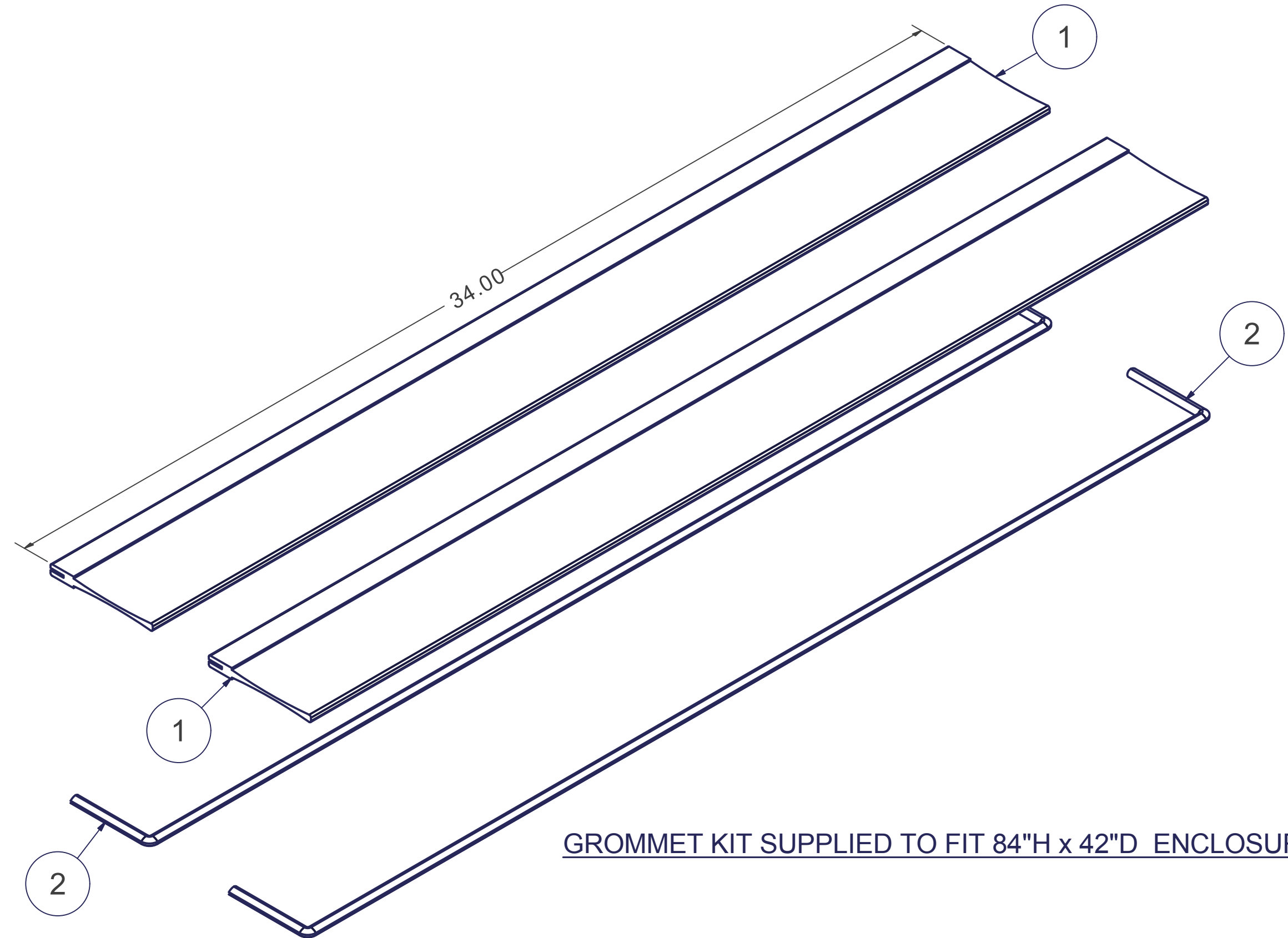


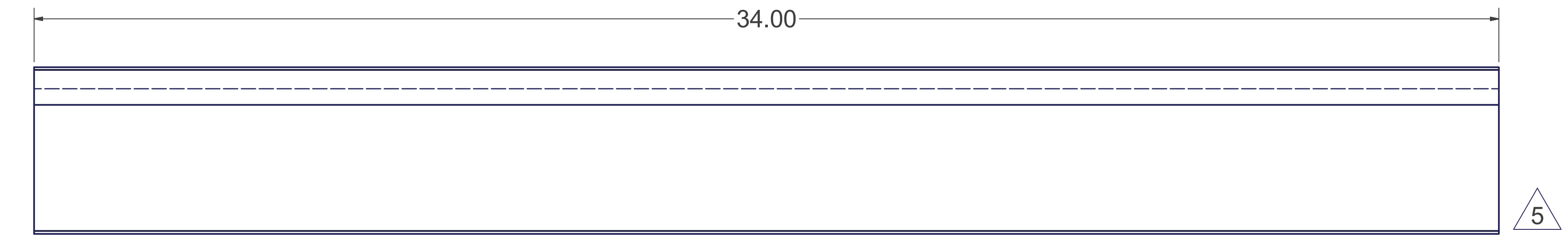
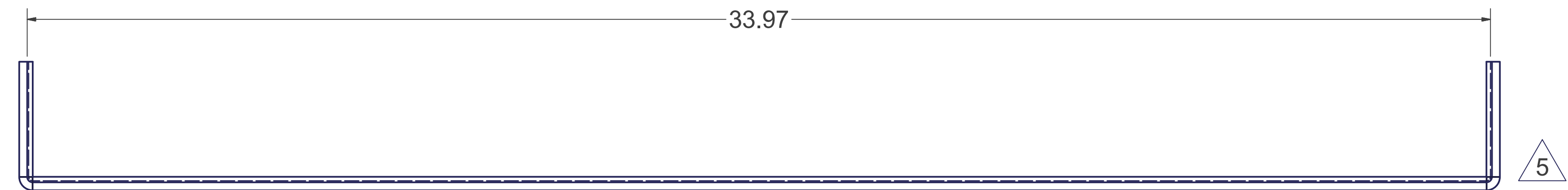
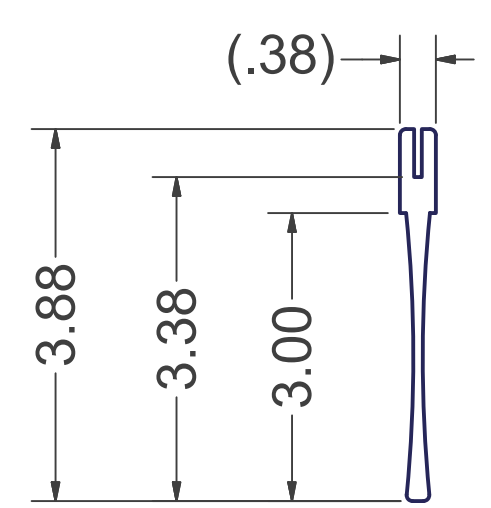
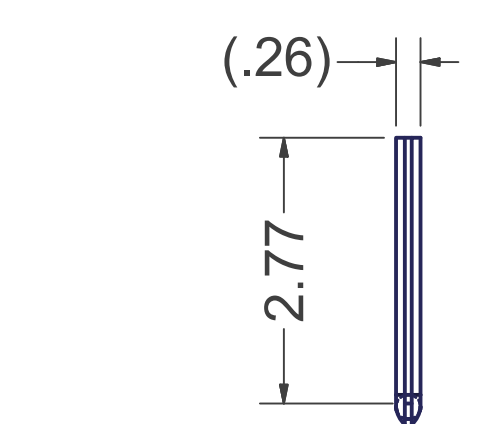
REVISION HISTORY			
REV	ECO NUMBER	DATE	APPROVED
0	ECO-02112	12/14/2007	JL
1	ECO-02137	1/22/2008	JL
2	ECO-02291	6/10/2008	JL
3	ECO-02295	6/11/2008	JL
4	ECO-06577	6/2/2015	FED
5	ECO-06687	9/25/2015	VL

Bill of Material						
ITEM	PART NUMBER	STOCK NUMBER	QTY	DESCRIPTION	FILE NAME	REV
1	FPVC123072(34)		2	BRUSH STRIP, FLEXIBLE PVC, 3" TRIM, CUT 34" LG. (TANIS INC.)	FPVC123072(34).ipt	-
2	X1002		2	'TRIM-LOK' EDGE GROMMET, NEOPRENE RUBBER - CUT TO 39.50"L	EDGE-GASKET-39-5.ipt	0
3	I005941-PRINT		1	COPY OF THIS DRAWING I005941	I005941.idw	



NOTE:

1.) TWO PIECES OF 34" LONG BRUSH GROMMET, TWO PIECES OF 39-1/2" LONG EDGE GROMMETING AND A COPY OF THIS DRAWING ARE TO BE PLACED IN A CORRUGATED PACK.



EST. WEIGHT :
1.92 lbmass



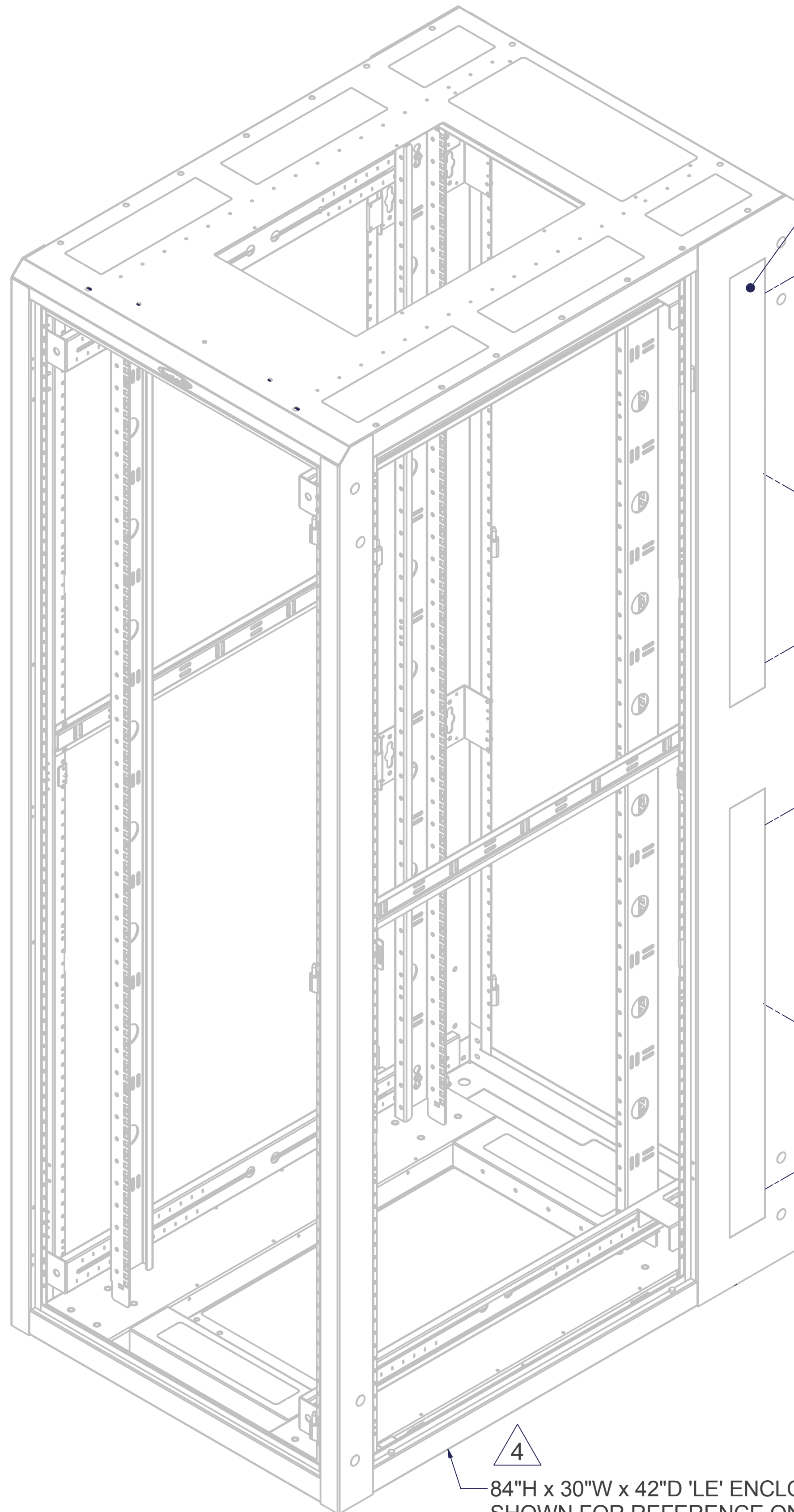
INTERPRET DRAWING PER ASME Y14.5M-1994
DIMENSIONAL LIMITS APPLY
AFTER APPLICATION OF FINISH
DRAWING NOT TO SCALE
TOLERANCE UNLESS OTHERWISE NOTED:
ANGULAR +/- 1'
.XXXX +/- .010
.XXX +/- .015
.XX +/- .030
.X FOR REF. ONLY
UNLESS OTHERWISE SPECIFIED
ALL DIMENSIONS ARE IN INCHES

NOTICE:
Use of this document is subject to a confidentiality and nondisclosure agreement with Great Lakes Case & Cabinet Co., Inc. (GLCC) and may not be reproduced, disclosed or utilized in whole or in part without prior written authorization from GLCC.

PART NUMBER:
BGS84X200
QTY PER UNIT: 1
MATERIAL TYPE:
SEE PARTS LIST
MATERIAL GAUGE:
FINISH:
DRAWN JL DATE 12/14/2007
CHECKED & APP. WSS DATE 12-14-07

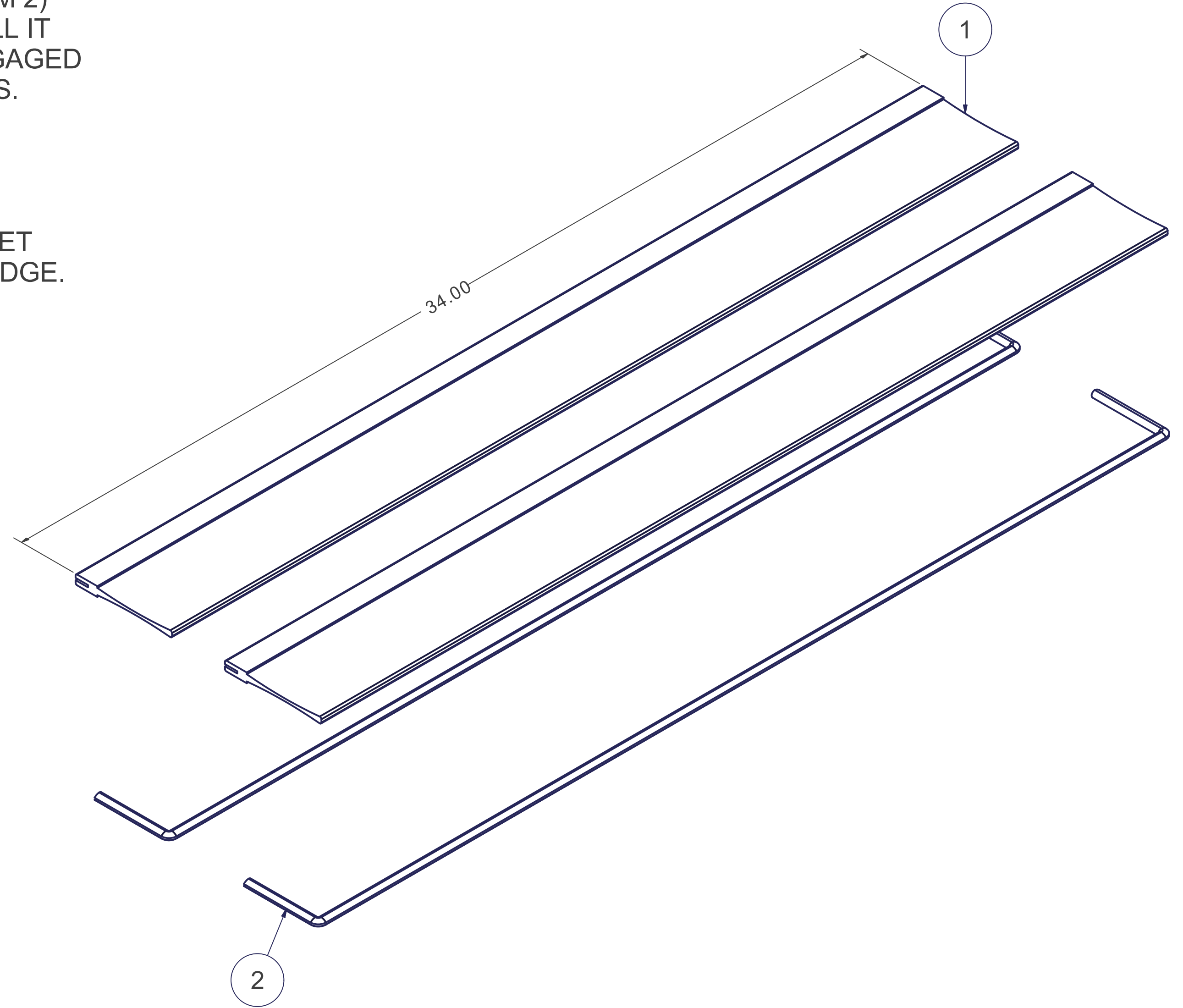
TITLE
BRUSH GROMMET SIDE PASS THRU KIT FOR 84" H X 42" D ENCLOSURE
GREAT LAKES CASE & CABINET CO., INC.
P.O. BOX 551 EDINBORO, PA 16412
PHONE (814) 734-7303 FAX (814) 734-3907
E-MAIL glcc@greatcabinets.com
DWG NO: **I005941**
REV: **5**
SHEET: 1 OF 2

8 7 6 5 4 3 2 1



4 REMOVE ANY SIDE RECTANGULAR KNOCK-OUTS REQUIRED. CENTER THE EDGE GROMMET STRIP (ITEM 2) ALONG ONE LONG SIDE AND ROLL IT INTO POSITION UNTIL FULLY ENGAGED ALONG THREE ADJOINING EDGES.

THEN SLIDE THE BRUSH GROMMET (ITEM 1) ONTO THE REMAINING EDGE.



4 GROMMET KIT SUPPLIED TO FIT 84"H x 42"D ENCLOSURES

4 84"H x 30"W x 42"D 'LE' ENCLOSURE SHOWN FOR REFERENCE ONLY

EST. WEIGHT :
1.92 lbmass



INTERPRET DRAWING PER ASME Y14.5M-1994
DIMENSIONAL LIMITS APPLY AFTER APPLICATION OF FINISH
DRAWING NOT TO SCALE
TOLERANCE UNLESS OTHERWISE NOTED:
ANGULAR +/- 1'
.XXXX +/- .010
.XXX +/- .015
.XX +/- .030
.X FOR REF. ONLY
UNLESS OTHERWISE SPECIFIED ALL DIMENSIONS ARE IN INCHES

NOTICE:
Use of this document is subject to a confidentiality and nondisclosure agreement with Great Lakes Case & Cabinet Co., Inc. (GLCC) and may not be reproduced, disclosed or utilized in whole or in part without prior written authorization from GLCC.

PART NUMBER:
BGS84X200
QTY PER UNIT: 1
MATERIAL TYPE:
SEE PARTS LIST
MATERIAL GAUGE:
FINISH:
DRAWN: JL DATE: 12/14/2007
CHECKED & APP.: WSS DATE: 12/14/2007

TITLE: BRUSH GROMMET SIDE PASS THRU KIT FOR 84" X 42" D ENCLOSURE
GREAT LAKES CASE & CABINET CO., INC.
P.O. BOX 551 EDINBORO, PA 16412
PHONE (814) 734-7303 FAX (814) 734-3907
E-MAIL glcc@greatcabinets.com
DWG NO: 1005941
REV: 5
SHEET: 2 OF 2

8 7 6 5 4 3 2 1