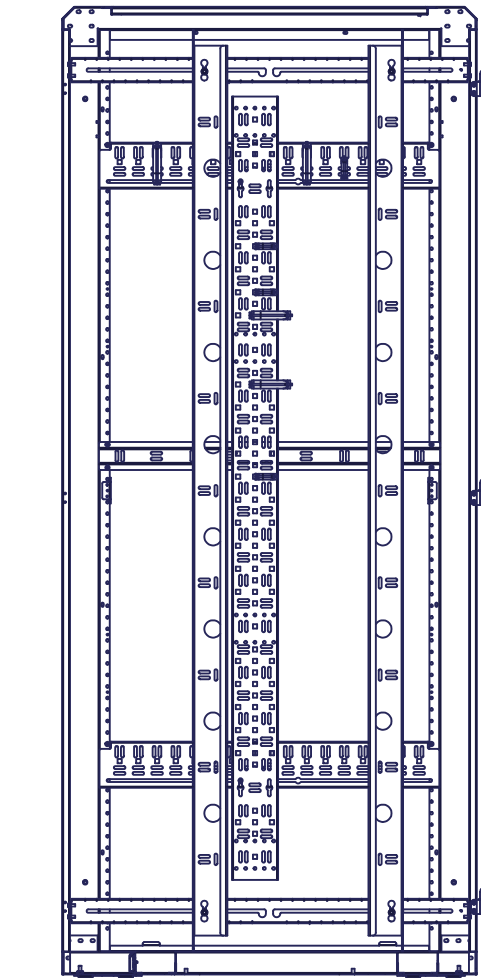
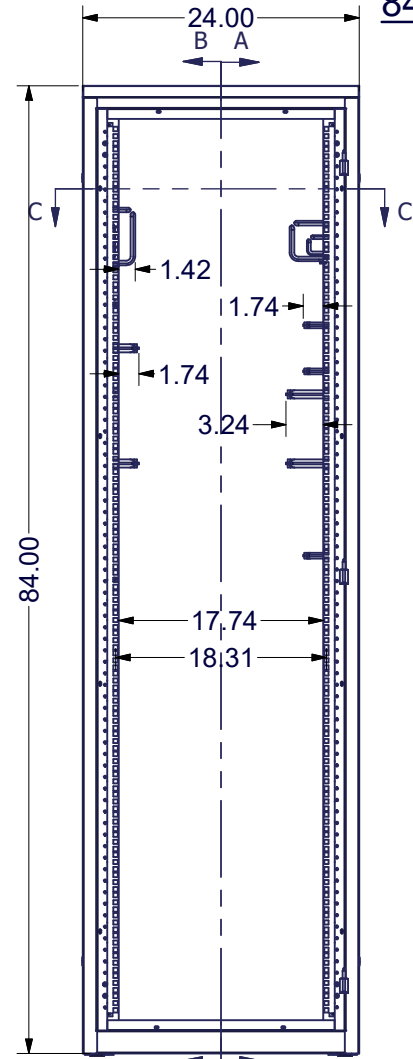


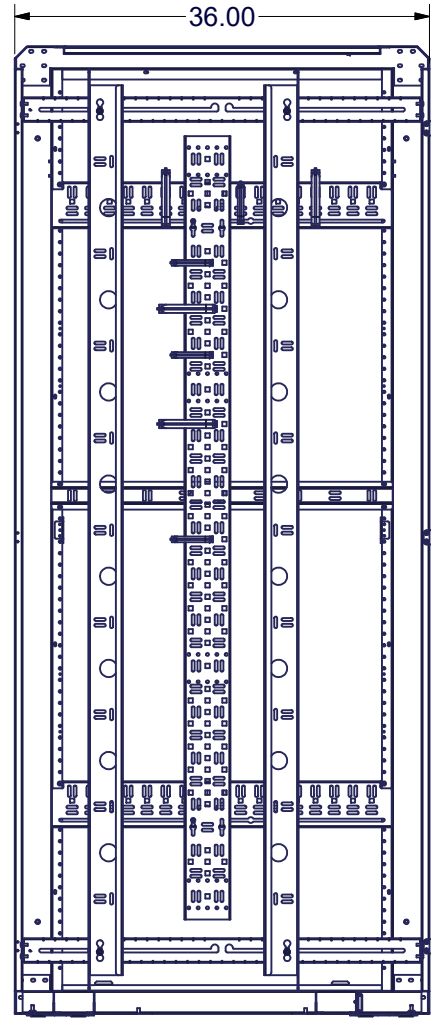
840E-2436 CABINET AND VCB8436 USED FOR REFERENCE



SECTION A-A
SHOWS HORIZONTALLY MOUNTED CM

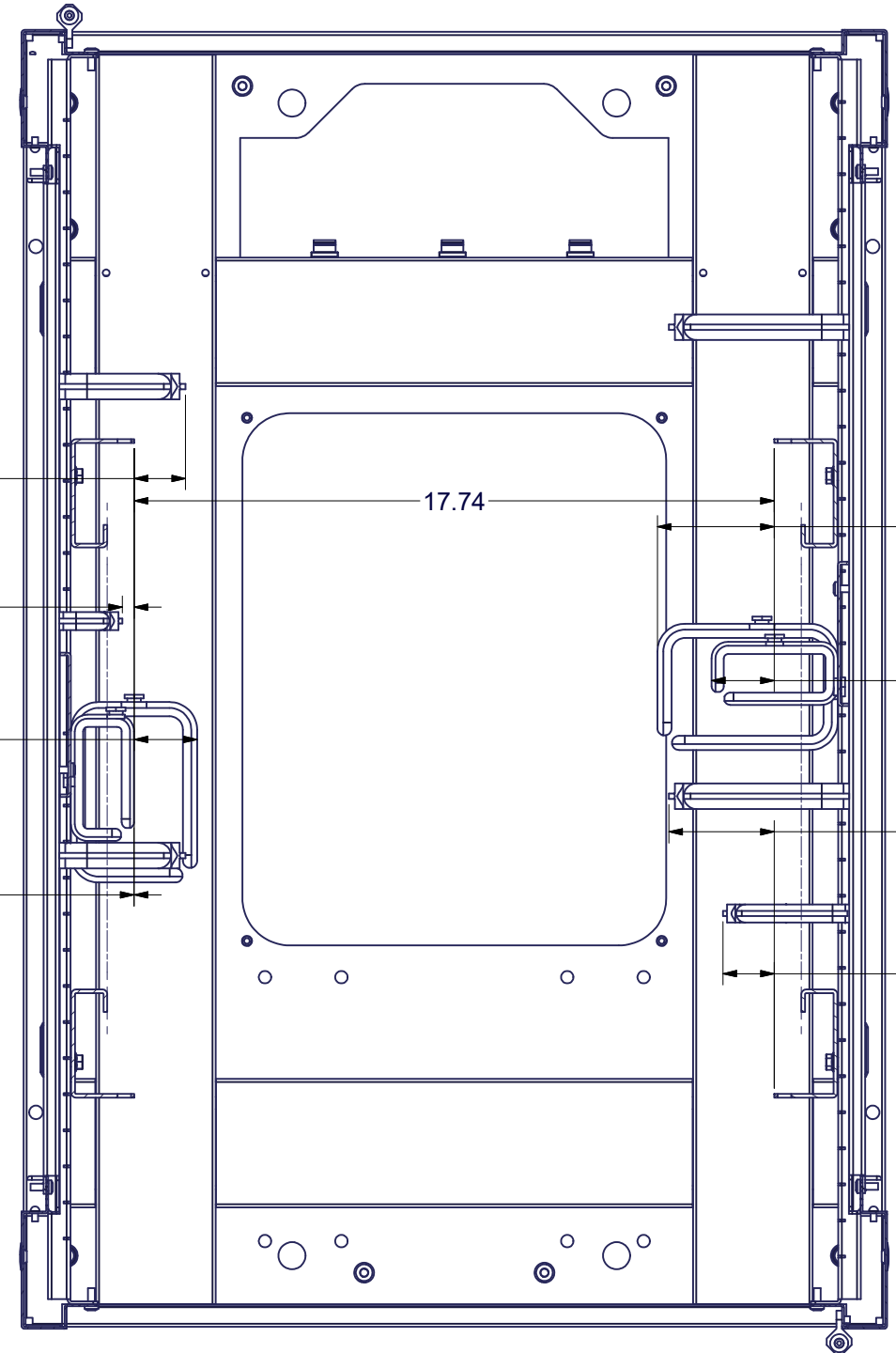


FRONT VIEW



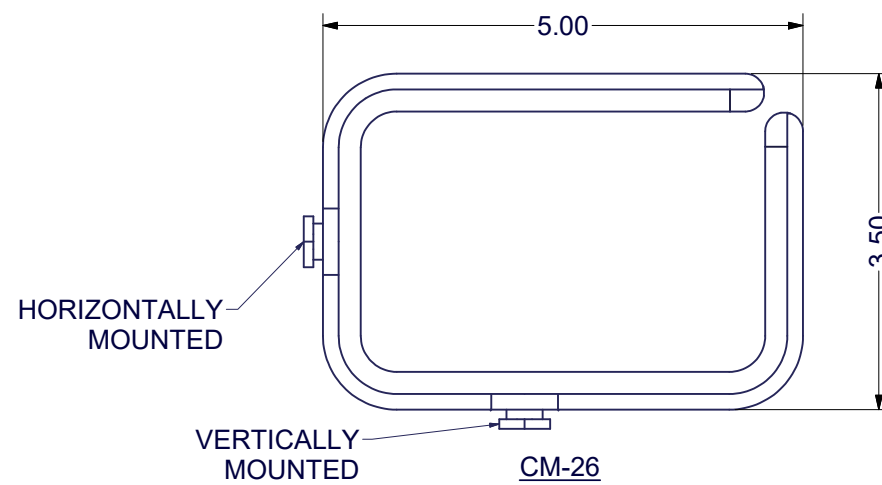
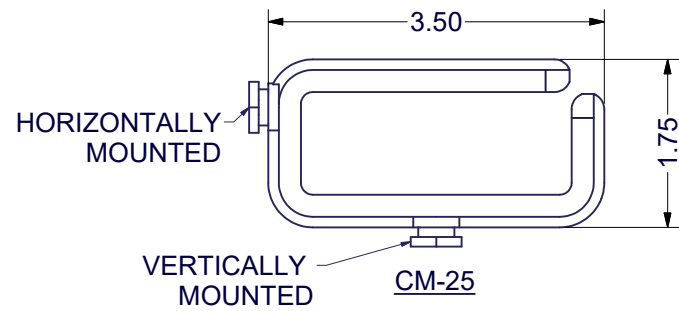
SECTION B-B
SHOWS VERTICALLY MOUNTED CM

- 1.42 VERTICALLY MOUNTED CM-26 ON HCB
- .33 VERTICALLY MOUNTED CM-25 ON HCB
- 1.74 VERTICALLY MOUNTED CM-26 ON VCB
- .010 VERTICALLY MOUNTED CM-25 ON VCB



SECTION C-C
TOP VIEW

- 3.24 HORIZONTALLY MOUNTED CM-26 ON VCB
- 1.74 HORIZONTALLY MOUNTED CM-25 ON VCB
- 2.92 HORIZONTALLY MOUNTED CM-26 ON HCB
- 1.42 HORIZONTALLY MOUNTED CM-25 ON HCB



- NOTES**
- TEST FIT FOR CM-25 AND CM-26
 - SHOWING INTERFERENCE WITH RACK PLANE WHEN THE CABLE MANAGEMENT IS MOUNTED ONTO THE VCB8436 IN A 840E-2436
 - WHEN THE CM-25 IS VERTICALLY MOUNTED IT WILL FIT WITHOUT INTERFERING THE RACK PLANE ANY OTHER ORIENTATION WILL INTERFERE WITH THE RACK PLANE

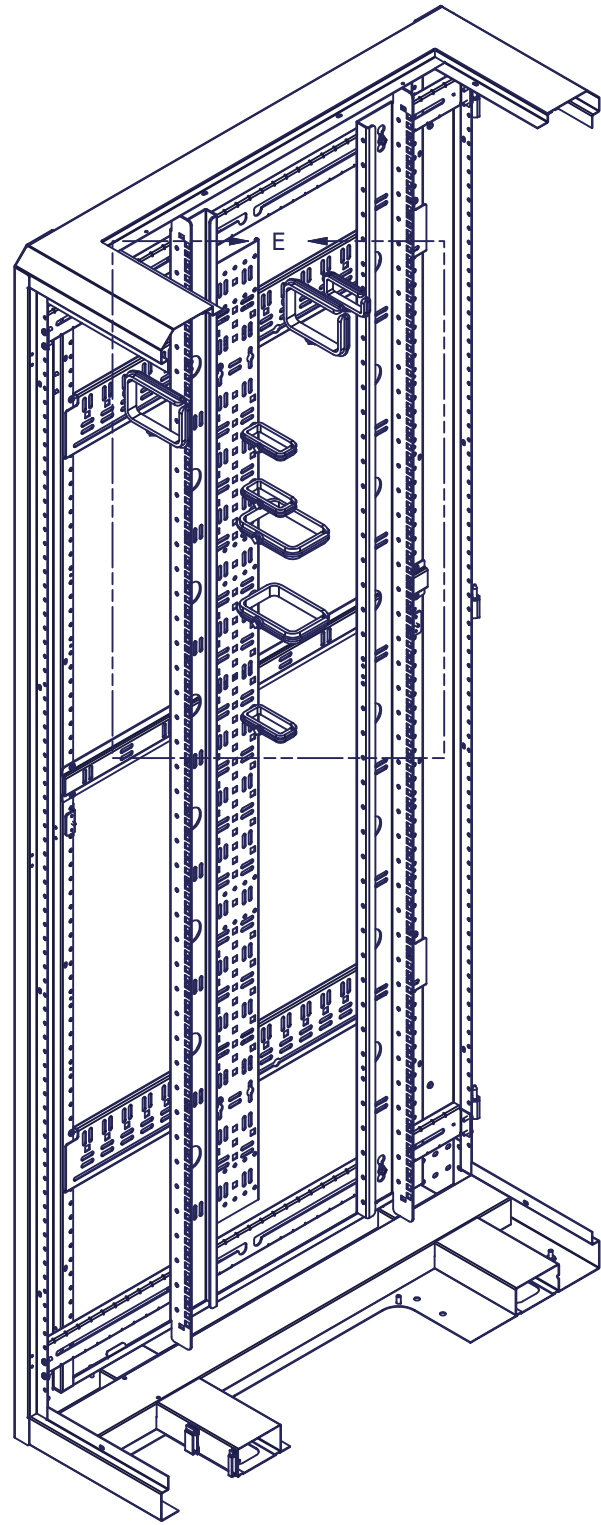
EST. WEIGHT :
N/A

INTERPRET DRAWING PER ASME Y14.5M-1994
DIMENSIONAL LIMITS APPLY AFTER APPLICATION OF FINISH
DRAWING NOT TO SCALE
TOLERANCE UNLESS OTHERWISE NOTED:
ANGULAR +/- .1°
.XXXX +/- .010
.XXX +/- .015
.XX +/- .030
.X FOR REF. ONLY
UNLESS OTHERWISE SPECIFIED ALL DIMENSIONS ARE IN INCHES

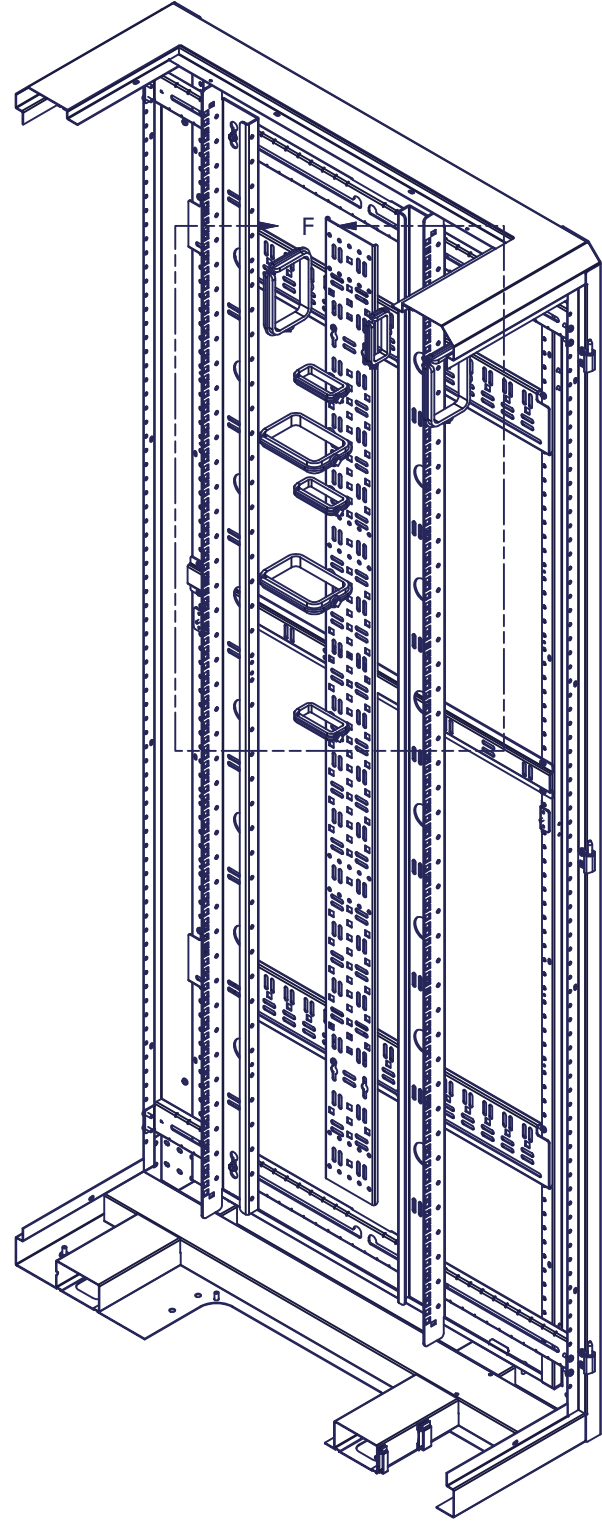
NOTICE:
Use of this document is subject to a confidentiality and nondisclosure agreement with Great Lakes Case & Cabinet Co., Inc. (GLCC) and may not be reproduced, disclosed or utilized in whole or in part without prior written authorization from GLCC.

PART NUMBER:
D RINGS TEST FIT
MATERIAL TYPE:
SEE DETAIL
MATERIAL GAUGE:
FINISH:
SEE DETAIL
DRAWN
DRB
CHECKED & APP. DATE

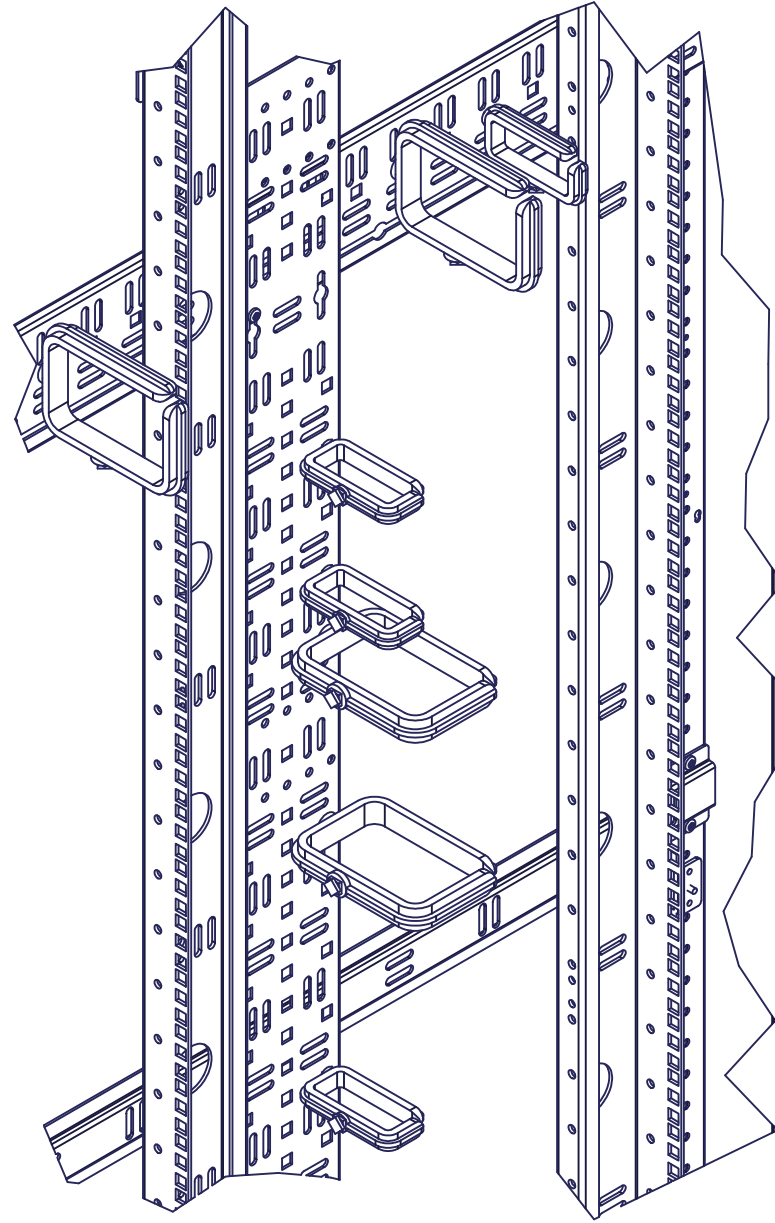
TITLE
VCB8436 TEST FIT WITH D RINGS IN A 840E2436
GREAT LAKES CASE & CABINET CO., INC.
P.O. BOX 551 EDINBORO, PA 16412
PHONE (814) 734-7303 FAX (814) 734-3907
E-MAIL glcc@greatcabinets.com
DWG NO:
TEST FIT
REV
0
SHEET: 1 OF 2



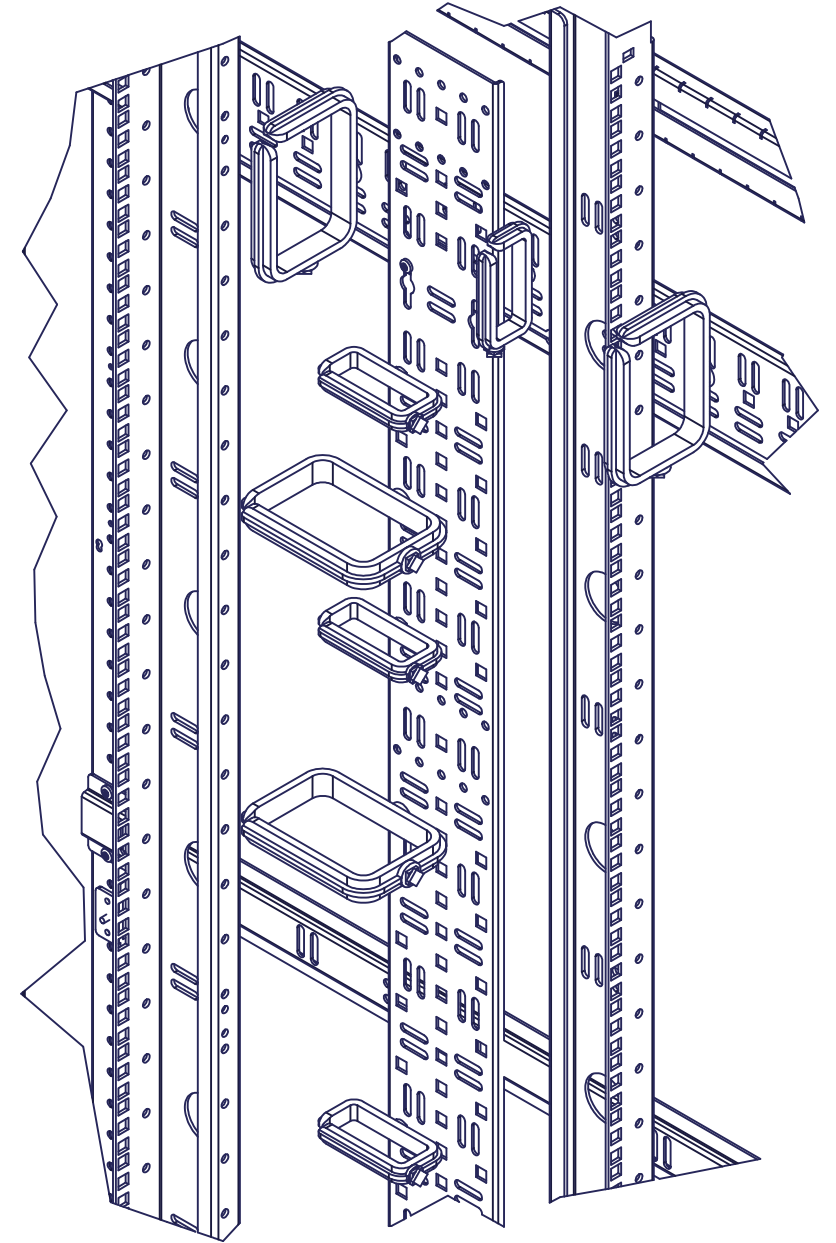
PROJECTED VIEW FROM SECTION A-A



PROJECTED VIEW FROM SECTION B-B



DETAIL E
ISOMETRIC LEFT INSIDE VIEW OF VERTICALLY MOUNTED CM



DETAIL F
ISOMETRIC RIGHT INSIDE VIEW OF HORIZONTALLY MOUNTED CM

INTERPRET DRAWING PER ASME Y14.5M-1994
 DIMENSIONAL LIMITS APPLY AFTER APPLICATION OF FINISH
 DRAWING NOT TO SCALE
 TOLERANCE UNLESS OTHERWISE NOTED:
 ANGULAR +/- .1°
 .XXXX +/- .010
 .XXX +/- .015
 .XX +/- .030
 X FOR REF. ONLY

EST. WEIGHT :
 N/A

THIRD ANGLE PROJECTION

UNLESS OTHERWISE SPECIFIED ALL DIMENSIONS ARE IN INCHES

NOTICE:

Use of this document is subject to a confidentiality and nondisclosure agreement with Great Lakes Case & Cabinet Co., Inc. (GLCC) and may not be reproduced, disclosed or utilized in whole or in part without prior written authorization from GLCC.

PART NUMBER:
D RINGS TEST FIT
 MATERIAL TYPE:
 SEE DETAIL
 MATERIAL GAUGE:
 FINISH:
 SEE DETAIL
 DRAWN DATE
 DRB 12/6/2017
 CHECKED & APP. DATE

TITLE
VCB8436 TEST FIT WITH D RINGS IN A 840E2436
 GREAT LAKES CASE & CABINET CO., INC.
 P.O. BOX 551 EDINBORO, PA 16412
 PHONE (814) 734-7303 FAX (814) 734-3907
 E-MAIL glcc@greatcabinets.com

DWG NO. TEST FIT
 REV 0
 SHEET: 2 OF 2