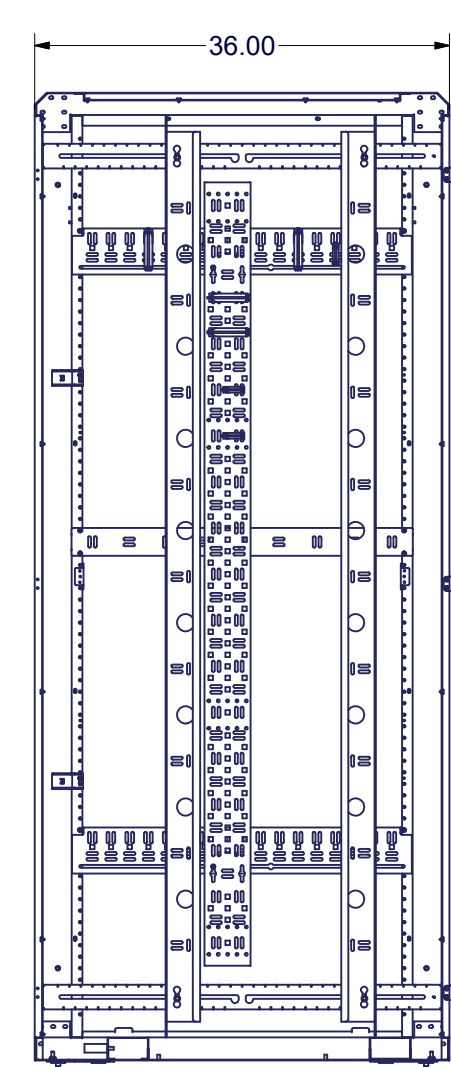
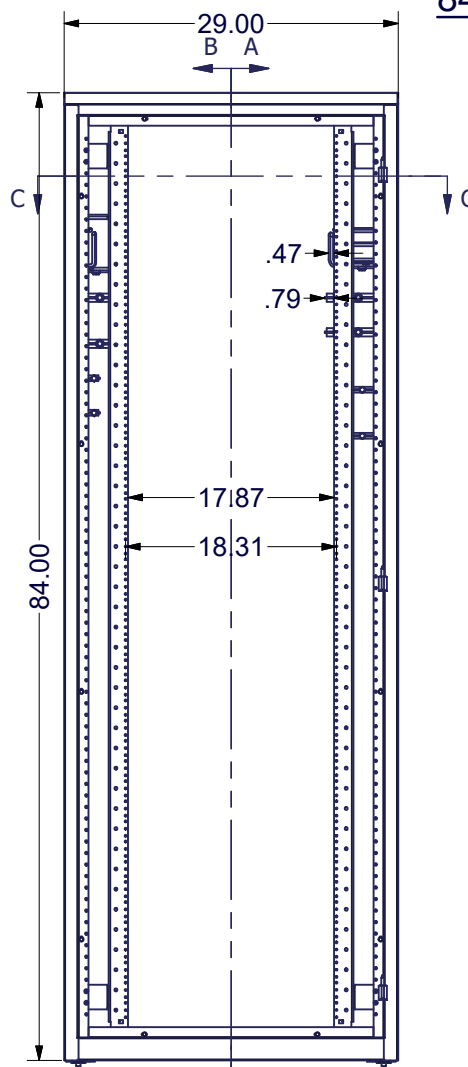


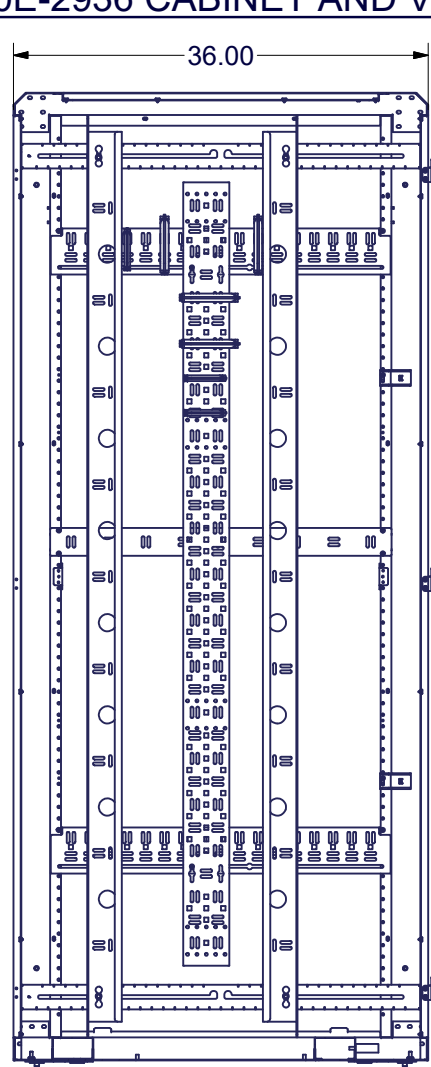
840E-2936 CABINET AND VCB8436 USED FOR REFERENCE



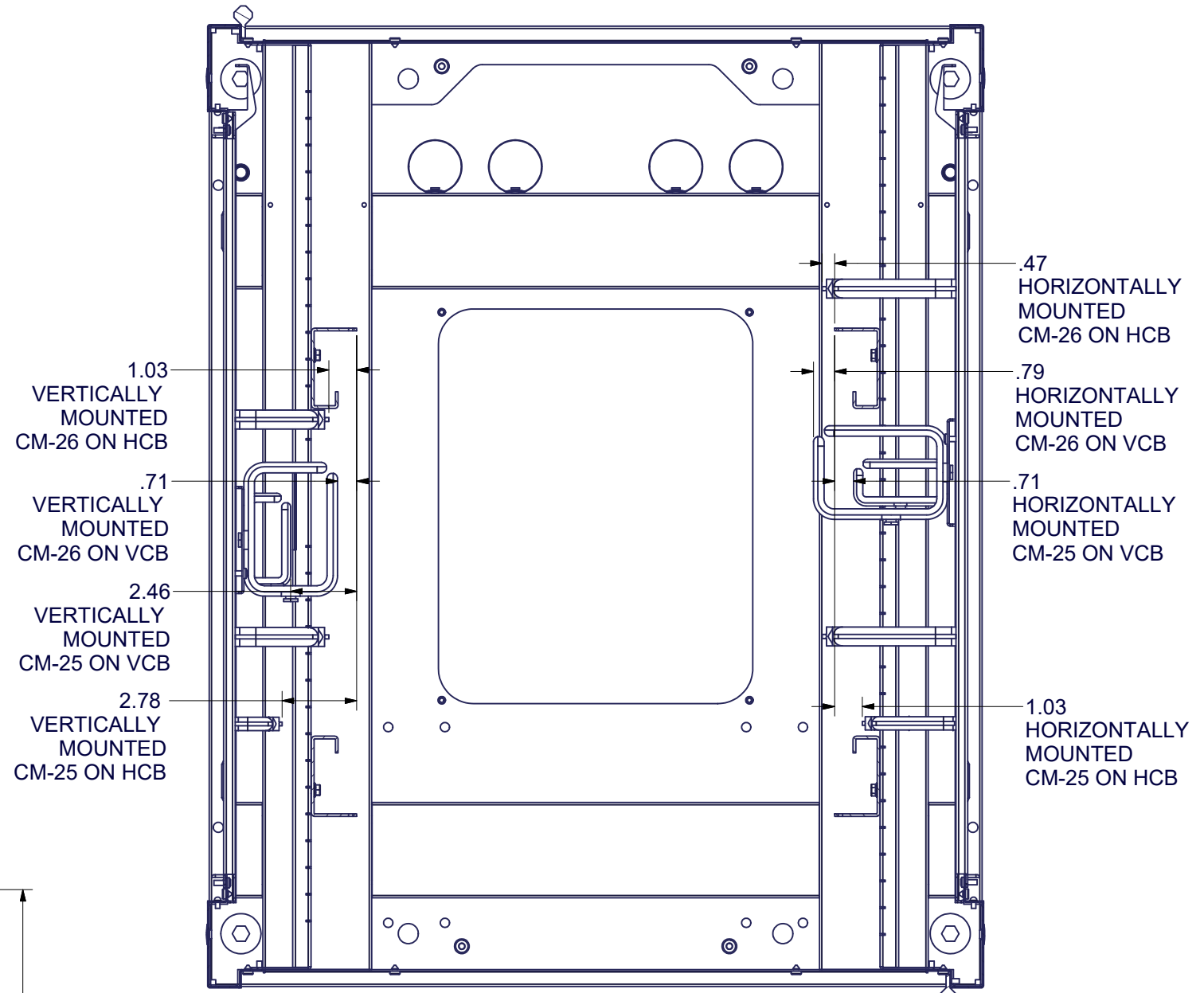
SECTION A-A  
SHOWS VERTICALLY MOUNTED CM



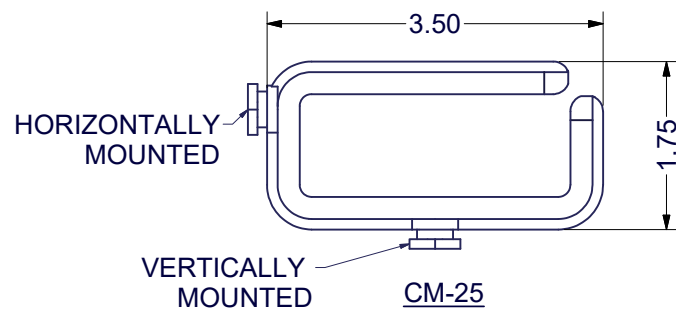
B A  
FRONT VIEW



SECTION B-B  
SHOWS VERTICALLY MOUNTED CM

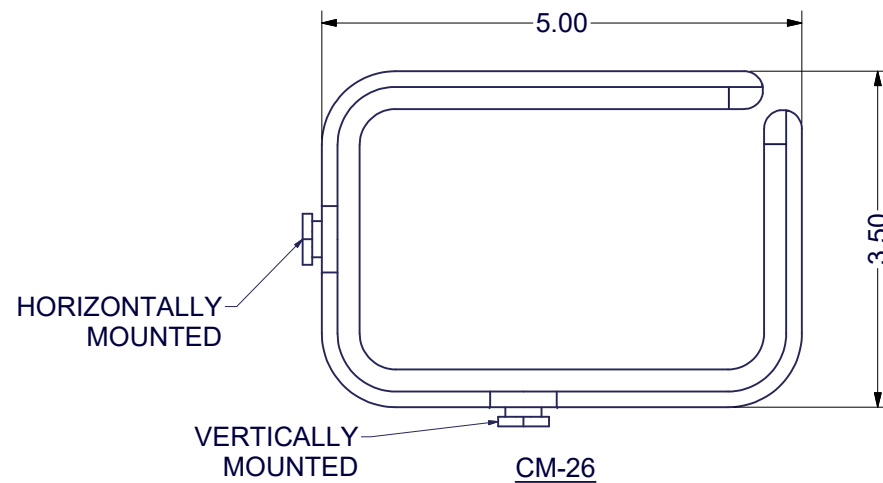


SECTION C-C  
TOP VIEW



HORIZONTALLY MOUNTED

VERTICALLY MOUNTED  
CM-25



HORIZONTALLY MOUNTED

VERTICALLY MOUNTED  
CM-26

NOTES

- TEST FIT FOR CM-25 AND CM-26
- SHOWING INTERFERENCE WITH RACK PLANE WHEN THE CABLE MANAGEMENT IS MOUNTED ONTO THE VCB8436 IN A 840E-2936
- ONLY THE CM-26 WILL INTERFERE WITH THE RACK PLANE WHEN HORIZONTALLY MOUNTED

EST. WEIGHT :  
N/A

THIRD ANGLE PROJECTION

INTERPRET DRAWING PER ASME Y14.5M-1994  
DIMENSIONAL LIMITS APPLY  
AFTER APPLICATION OF FINISH  
DRAWING NOT TO SCALE  
TOLERANCE UNLESS OTHERWISE NOTED:  
ANGULAR +/- .1°  
.XXXX +/- .010  
.XXX +/- .015  
.XX +/- .030  
.X FOR REF. ONLY

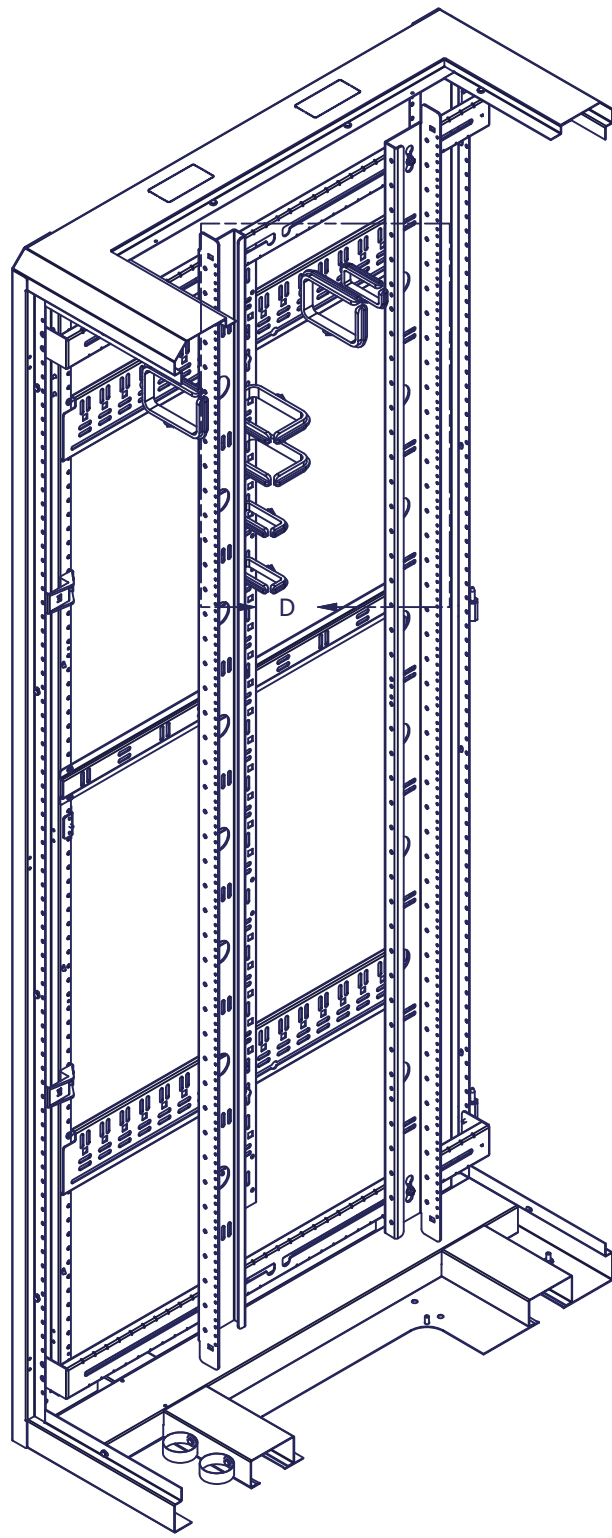
UNLESS OTHERWISE SPECIFIED  
ALL DIMENSIONS ARE IN INCHES

NOTICE:

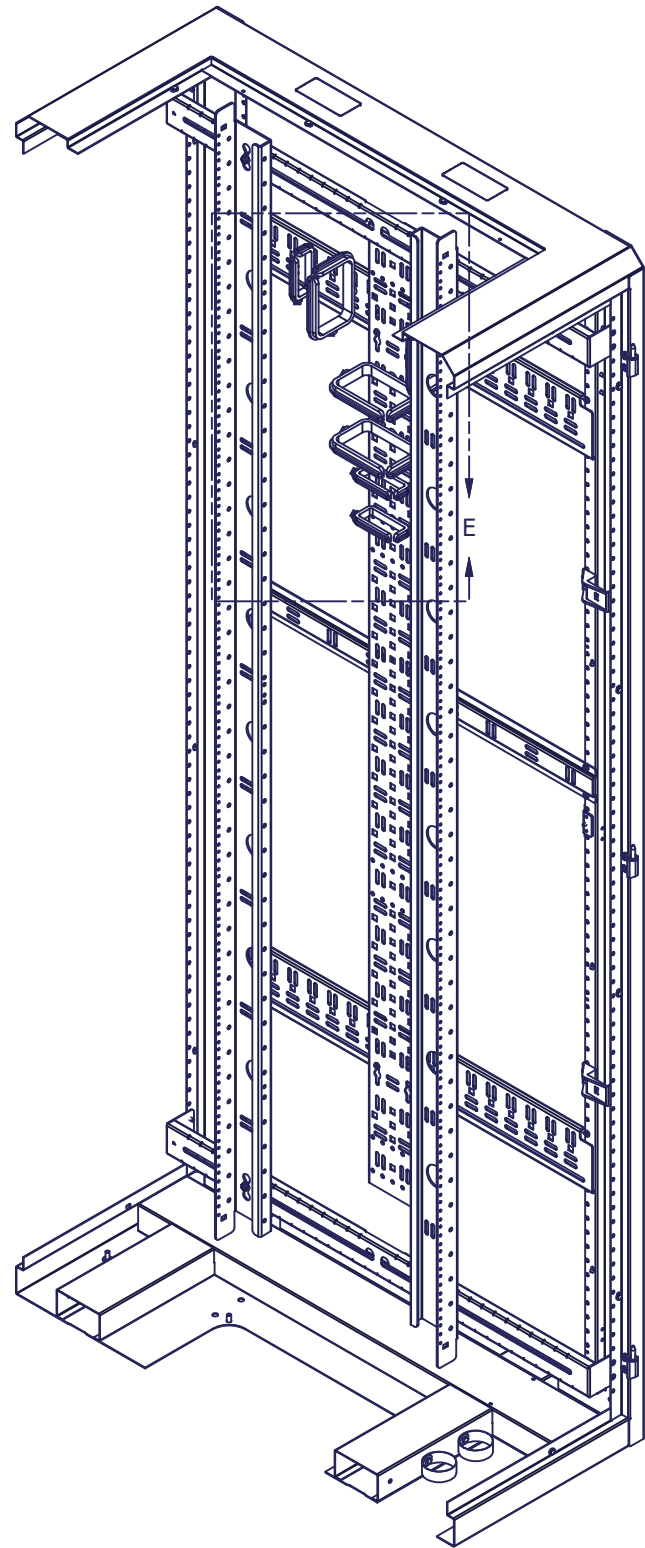
Use of this document is subject to a confidentiality and nondisclosure agreement with Great Lakes Case & Cabinet Co., Inc. (GLCC) and may not be reproduced, disclosed or utilized in whole or in part without prior written authorization from GLCC.

PART NUMBER:  
D RINGS TEST FIT  
MATERIAL TYPE:  
SEE DETAIL  
MATERIAL GAUGE:  
FINISH:  
SEE DETAIL  
DRAWN  
DRB  
CHECKED & APP.  
DATE  
12/7/2017

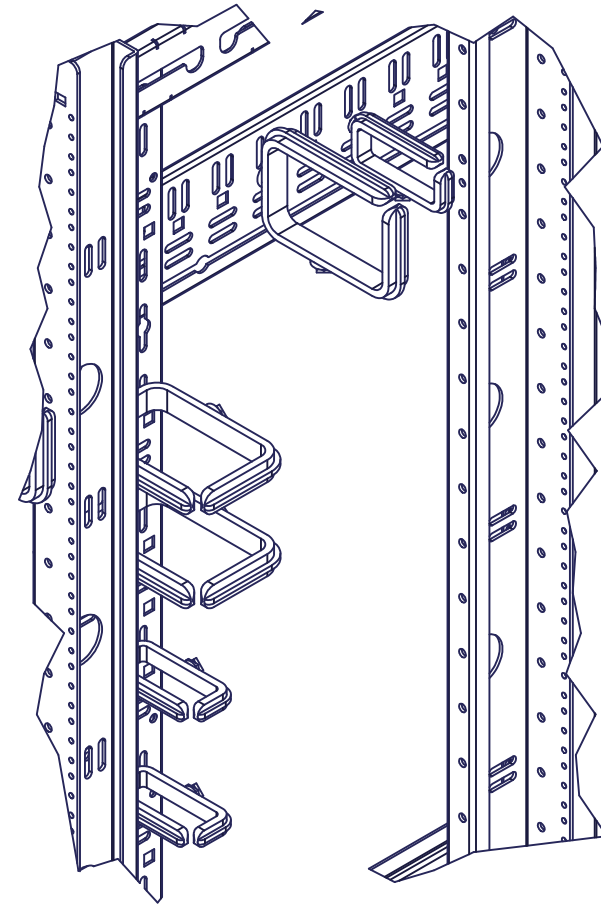
TITLE  
VCB8436 TEST FIT WITH D RINGS IN A 840E2936  
GREAT LAKES CASE & CABINET CO., INC.  
P.O. BOX 551 EDINBORO, PA 16412  
PHONE (814) 734-7303 FAX (814) 734-3907  
E-MAIL glcc@greatcabinets.com  
DWG NO:  
TEST FIT  
REV  
SHEET: 1 OF 2



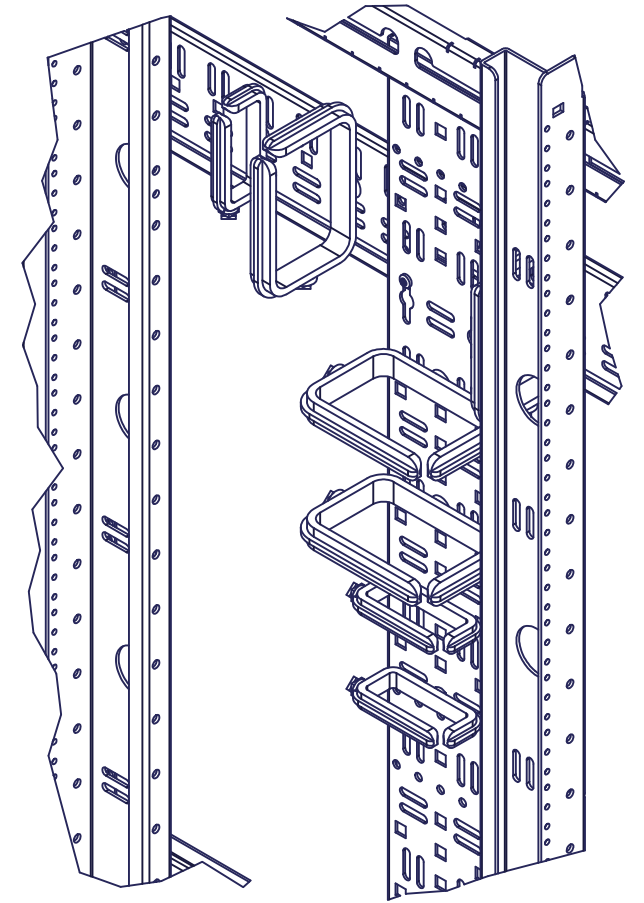
PROJECTED VIEW FROM  
SECTION A-A



PROJECTED VIEW FROM  
SECTION B-B



DETAIL D  
ISOMETRIC LEFT SIDE VIEW  
OF VERTICALLY MOUNTED CM



DETAIL E  
ISOMETRIC RIGHT INSIDE VIEW OF  
HORIZONTALLY MOUNTED CM

EST. WEIGHT :  
N/A



INTERPRET DRAWING PER ASME Y14.5M-1994  
DIMENSIONAL LIMITS APPLY  
AFTER APPLICATION OF FINISH  
DRAWING NOT TO SCALE  
TOLERANCE UNLESS OTHERWISE NOTED:  
ANGULAR +/- .1°  
.XXXX +/- .010  
.XXX +/- .015  
.XX +/- .030  
.X FOR REF. ONLY

UNLESS OTHERWISE SPECIFIED  
ALL DIMENSIONS ARE IN INCHES

**NOTICE:**

Use of this document is subject to a confidentiality and nondisclosure agreement with Great Lakes Case & Cabinet Co., Inc. (GLCC) and may not be reproduced, disclosed or utilized in whole or in part without prior written authorization from GLCC.

PART NUMBER:  
**D RINGS TEST FIT**  
MATERIAL TYPE:  
SEE DETAIL  
MATERIAL GAUGE:  
FINISH:  
SEE DETAIL  
DRAWN DATE  
DRB 12/7/2017  
CHECKED & APP. DATE

TITLE  
**VCB8436 TEST FIT WITH D RINGS IN A 840E2936**  
GREAT LAKES CASE & CABINET CO., INC.  
P.O. BOX 551 EDINBORO, PA 16412  
PHONE (814) 734-7303 FAX (814) 734-3907  
E-MAIL glcc@greatcabinets.com  
DWG NO:  
**TEST FIT**  
REV