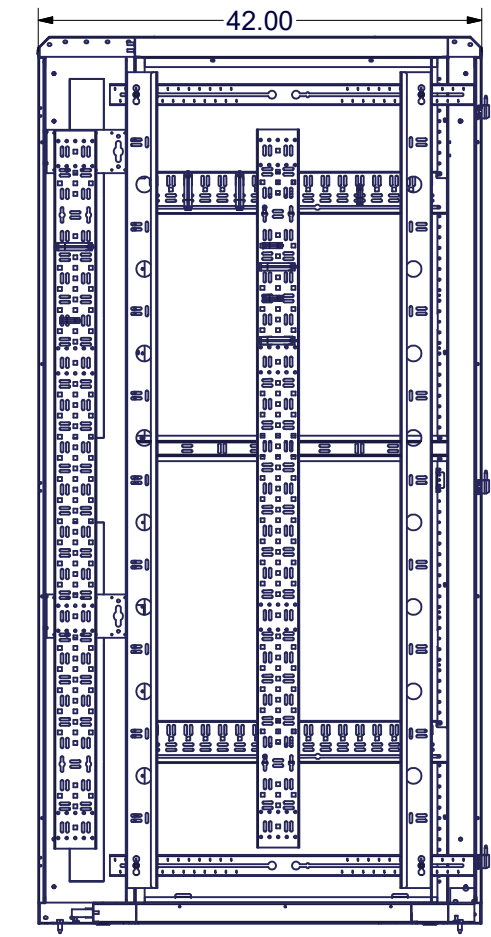
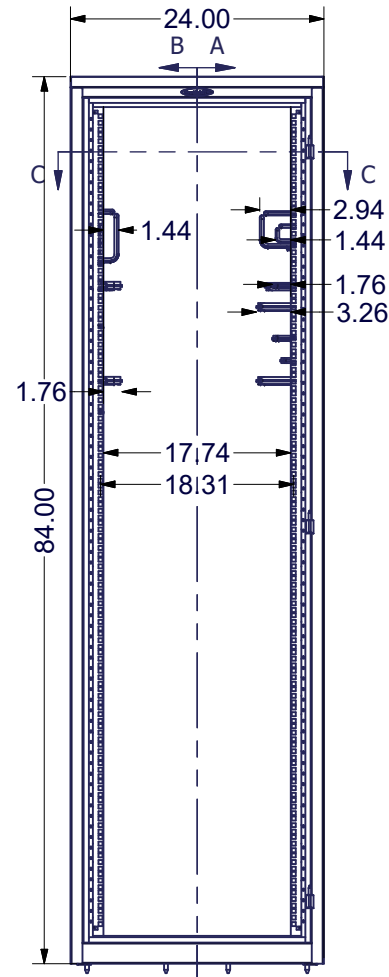


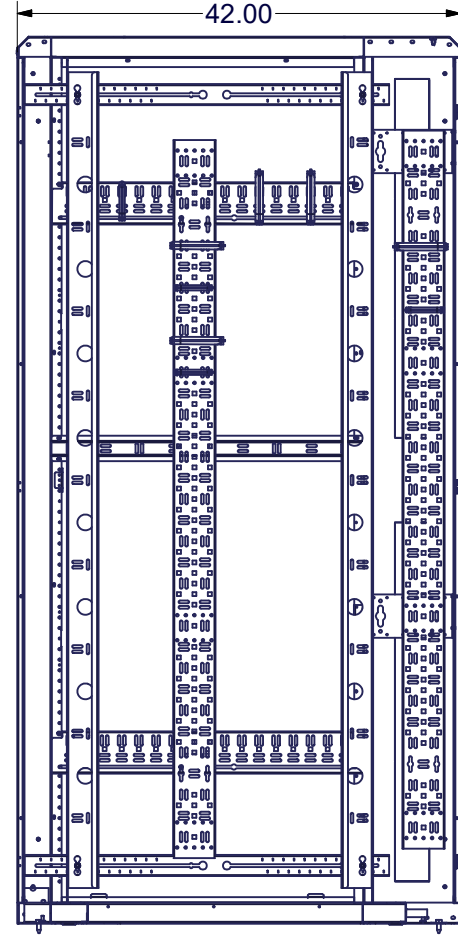
840ES-2442 CABINET AND VCB8436 USED FOR REFERENCE



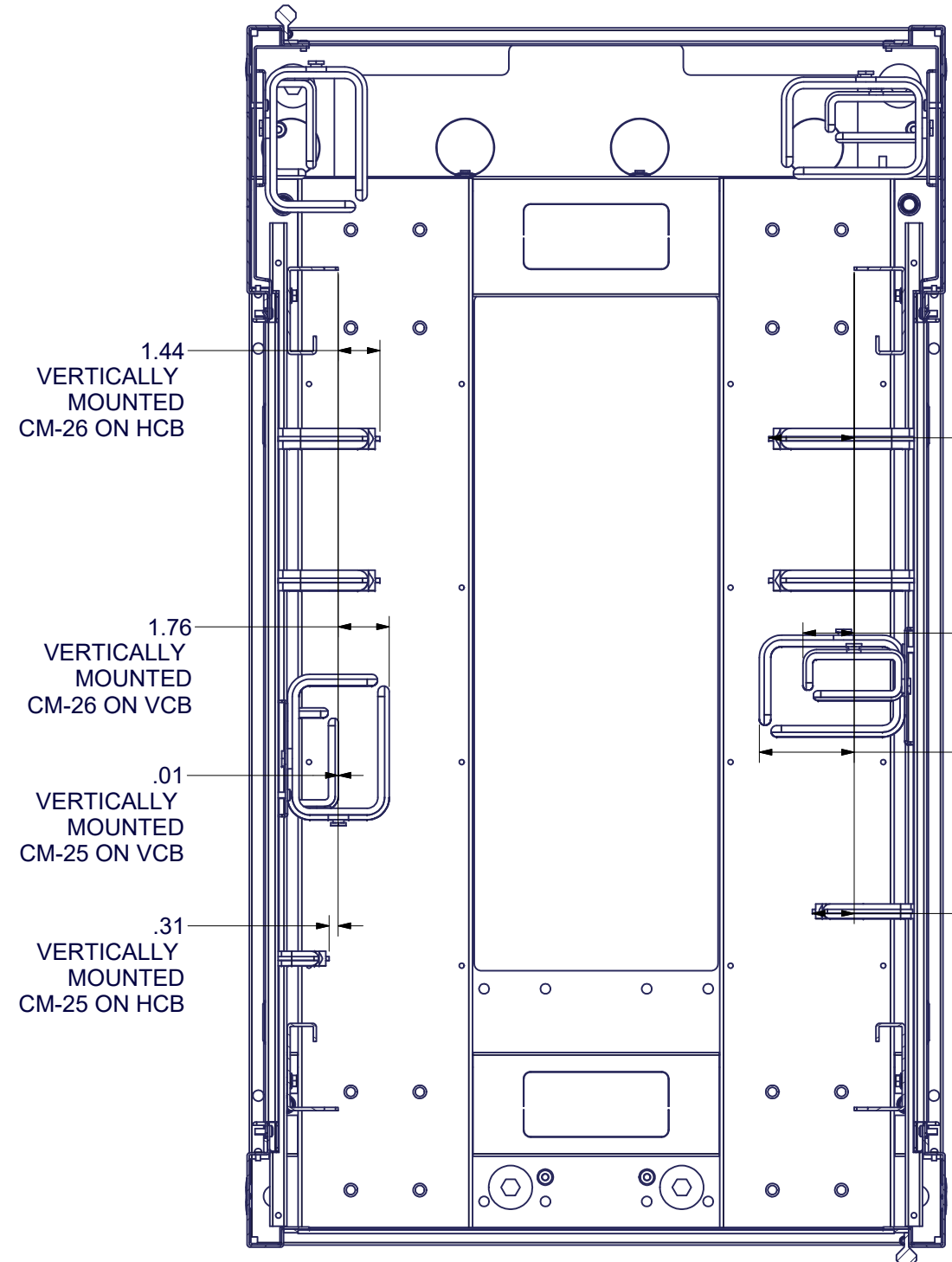
SECTION A-A
SHOWS HORIZONTALLY MOUNTED CM



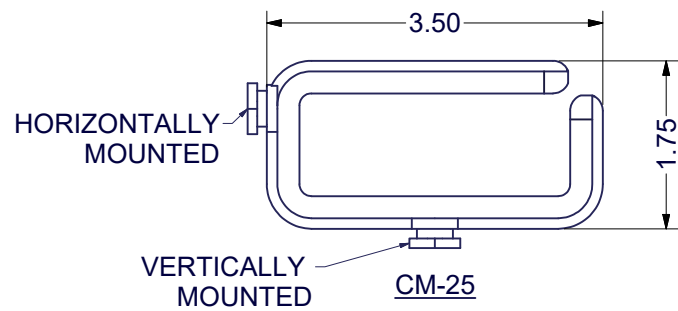
B A
FRONT VIEW



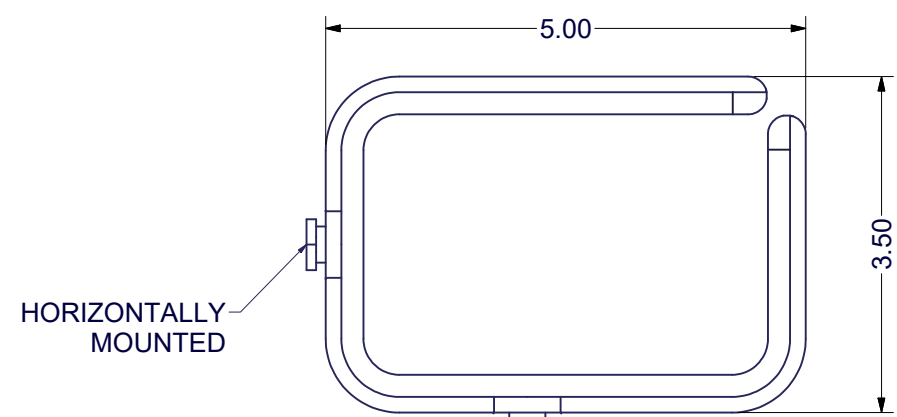
SECTION B-B
SHOWS VERTICALLY MOUNTED CM



SECTION C-C
TOP VIEW



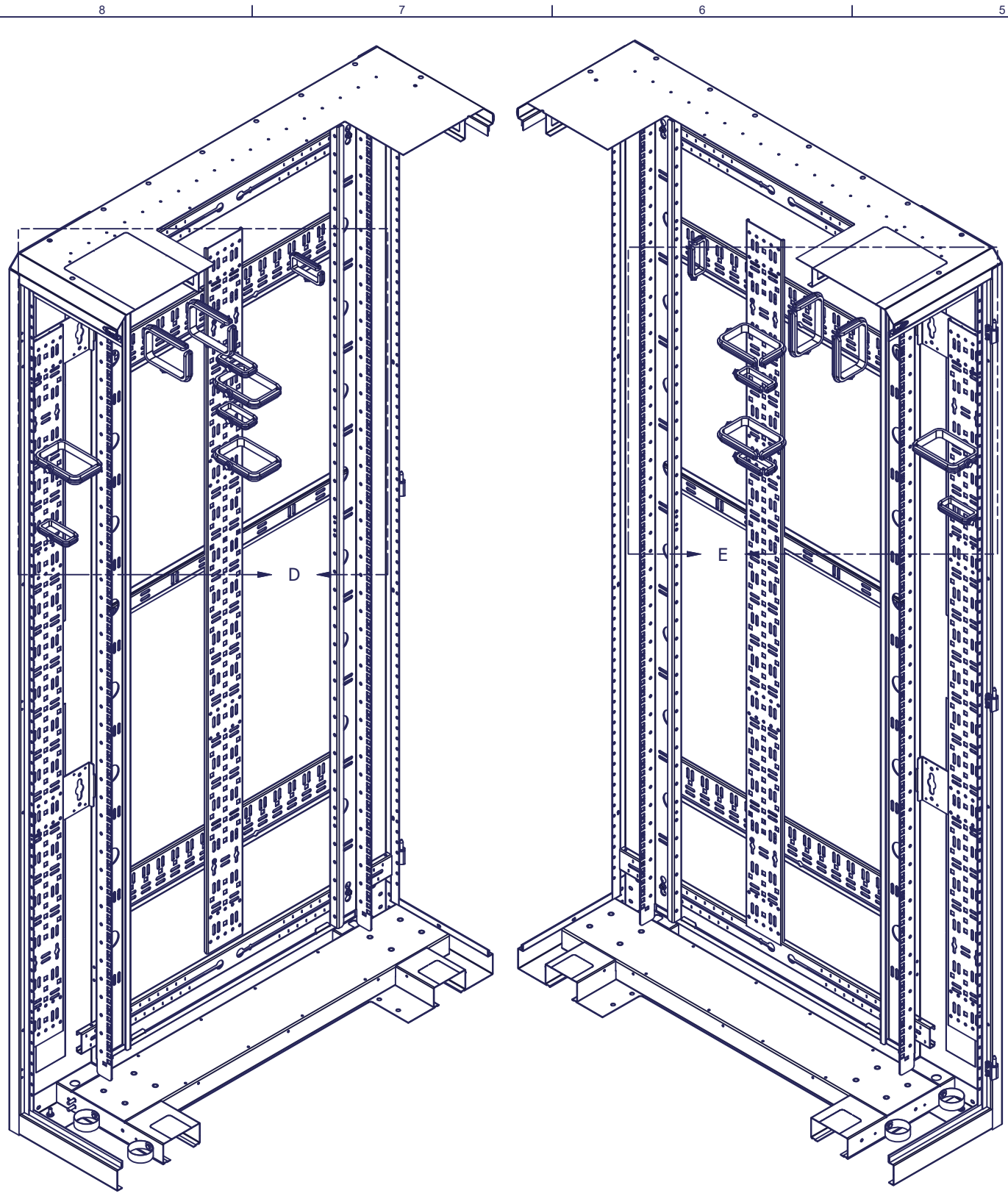
HORIZONTALLY MOUNTED
VERTICALLY MOUNTED
CM-25



HORIZONTALLY MOUNTED
VERTICALLY MOUNTED
CM-26

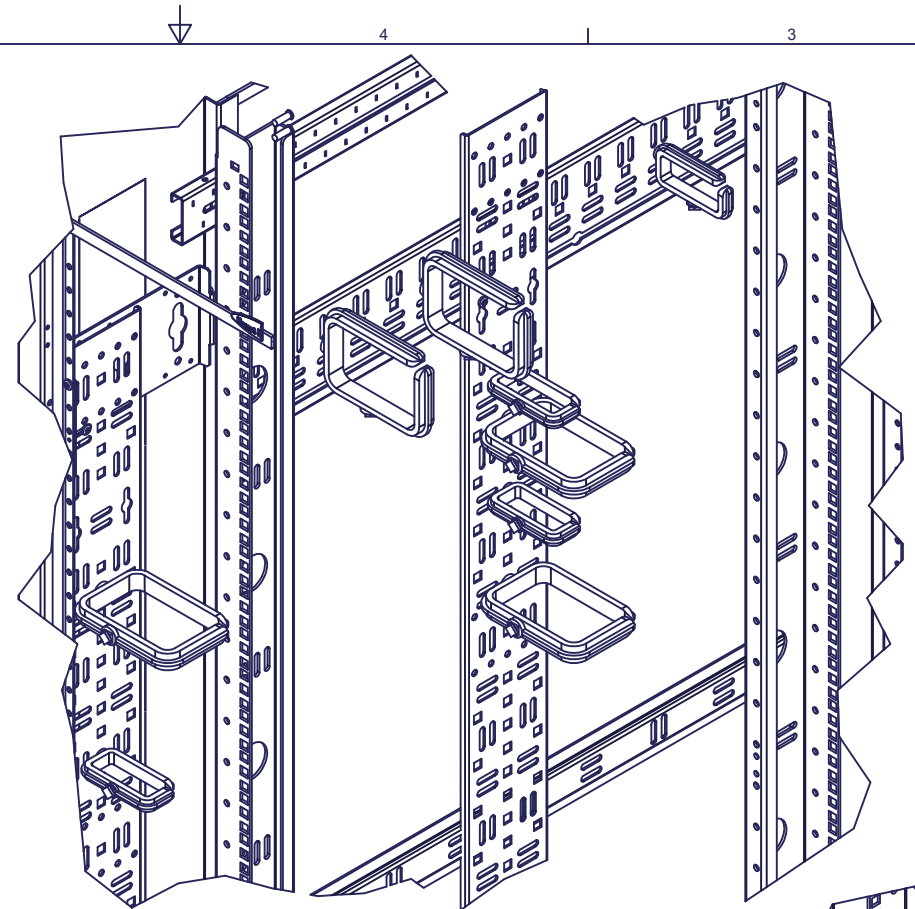
- NOTES**
- TEST FIT FOR CM-25 AND CM-26
 - SHOWING INTERFERENCE WITH RACK PLANE WHEN THE CABLE MANAGEMENT IS MOUNTED ONTO THE VCB8436 IN A 840ES-2442
 - ONLY THE CM-25 VERTICALLY MOUNTED WILL NOT INTERFERE WITH THE RACK PLANE

INTERPRET DRAWING PER ASME Y14.5M-1994 DIMENSIONAL LIMITS APPLY AFTER APPLICATION OF FINISH DRAWING NOT TO SCALE TOLERANCE UNLESS OTHERWISE NOTED: ANGULAR +/- .1" .XXXX +/- .010 .XXX +/- .015 .XX +/- .030 .X FOR REF. ONLY	NOTICE: Use of this document is subject to a confidentiality and nondisclosure agreement with Great Lakes Case & Cabinet Co., Inc. (GLCC) and may not be reproduced, disclosed or utilized in whole or in part without prior written authorization from GLCC.	PART NUMBER: D RINGS TEST FIT	TITLE: VCB8436 TEST FIT WITH D RINGS IN A 840ES2442
		MATERIAL TYPE: SEE DETAIL	GREAT LAKES CASE & CABINET CO., INC. P.O. BOX 551 EDINBORO, PA 16412 PHONE (814) 734-7303 FAX (814) 734-3907 E-MAIL glcc@greatcabinets.com
EST. WEIGHT: N/A	THIRD ANGLE PROJECTION	FINISH: SEE DETAIL	DWG NO.: TEST FIT
UNLESS OTHERWISE SPECIFIED ALL DIMENSIONS ARE IN INCHES	CHECKED & APP. DATE	DATE: 12/7/2017	REV:

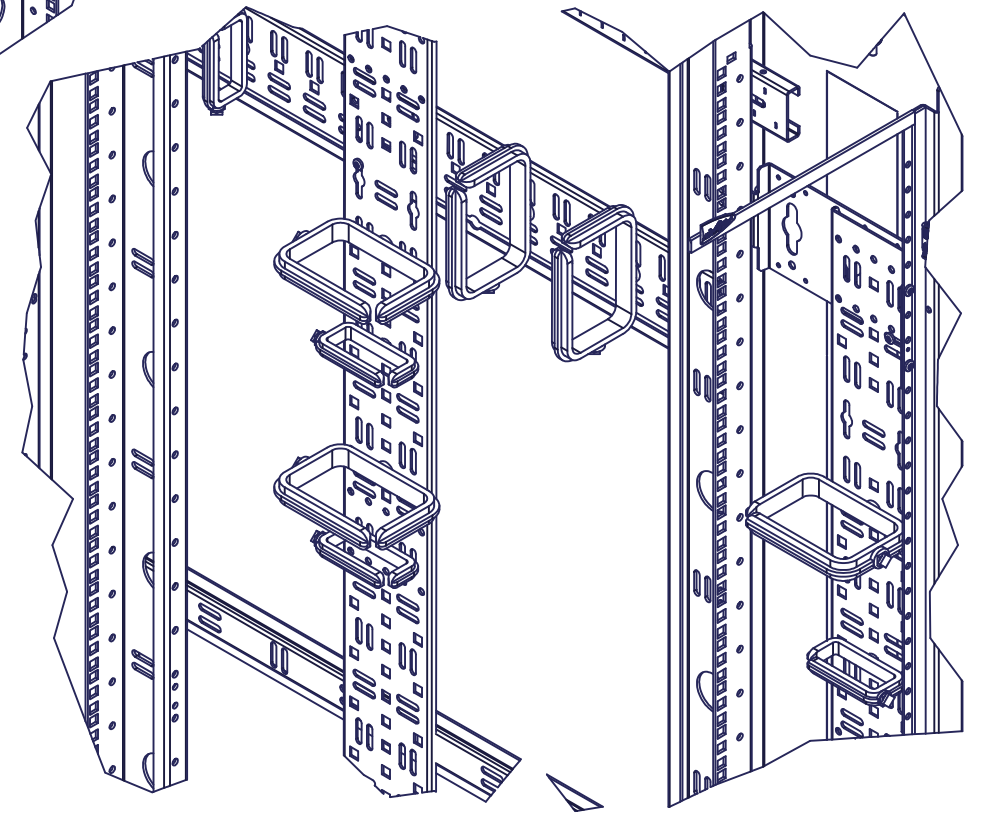


PROJECTED VIEW FROM SECTION A-A

PROJECTED VIEW FROM SECTION B-B



DETAIL D
ISOMETRIC LEFT INSIDE VIEW
OF VERTICALLY MOUNTED CM



DETAIL E
ISOMETRIC RIGHT INSIDE VIEW OF
HORIZONTALLY MOUNTED CM

EST. WEIGHT :
N/A



INTERPRET DRAWING PER ASME Y14.5M-1994
DIMENSIONAL LIMITS APPLY
AFTER APPLICATION OF FINISH
DRAWING NOT TO SCALE
TOLERANCE UNLESS OTHERWISE NOTED:
ANGULAR +/- .1°
.XXXX +/- .010
.XXX +/- .015
.XX +/- .030
.X FOR REF. ONLY
UNLESS OTHERWISE SPECIFIED
ALL DIMENSIONS ARE IN INCHES

NOTICE:
Use of this document is subject to a confidentiality and nondisclosure agreement with Great Lakes Case & Cabinet Co., Inc. (GLCC) and may not be reproduced, disclosed or utilized in whole or in part without prior written authorization from GLCC.

PART NUMBER:
D RINGS TEST FIT
MATERIAL TYPE:
SEE DETAIL
MATERIAL GAUGE:
FINISH:
SEE DETAIL
DRAWN
DRB
CHECKED & APP. DATE

TITLE
VCB8436 TEST FIT WITH D RINGS IN A 840ES2442
GREAT LAKES CASE & CABINET CO., INC.
P.O. BOX 551 EDINBORO, PA 16412
PHONE (814) 734-7303 FAX (814) 734-3907
E-MAIL glcc@greatcabinets.com
DWG NO:
TEST FIT
REV