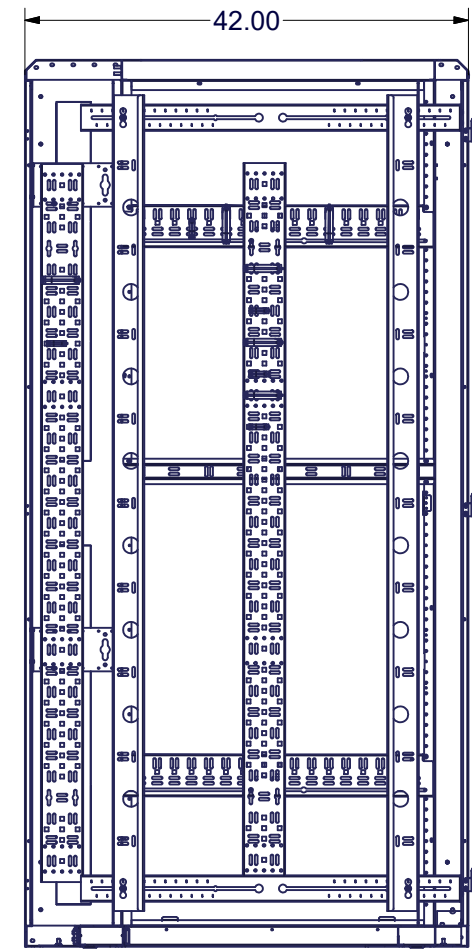
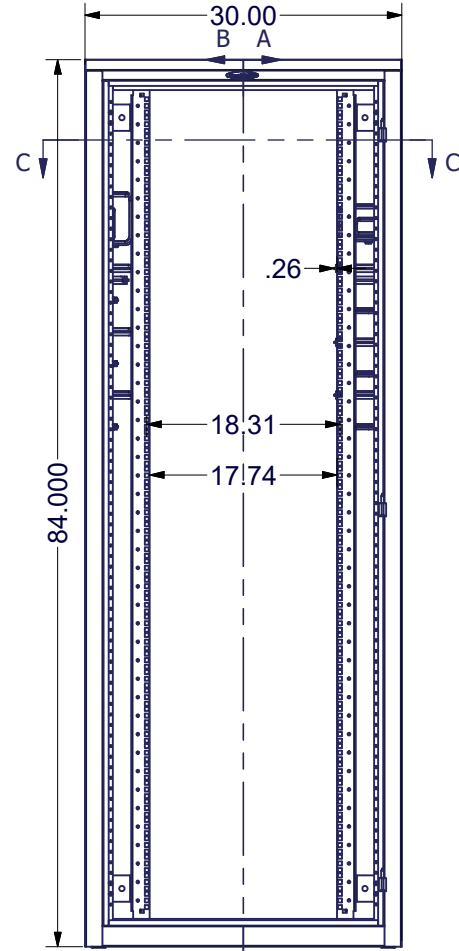


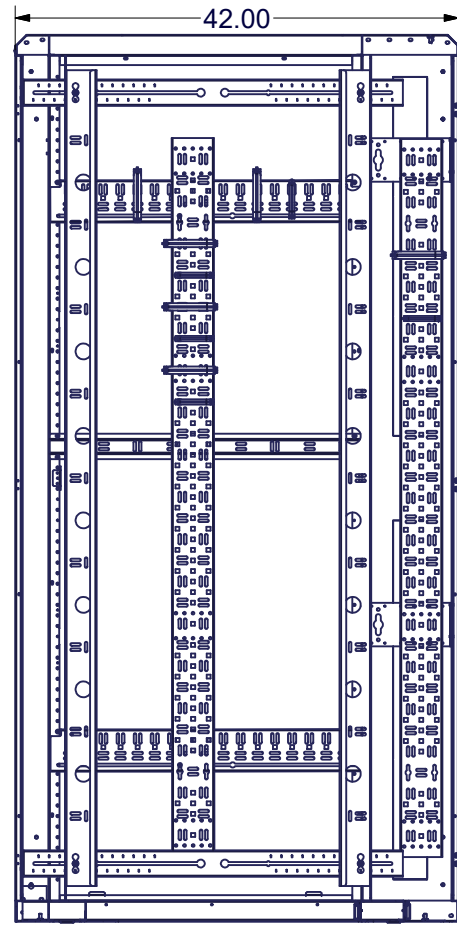
840ES-3042 CABINET AND VCB8436 USED FOR REFERENCE



SECTION A-A
SHOWS HORIZONTALLY MOUNTED CM

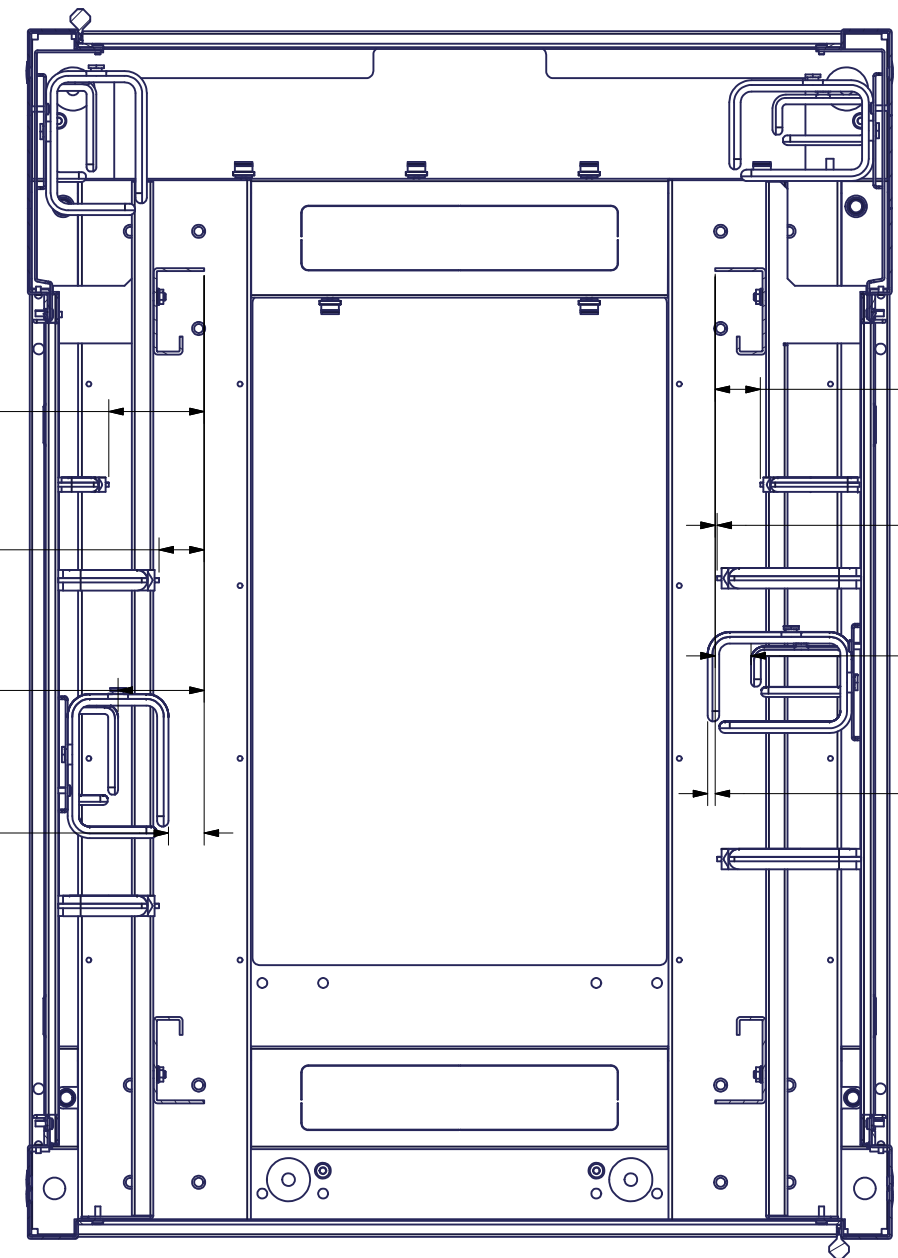


B A
FRONT VIEW



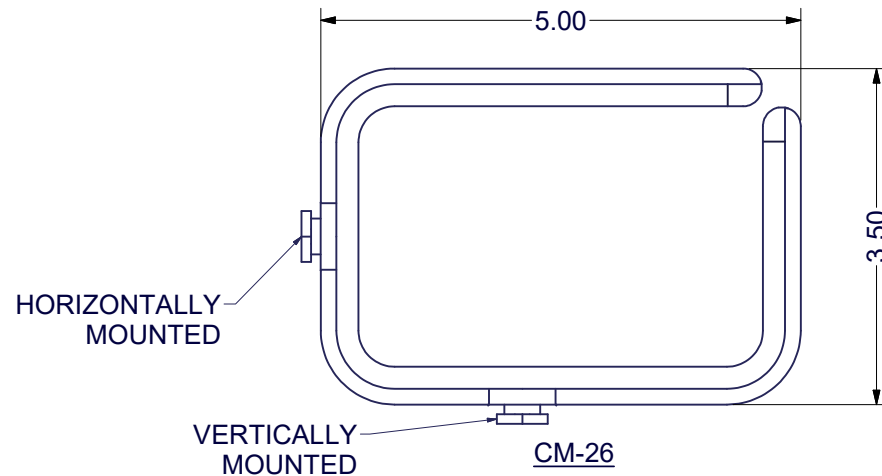
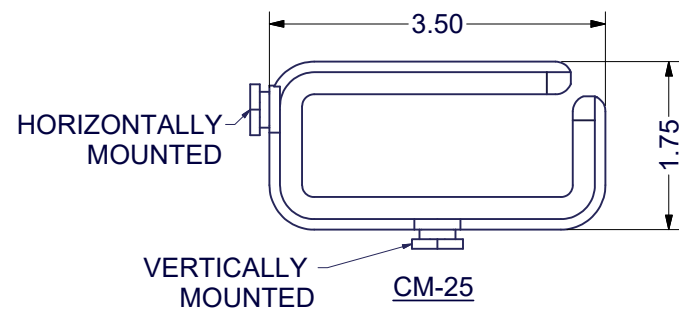
SECTION B-B
SHOWS VERTICALLY MOUNTED CM

- 3.31 VERTICALLY MOUNTED CM-25 ON HCB
- 1.56 VERTICALLY MOUNTED CM-26 ON HCB
- 2.99 VERTICALLY MOUNTED CM-25 ON VCB
- 1.24 VERTICALLY MOUNTED CM-26 ON VCB



SECTION C-C
TOP VIEW

- 1.56 HORIZONTALLY MOUNTED CM-25 ON HCB
- .063 HORIZONTALLY MOUNTED CM-26 ON HCB
- 1.24 HORIZONTALLY MOUNTED CM-25 ON VCB
- .26 HORIZONTALLY MOUNTED CM-26 ON VCB



- NOTES
- TEST FIT FOR CM-25 AND CM-26
 - SHOWING INTERFERENCE WITH RACK PLANE WHEN THE CABLE MANAGEMENT IS MOUNTED ONTO THE VCB8436 IN A 840ES-3042
 - ONLY THE CM-26 WILL INTERFERE WITH THE RACK PLANE WHEN HORIZONTALLY MOUNTED

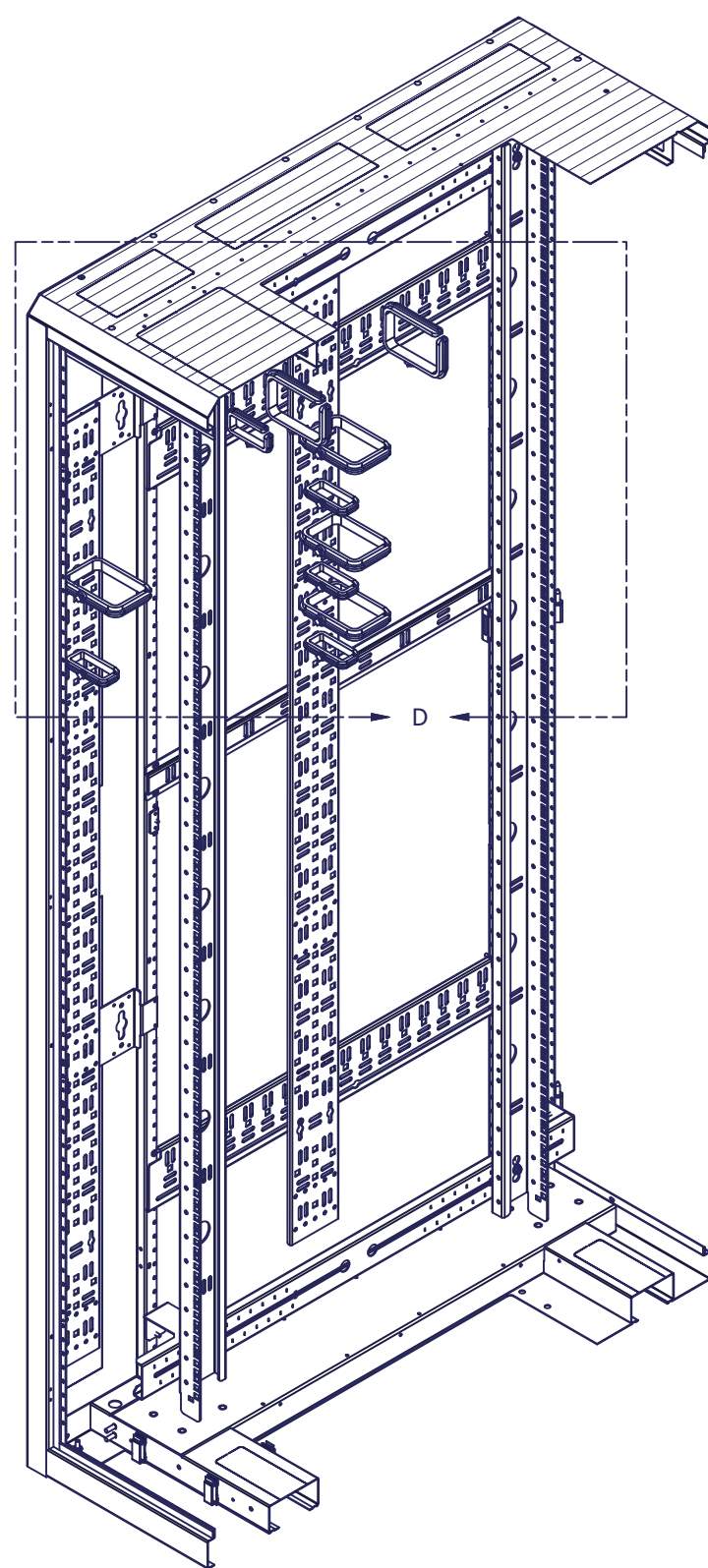
EST. WEIGHT :
N/A

INTERPRET DRAWING PER ASME Y14.5M-1994
DIMENSIONAL LIMITS APPLY
AFTER APPLICATION OF FINISH
DRAWING NOT TO SCALE
TOLERANCE UNLESS OTHERWISE NOTED:
ANGULAR +/- .1°
.XXXX +/- .010
.XXX +/- .015
.XX +/- .030
.X FOR REF. ONLY
UNLESS OTHERWISE SPECIFIED
ALL DIMENSIONS ARE IN INCHES

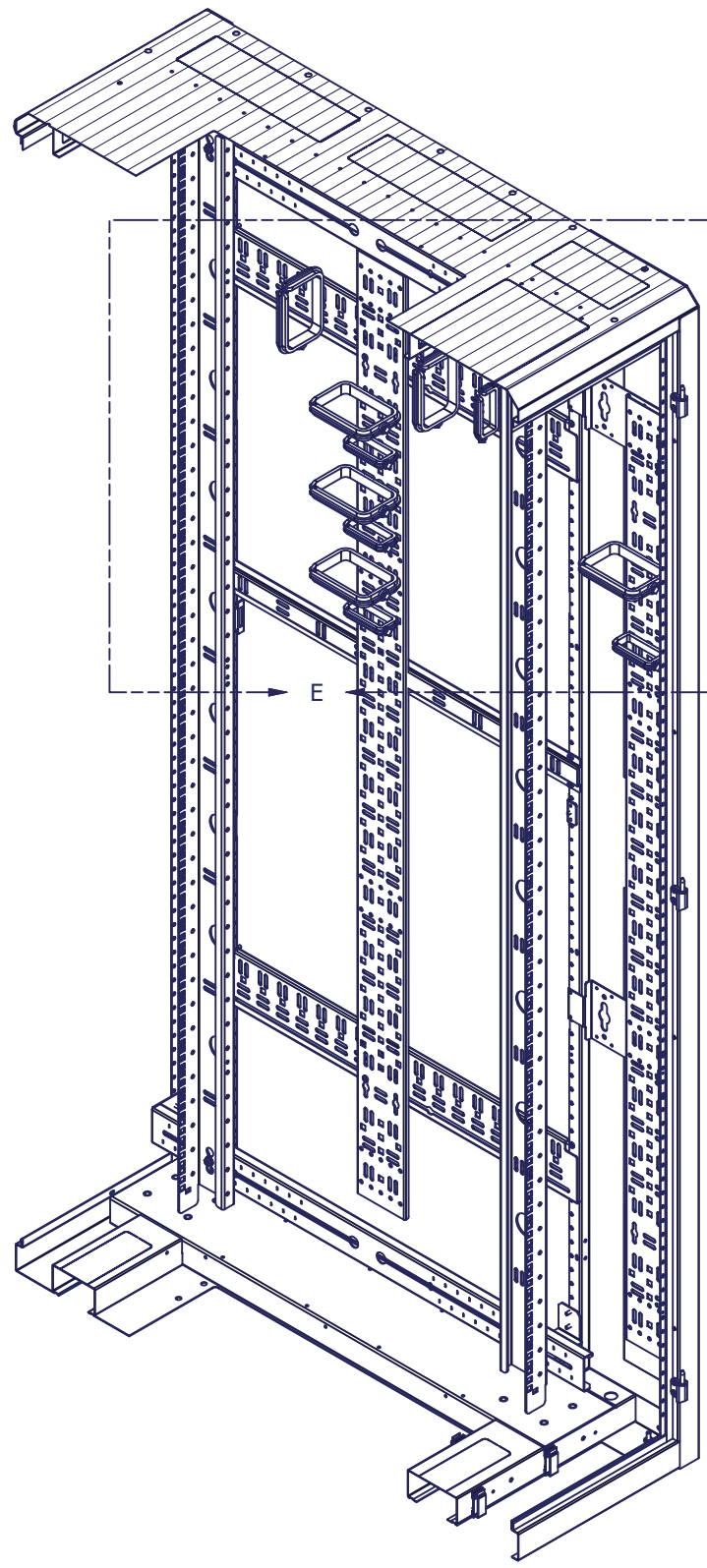
NOTICE:
Use of this document is subject to a confidentiality and nondisclosure agreement with Great Lakes Case & Cabinet Co., Inc. (GLCC) and may not be reproduced, disclosed or utilized in whole or in part without prior written authorization from GLCC.

PART NUMBER:
D RINGS TEST FIT
MATERIAL TYPE:
SEE DETAIL
MATERIAL GAUGE:
FINISH:
SEE DETAIL
DRAWN
DRB
CHECKED & APP.
DATE
12/7/2017
DATE

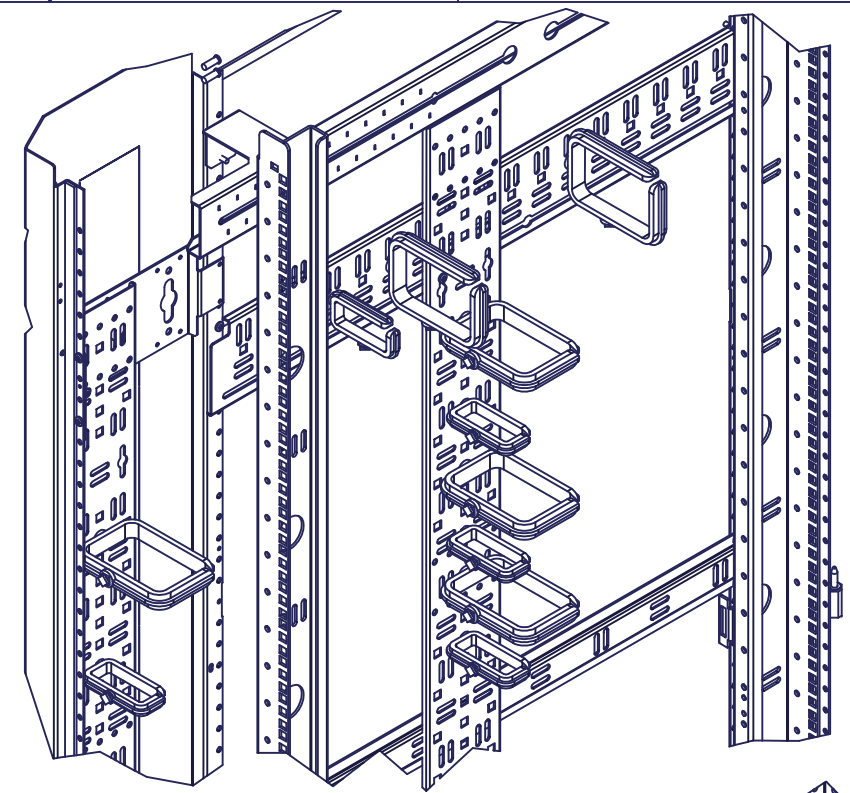
TITLE
VCB8436 TEST FIT WITH D RINGS IN A 840ES3042
GREAT LAKES CASE & CABINET CO., INC.
P.O. BOX 551 EDINBORO, PA 16412
PHONE (814) 734-7303 FAX (814) 734-3907
E-MAIL glcc@greatcabinets.com
DWG NO:
TEST FIT
REV
0
SHEET: 1 OF 2



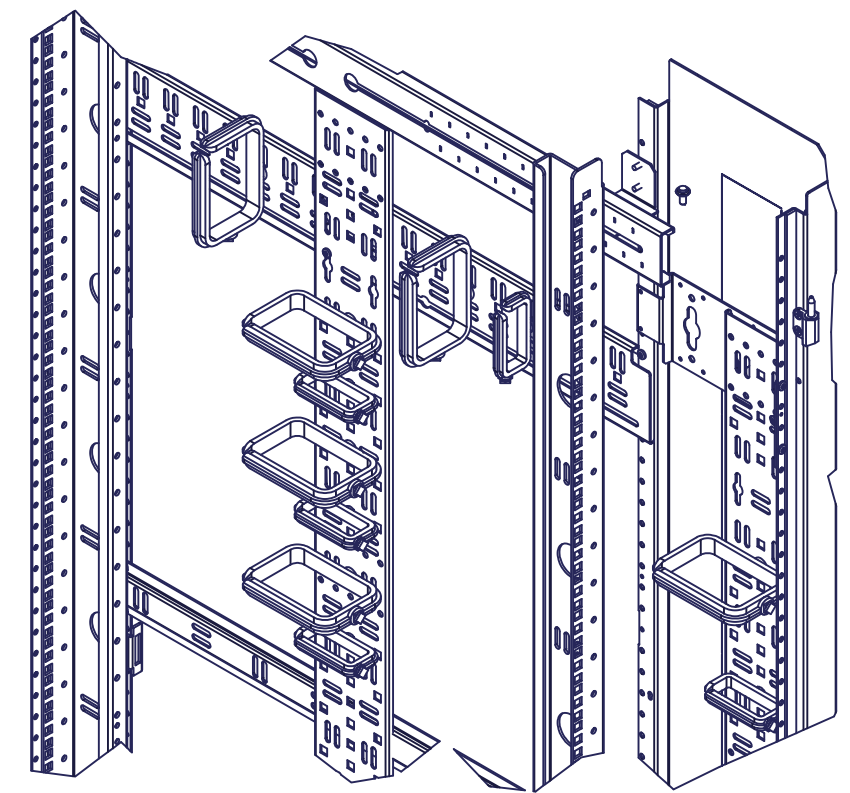
PROJECTED VIEW FROM SECTION A-A



PROJECTED VIEW FROM SECTION B-B



DETAIL D
ISOMETRIC LEFT INSIDE VIEW
OF VERTICALLY MOUNTED CM



DETAIL E
ISOMETRIC RIGHT INSIDE VIEW OF
HORIZONTALLY MOUNTED CM

EST. WEIGHT :
N/A



INTERPRET DRAWING PER ASME Y14.5M-1994
DIMENSIONAL LIMITS APPLY
AFTER APPLICATION OF FINISH
DRAWING NOT TO SCALE
TOLERANCE UNLESS OTHERWISE NOTED:
ANGULAR +/- .1°
.XXXX +/- .010
.XXX +/- .015
.XX +/- .030
.X FOR REF. ONLY
UNLESS OTHERWISE SPECIFIED
ALL DIMENSIONS ARE IN INCHES

NOTICE:
Use of this document is subject to a confidentiality and nondisclosure agreement with Great Lakes Case & Cabinet Co., Inc. (GLCC) and may not be reproduced, disclosed or utilized in whole or in part without prior written authorization from GLCC.

PART NUMBER:
D RINGS TEST FIT
MATERIAL TYPE:
SEE DETAIL
MATERIAL GAUGE:
FINISH:
SEE DETAIL
DRAWN
DRB
CHECKED & APP.
DATE
12/7/2017
DATE

TITLE
VCB8436 TEST FIT WITH D RINGS IN A 840ES3042
GREAT LAKES CASE & CABINET CO., INC.
P.O. BOX 551 EDINBORO, PA 16412
PHONE (814) 734-7303 FAX (814) 734-3907
E-MAIL glcc@greatcabinets.com
DWG NO:
TEST FIT
REV
0
SHEET: 2 OF 2