

product spotlight

COMBINATION SWING HANDLE

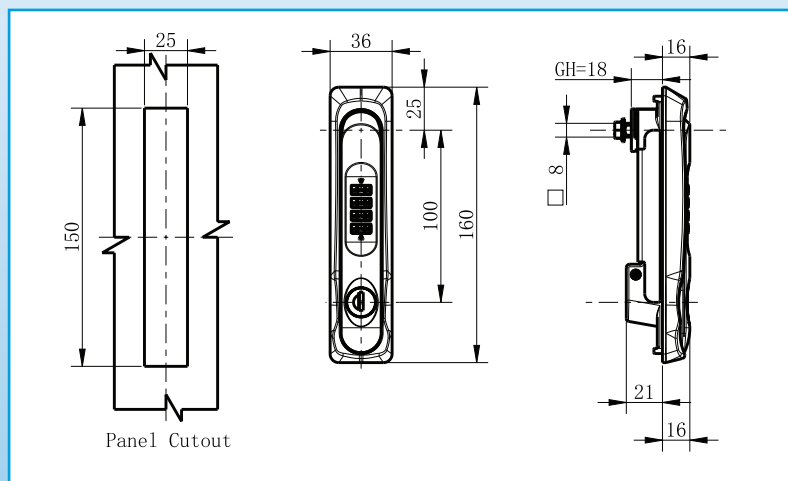


FEATURES

- Easy to read dials
- Four tumblers for added security
- Die cast zinc handle for durability
- Easy to program combination
- Ergonomic handle
- Tamper proof
- Black Powder Coat

PART NO. DESCRIPTION

CH-06 Four Tumbler Combination Swing Handle



CORPORATE HEADQUARTERS

P.O. Box 551
 Edinboro, PA 16412
 1.866.TRY.GLCC
 (1.866.879.4522)
 Phone: 814.734.7303
 Fax: 814.734.3907
 glcc@greatcabinets.com

GREAT LAKES MANUFACTURING, INC.

1521 Enterprise Road
 Corry, PA 16407
 Phone: 814.734.2436
 Fax: 814.665.7025
 werackyourworld.com
 glm@greatmanufacturing.net

WESTERN DISTRIBUTION

4750 Joule Street
 Reno, NV 89502
 Phone: 775.829.9913
 Fax: 775.829.9926
 glcc@greatcabinets.com

SOUTHEAST DISTRIBUTION

3630 Shaw Blvd.
 Suite 4, Naples, FL 34117
 Phone: 1.866.TRY.GLCC
 Fax: 239.304.1226
 glcc@greatcabinets.com

GREAT LAKES INTERNATIONAL LTD.

Aerbridge House, Unit 14
 Dunshaughlin Business Park
 Dunshaughlin Co. Meath
 Ireland
 Phone: 011 353 1 825 8777
 Fax: 011 353 1 825 8778

GREAT LAKES HUNGARY KFT

Zsurló utca 13
 8000 Székesfehérvár
 Hungary
 Phone: 011 36 22 880 420
 Fax: 011 36 22 880 429