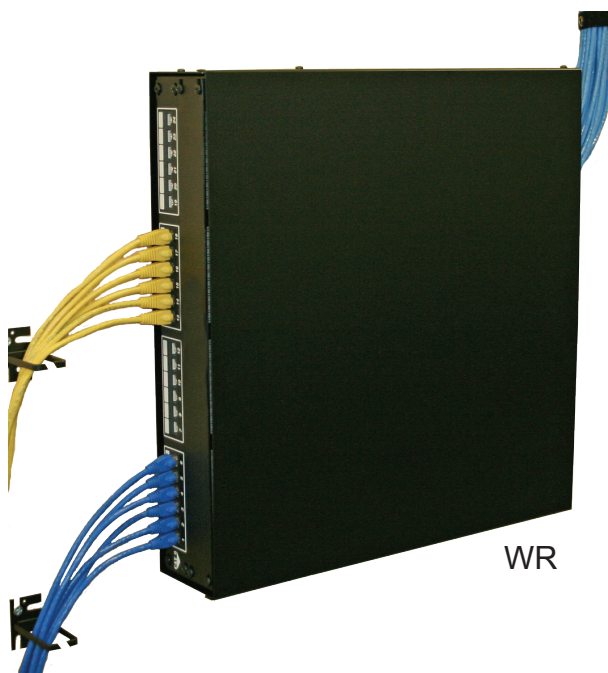


# WR Series Wall Mounts

## **Installation Instructions**

(UL60950-1/UL2416 E Series Equipment Cabinet/Rack)



## **PREFACE**

This manual is provided to prevent service personnel from committing an act that results in the risk of fire, electric shock, or injury to persons. Only trained service personnel should receive, unpack, and assemble the Great Lakes Wall Mount. In addition, only trained service personnel should install equipment in enclosures.

### **SAFETY SYMBOLS USED IN THIS MANUAL**

This manual provides general safety guidelines to be observed during installation, operation, and maintenance of the Great Lakes WR Wall Mount.



**WARNING:** Failure to follow directions in the warning could result in injury to persons or loss of life.



**CAUTION:** Failure to follow directions in the caution could result in damage to equipment or storage data.

### **SAFETY CONSIDERATIONS**



**WARNING:** Improper handling and use of the Great Lakes Wall Mount could result in equipment damage, serious injury, or possible death.

Only trained service personnel should be used to remove the enclosure from the pallet. Also, be sure you have a sufficient number of service personnel. Do not attempt to move enclosures by yourself.

Only UL® Listed ITE (Information Technology Equipment) units should be installed inside the Great Lakes WR Wall Mount.

Be sure to read and follow all individual manufacturer equipment manuals for safety and installation instructions.

Proper spacing is required when installing electrical equipment to avoid electrical shock. Maintain minimum spacing between the accessories and components and the computer enclosure assembly for safe operation of the equipment when installed in accordance with the National Electrical Code ANSI/NFPA 70-1999.

The ambient temperature operating range for the Great Lakes WR Wall Mount and accessories is +50 to +95° F (+10 to +35° C).

The non-operating temperature is -4 to +140° F (-20 to +60° C).

# INSTALLATION

## Receiving and Unpacking

Inspect and report any damage before receiving. Unpack the wall mount by carefully removing the corrugated carton and corners. Avoid damaging the wall mount when removing packaging.



**WARNING:** Only trained service personnel should be used to unpack and move the enclosure. Also, be sure you have a sufficient number of service personnel. Do not attempt to move enclosures by yourself.



**WARNING:** Be careful when moving enclosures before installation. Sudden stops and starts, excessive force, obstructed routes, and uneven floor surfaces may cause the enclosure to topple over.

## Loading Equipment



**WARNING:** Only install equipment after the Great Lakes WR Wall Mount has been properly secured. Do not move the Great Lakes WR Wall Mount assembly while loaded.

To maintain a uniform distribution of the mechanical load in the WR, load the heaviest equipment first, at the bottom and load the lighter units at the top. Rated or maximum load capacities for the Great Lakes WR Wall Mounts are as follows: WR2: 50 lbs., WR4: 75 lbs.

## SERVICE

The Great Lakes Wall Mount should be repaired by personnel trained by Great Lakes, or returned to Great Lakes for repair or replacement. Contact Great Lakes Technical Support at 814.734.7303 or at [werackyourworld.com](http://werackyourworld.com)

## GENERAL INFORMATION

WR2: 4"H x 19.75"W x 21.63"D, 2 RMU

WR4: 7.5"H x 19.75"W x 21.63"D, 4 RMU

**Certifications:** UL Listed 2416 and UL 60950-1

**Construction:** Steel

**Finish:** Black Textured Powder Coat

**Grounding:** Studs on side brace and swing frame with bonding lead

**Rail Type:** Tapped #10-32

# MOUNTING INSTRUCTIONS

## Wood Studded Wall

Once the location on the wall has been determined, inspect the wall surface. The wall must be flat and square in the horizontal and vertical plane to ensure the Great Lakes Wall Mounts closes correctly. If the wall is not flat and square, the use of shims may be required.

Wood studded wall mounting instructions apply to a 2" x 4" wood stud wall with 3/4" plywood.

## Recommended Mounting Hardware for Wood Studded Wall

For WR2 and WR4:

Qty. (4) 1/4 x 2" long lag bolts and 1" O.D. flat washer

**Masonry Wall Surface-** For masonry wall surface, the installer must provide all the appropriate hardware.

## PROTECTIVE GROUNDING

Protective grounding studs are provided.



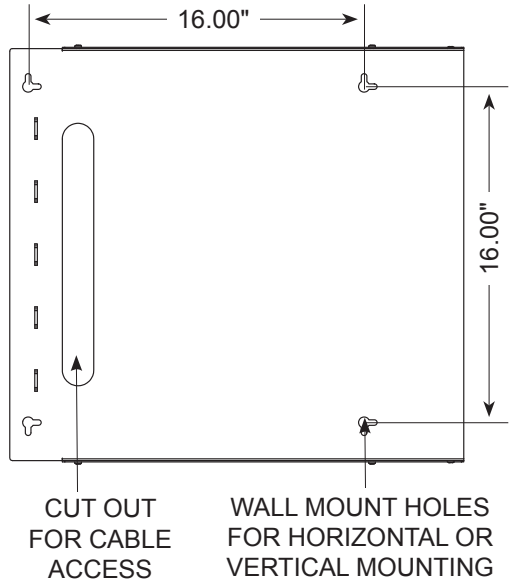
**WARNING:** To avoid injury to persons or loss of life, ground each enclosure individually to the dedicated branch circuit ground.

**Connecting Main Protective Grounding Stud to the Dedicated Branch Circuit Ground-** Connect the dedicated branch circuit ground connector to the main protective grounding stud located inside on the back of the rear section on the WR using a listed ring or closed-loop terminal.

**Parts Not Bonded to Protective Earthing Terminal-** The following parts are not effectively bonded to the protective earthing terminal: rails. If these parts need to be bonded to the protective earthing terminal, do so in accordance with Article 250 of the National Electrical Code.

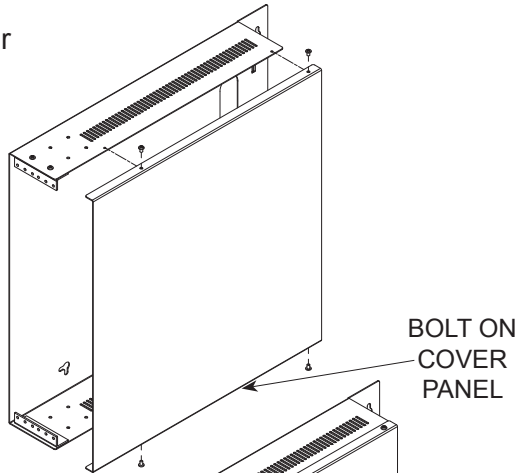
# INSTALLATION AND ASSEMBLY

**1.** Mounting holes are designed for 1/4" hardware, on 16" centers.



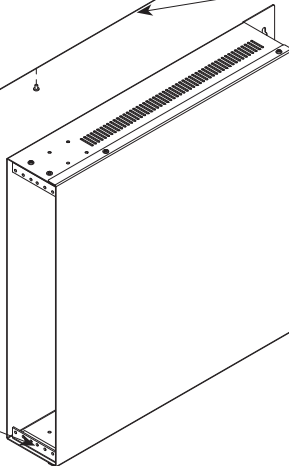
**2.** Unscrew wall rack cover from wall rack.

**3.** Mount back panel to wall using 1/4 x 2" long lag bolts, on 16" centers.



**4.** Once back panel is mounted, screw wall rack cover onto back panel.

#10-32 TRAPPED EIA MTG. HOLES



When installing a Great Lakes wall-mounted rack enclosure to materials such as wood, cinder block, concrete, etc., please consider the load capacity within the wall mount structure, and be certain to check with local authorities to determine the appropriate hardware requirements for these conditions. Because wall compositions may vary at different installation sites, Great Lakes cannot warrant the fitness or suitability of any installation instructions or installation hardware it may provide for wall-mount rack enclosures. Great Lakes hereby **DISCLAIMS ALL WARRANTIES, EXPRESS AND IMPLIED, INCLUDING THE IMPLIED WARRANTIES OF MERCHANTABILITY AND FITNESS FOR A PARTICULAR PURPOSE, REGARDING THE SUFFICIENCY, FITNESS OR SUITABILITY OF ANY INSTALLATION INSTRUCTIONS OR INSTALLATION HARDWARE GREAT LAKES MAY PROVIDE FOR WALL-MOUNTED ENCLOSURES.** Great Lakes recommends that an experienced maintenance and/or technical person be consulted regarding the proper wall-mounting hardware and procedures to be used for the anticipated load capacity of the wall-mounted rack enclosure.

*Product specifications are subject to change without prior notice.*

# **GREAT LAKES** **CASE & CABINET**



---

*Invest in Solid Engineering*

**Great Lakes Case & Cabinet Co., Inc.**

P.O. Box 551 • Edinboro, PA 16412

1-866-TRY-GLCC • (1-866-879-4522)

Phone: 814.734.7303

Fax: 814.734.3907

[WeRackYourWorld.com](http://WeRackYourWorld.com)



# GREAT LAKES CASE & CABINET



*Invest in Solid Engineering*

# Thank you for your business!

weRack  
your  
world!™



Corporate  
Sponsor

ETSI Associate Member

MS-5.02-46 Rev. 0