



# product spotlight

## AISLELOK ACRYCELL™ SEALING TAPE



### APPLICATIONS

Designed to seal openings between racks in both new and existing data center aisle designs to block bypass airflow and maximize cooling system efficiencies.

AisleLok Acrycell Sealing Tape is an innovative non-particulating solution making it the premium choice for the data center. Its revolutionary sealing technology greatly reduces costly bypass airflow, increasing usable cooling unit capacity, and ensuring maximized efficiency from HVAC equipment.

### FEATURES

- Non-particulating tape is safe for the data center and ensures a durable secure seal between the racks/enclosures
- AisleLok products are compliant with directive 2002/95/EC of the European Parliament and the Council on the Restriction of the Use of Certain Hazardous Substances in Electrical and Electric Equipment (RoHS)
- Time release expansion allows product installation without disturbing cables
- Conforms to non-uniform spaces when completely expanded
- Compact size for easy portability

### BENEFITS

- Supports increasing cabinet density
- Increases existing cooling unit capacity
- Reduces the need to purchase additional cooling units
- Improves IT equipment reliability and extends equipment life

### UNIQUE ACRYCELL TECHNOLOGY

***Confirmed by a 3rd party laboratory's accelerated aging test this zero-particulate sealing tape is truly "Data Center Safe" and also offers:***

- Time release expansion that ensures a tight seal around cables and other impediments
- Moldable physical quality that forms a tight seal on uneven surfaces and gaps
- Customizable tape unrolls creating one continuous and uniform top-to-bottom seal
- "Peel and Stick" installation saves labor, time and money
- Compressed tape eliminates pinching, stuffing, or otherwise manipulating to install

## SEALING EFFECTIVENESS

Acrycell sealing technology has been engineered to fill gaps tightly against airflow and particulates across a wide spectrum of widths. Confidently and cost effectively sealing gaps against errant airflow ranging from 5 to 50mm in width, between racks, cabinets, or other data center equipment.

## DATA CENTER SAFE SEALING SYSTEM

Confirmed "Data Center Safe", the zero-particulate, time release Acrycell sealing technology is designed to seal gaps against draft and dust between server racks, cabinets or other enclosures in the mission critical data center environment.

## MOUNTING SYSTEM

### Adhesive mounting system consisting of:

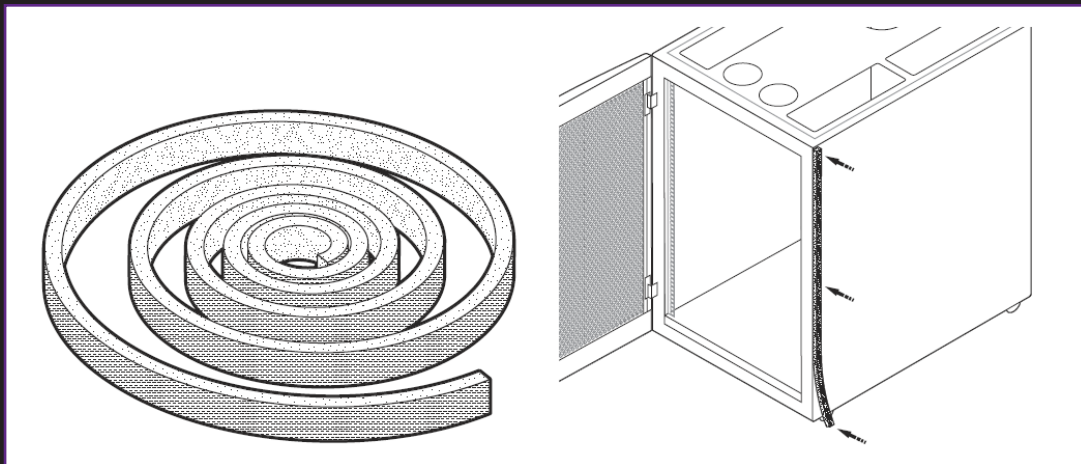
- Single-sided, pressure sensitive tape with durable and field tested adhesive backing

## TEMPERATURE RESISTANCE

Durable Acrycell sealing tape is both temperature resistant from -40 to 212°F (-40 to 100°C) and fire resistant to DIN 4102 Class B1. Finish: Black

Product name	Compressed Tape Minimum Effective Thickness Millimeters (W x D x H)	Expanded Tape Maximum Effective Thickness	Tape Width	Roll Length
.5" Sealing Tape Part No. GLAL10108-OO1CP*	5mm .20"	12.7mm .50"	10mm .39"	10m 32.8'
1" Sealing Tape Part No. GLAL10108-OO2CP*	12mm .47"	25.4mm 1.0"	15mm .59"	5.6m 18.4'
2" Sealing Tape Part No. GLAL10108-OO3CP*	22mm .87"	50.8mm 2.0"	25mm .98"	2.6m 8.5'

\*Each product comes in a case pack of 10.



WeRackYourWorld.com

### CORPORATE HEADQUARTERS

P.O. Box 551  
Edinboro, PA 16412  
1.866.TRY.GLCC  
(1.866.879.4522)  
Phone: 814.734.7303  
Fax: 814.734.3907  
glcc@greatcabinets.com

### GREAT LAKES MANUFACTURING, INC.

1521 Enterprise Road  
Corry, PA 16407  
Phone: 814.734.2436  
Fax: 814.665.7025  
glm@greatmanufacturing.net

### WESTERN DISTRIBUTION

4750 Joule Street  
Reno, NV 89502  
Phone: 775.829.9913  
Fax: 775.829.9926  
glcc@greatcabinets.com

### SOUTHEAST DISTRIBUTION

3630 Shaw Blvd.  
Suite 4, Naples, FL. 34117  
Phone: 1.866.TRY.GLCC  
Fax: 239.304.1226  
glcc@greatcabinets.com

### GREAT LAKES INTERNATIONAL LTD.

Aerbridge House, Unit 14  
Dunshaughlin Business Park  
Dunshaughlin Co. Meath  
Ireland  
Phone: 011 353 1 825 8777  
Fax: 011 353 1 825 8778  
glcc@greatcabinets.com

### GREAT LAKES HUNGARY KFT

Zsurló utca 13  
8000 Székesfehérvár  
Hungary  
Phone: 011 36 22 880 420  
Fax: 011 36 22 880 429  
glcc@greatcabinets.com