



product spotlight

AISLELOK™ UNDER RACK PANEL



APPLICATIONS

Designed to seal a variety of openings below the rack on new and existing raised server racks, the Under Rack Panel will block bypass airflow and maximize cooling system efficiency of the data center.

The AisleLok™ Under Rack Panel is the premium choice for your facility. Its revolutionary sealing technology was designed to allow easy modifications creating the flexibility to seal large and unique openings such as those found under various sized racks and cabinets. The AisleLok™ Under Rack Panel fits standard racks up to 31.5".

Based on measurements at multiple data centers, on average 60% of valuable conditioned air is not reaching the air intake of IT equipment. This lost air, known as bypass airflow, contributes to IT equipment hot spots, cooling unit inefficiencies, and increasing infrastructure costs. AisleLok products specifically address bypass airflow and its detrimental effects on data center cooling.

FEATURES

- Two designs which feature longer, durable sealing panels (27.5" and 31.5") which are customizable to seal a variety of gaps under the server rack
- Rigid PVC support frame, with a double sided adhesive, provides a permanent and non-particulating attachment to the rack. The softer, flexible sealing material easily forms under the rack and can be customized as needed
- Tool-less application — simply "peel and stick"
- Under Rack Panel seals more effectively than a comparable brush without sagging
- AisleLok products are compliant with directive 2002/95/EC of the European Parliament and the Council on the Restriction of the Use of Certain Hazardous Substances in Electrical and Electric Equipment (RoHS)

BENEFITS

- Solid PVC panel prevents sagging common in comparable products with brush type fills
- Supports increasing rack and cabinet density
- Reduces the need to purchase additional cooling units
- Improves IT equipment reliability and extends equipment life
- Complies with best practices for both raised floor and slab computer room cooling configurations (Legacy, Hot and Cold Aisle, Hot Aisle Containment, Cold Aisle Containment, etc.)

SEALING EFFECTIVENESS

Patented design is a more effective method of sealing airflow under the rack than using comparable brushes or fill materials alone.

PATENTED SEALING SYSTEM

US Patent No. 6,632,999 and International Patents Pending. Longer, durable sealing panels create a more effective seal than any comparable sealing product on the market.

MOUNTING SYSTEM

Custom adhesive mounting kit consisting of:

Double-sided adhesive backing pre-attached to the Rigid. PVC Mounting Frame

UNDER RACK PANEL

The Under Rack Panel is made from .06" Durable PVC. Finish: Black. Flammability Rating: UL94 HB

DIMENSIONS AND TILE CUTTING REQUIREMENTS

Part No. GLAL10102CP* - Overall size
Maximum Under Rack Sealing Length

INCHES (W X D X H)

27.5" x 4.53" x 1.0"
27.5"

MILLIMETERS (W X D X H)

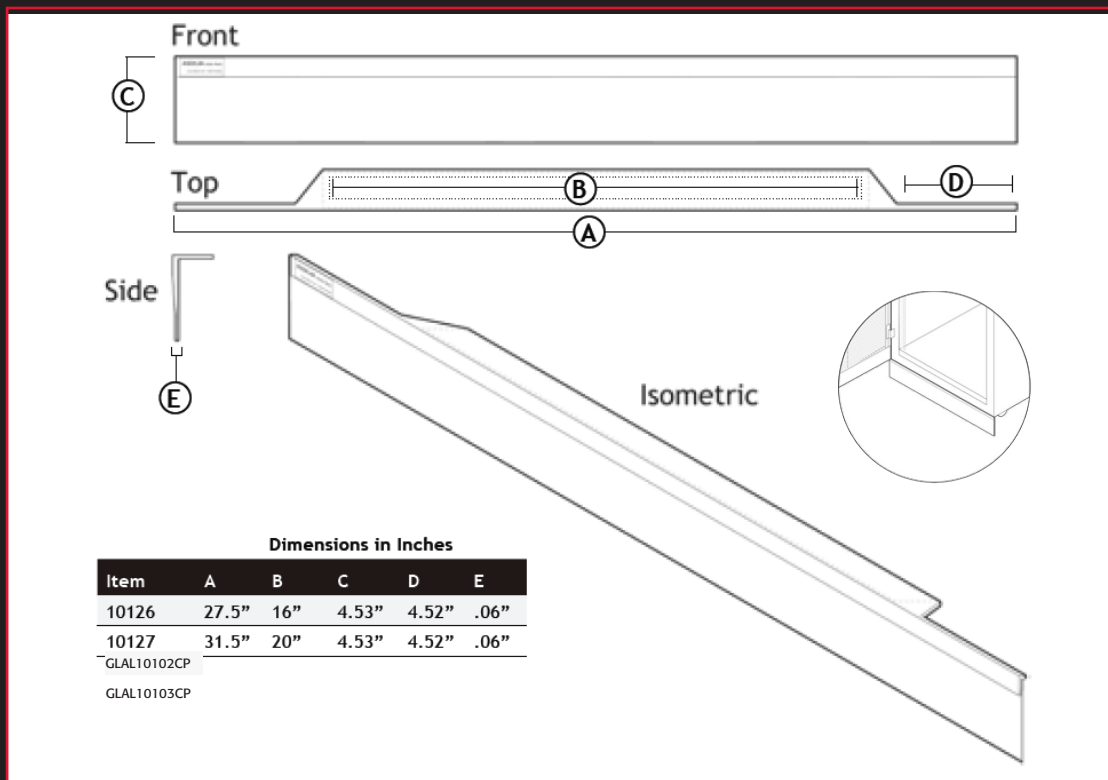
699mm x 116mm x 25mm
699mm

Part No. GLAL10103CP* - Overall size
Maximum Under Rack Sealing Length

31.5" x 4.53" x 1.0"
31.5"

801mm x 116mm x 25mm
801mm

*Each product comes in a case pack of 10.



WeRackYourWorld.com

CORPORATE HEADQUARTERS

P.O. Box 551
Edinboro, PA 16412
1.866.TRY.GLCC
(1.866.879.4522)
Phone: 814.734.7303
Fax: 814.734.3907
glcc@greatcabinets.com

GREAT LAKES MANUFACTURING, INC.

1521 Enterprise Road
Corry, PA 16407
Phone: 814.734.2436
Fax: 814.665.7025
glm@greatmanufacturing.net

WESTERN DISTRIBUTION

4750 Joule Street
Reno, NV 89502
Phone: 775.829.9913
Fax: 775.829.9926
glcc@greatcabinets.com

SOUTHEAST DISTRIBUTION

3630 Shaw Blvd.
Suite 4, Naples, FL. 34117
Phone: 1.866.TRY.GLCC
Fax: 239.304.1226
glcc@greatcabinets.com

GREAT LAKES INTERNATIONAL LTD.

Aerbridge House, Unit 14
Dunshaughlin Business Park
Dunshaughlin Co. Meath
Ireland
Phone: 011 353 1 825 8777
Fax: 011 353 1 825 8778
glcc@greatcabinets.com

GREAT LAKES HUNGARY KFT

Zsurló utca 13
8000 Székesfehérvár
Hungary
Phone: 011 36 22 880 420
Fax: 011 36 22 880 429
glcc@greatcabinets.com