

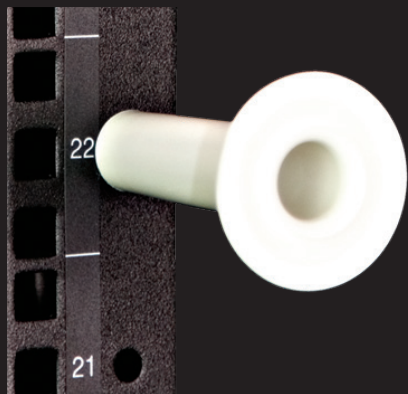


# product spotlight

## CMP AND CMP 8

### FEATURES

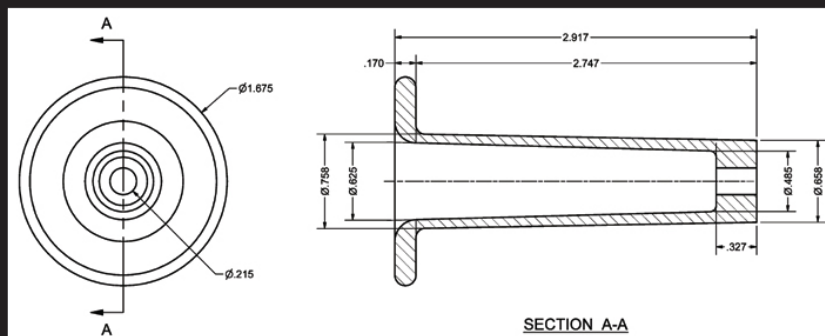
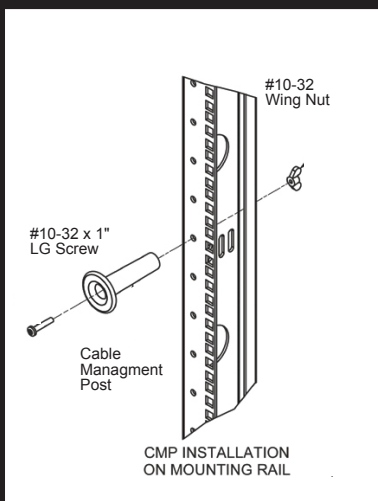
- Versatile 3" high cable management post
- Soft edge turning radius
- Install on the Flexible Mounting Profile (FMP), a series of holes outside of the EIA pattern
- Turns a Great Lakes' vertical mounting rail into a cable management guide
- Allows you to trim cables around the post to your rack mount cable manager



### PART NO.

### DESCRIPTION

PART NO.	DESCRIPTION
CMP	Single Cable Management Post, 3.00"H
CMP-8	Package of 8 Cable Management Posts



WeRackYourWorld.com

#### CORPORATE HEADQUARTERS

P.O. Box 551  
Edinboro, PA 16412  
1.866.TRY.GLCC  
(1.866.879.4522)  
Phone: 814.734.7303  
Fax: 814.734.3907  
glcc@greatcabinets.com

#### GREAT LAKES MANUFACTURING, INC.

1521 Enterprise Road  
Corry, PA 16407  
Phone: 814.734.2436  
Fax: 814.665.7025  
glm@greatmanufacturing.net

#### WESTERN DISTRIBUTION

4750 Joule Street  
Reno, NV 89502  
Phone: 775.829.9913  
Fax: 775.829.9926  
glcc@greatcabinets.com

#### SOUTHEAST DISTRIBUTION

3630 Shaw Blvd.  
Suite 4, Naples, FL. 34117  
Phone: 1.866.TRY.GLCC  
Fax: 239.304.1226  
glcc@greatcabinets.com

#### GREAT LAKES INTERNATIONAL LTD.

Aerbridge House, Unit 14  
Dunshaughlin Business Park  
Dunshaughlin Co. Meath  
Ireland  
Phone: 011 353 1 825 8777  
Fax: 011 353 1 825 8778  
glcc@greatcabinets.com

#### GREAT LAKES HUNGARY KFT

Zsurló utca 13  
8000 Székesfehérvár  
Hungary  
Phone: 011 36 22 880 420  
Fax: 011 36 22 880 429  
glcc@greatcabinets.com