



product spotlight

DUST KIT

Great Lakes WM and WD series of wall mounts are designed to fit into small spaces where a full size enclosure might not be possible, like a common work space or small room/closet environments. Many of those spaces contain high levels of dust and other contaminated particles which can have a harmful effect on equipment mounted within an enclosure.

When traditional wall mounts are placed in high dust environments, dust can enter through air vents along the side of the enclosure. Fan knockouts on the top and bottom of the enclosure can also pull in dust and contaminated particles. Equipment can become clogged, thus reducing its efficiency, shortening its lifespan, and increasing the need for maintenance.

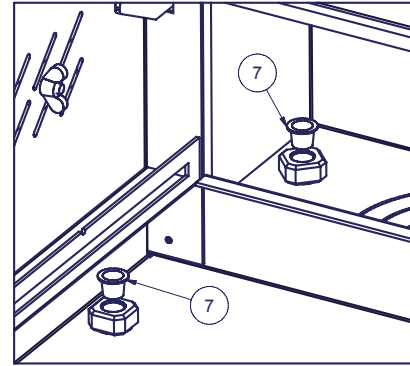
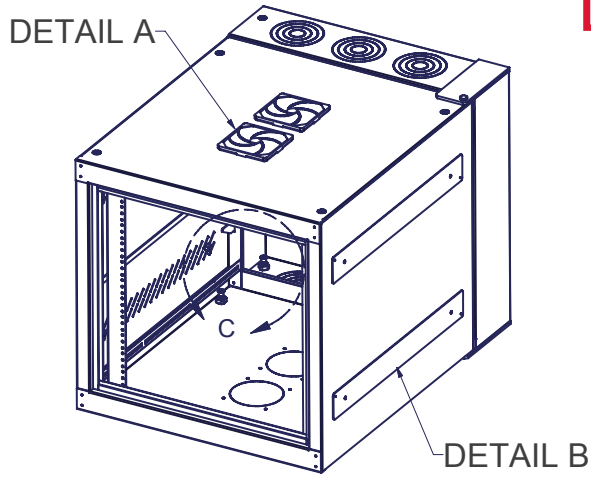
Great Lakes DK1 and DK2 dust kits help create a resistant environment to harmful air particles. Air vents on both sides of the wall mount can easily be covered with 4 dust cover plates. Dust filters are used to cover each of the 4" openings found on the top and bottom of the wall mount; clean, filtered air is now able to flow from the top to the bottom of the enclosure. Optional fans can also be installed to aid in airflow. Cap plugs (needed for the WD wall mount) are also placed in caster holes to seal off additional openings.

Dust kits are an economical solution to protecting equipment that is operating within a high dust environment. Easy installation also means that dust kits can be installed in already populated wall mounts with no equipment "down-time".

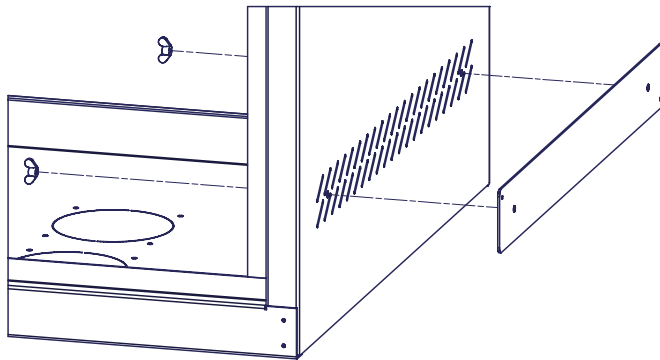


PART NO.	DESCRIPTION
DK1	Dust Resistant Kit for WD Wall Mounts; includes 4 cover plates, 4 fan filters, and cap plugs
DK2	Dust Resistant Kit for WM Wall Mounts; includes 4 cover plates and 4 fan filters
7217WS	Fan assembly with fan guards and two, 75 CFM fans; for use with WD and WM wall mounts

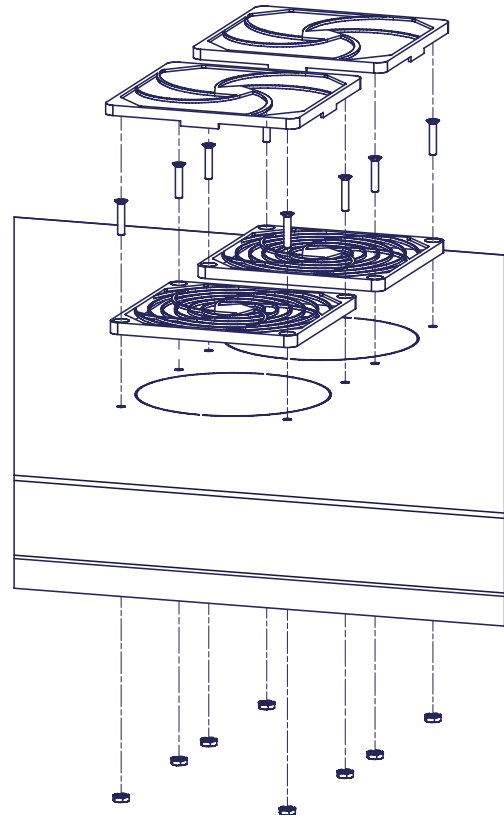
DUST KIT



DETAIL C
CASTER HOLE PLUG ASSEMBLY



DETAIL B
DUST PANEL ASSEMBLY



DETAIL A
FAN FILTER ASSEMBLY

WeRackYourWorld.com

CORPORATE HEADQUARTERS

P.O. Box 551
Edinboro, PA 16412
1.866.TRY.GLCC
(1.866.879.4522)
Phone: 814.734.7303
Fax: 814.734.3907
glcc@greatcabinets.com

GREAT LAKES MANUFACTURING, INC.

1521 Enterprise Road
Corry, PA 16407
Phone: 814.734.2436
Fax: 814.665.7025
glm@greatmanufacturing.net

WESTERN DISTRIBUTION

4750 Joule Street
Reno, NV 89502
Phone: 775.829.9913
Fax: 775.829.9926
glcc@greatcabinets.com

SOUTHEAST DISTRIBUTION

3630 Shaw Blvd.
Suite 4, Naples, FL. 34117
Phone: 1.866.TRY.GLCC
Fax: 239.304.1226
glcc@greatcabinets.com

GREAT LAKES INTERNATIONAL LTD.

Aerbridge House, Unit 14
Dunshaughlin Business Park
Dunshaughlin Co. Meath
Ireland
Phone: 011 353 1 825 8777
Fax: 011 353 1 825 8778
glcc@greatcabinets.com

GREAT LAKES HUNGARY KFT

Zsurló utca 13
8000 Székesfehérvár
Hungary
Phone: 011 36 22 880 420
Fax: 011 36 22 880 429
glcc@greatcabinets.com