

product spotlight

GL24WE SERVER SIDE WALL MOUNT

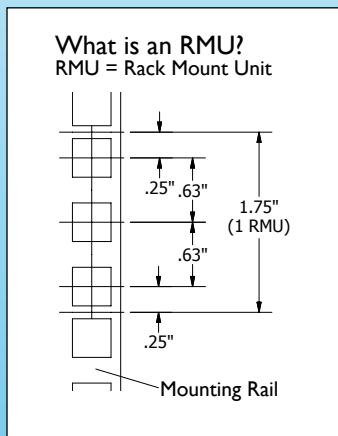
Each day, servers and networking equipment are becoming a necessary part of small business, office, school, and home environments. Where to place them becomes the greatest issue. Most of these areas were not constructed to include a place for a server/datacenter enclosure.

Great Lakes Case and Cabinet developed the GL24WE for just this purpose. Allowing for 10 RMUs (Rack Mount Units) of equipment and 350 lbs. of weight, the WE can accommodate enough equipment to create a network in a limited space. By mounting the server sideways, the WE greatly reduces the space required to mount your equipment. Utilizing lockable mesh side doors, the equipment installed inside has proper ventilation while staying secure inside the enclosure.

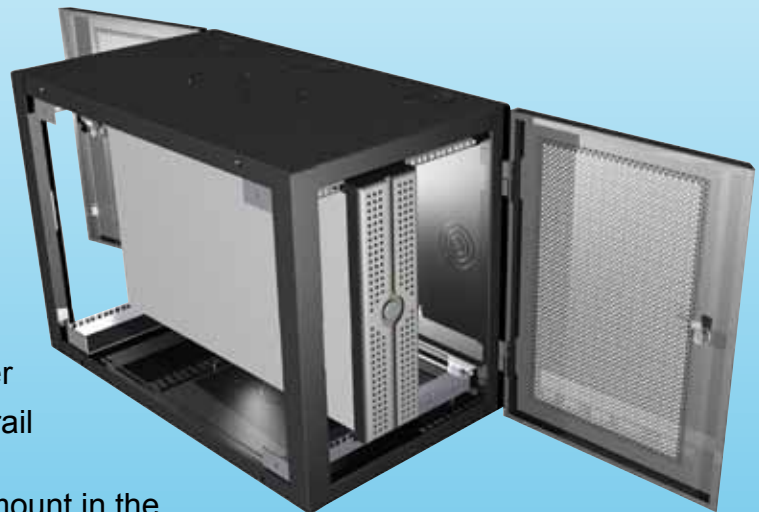
For more information, talk to your Great Lakes representative or call us at 1-866-TRY-GLCC.

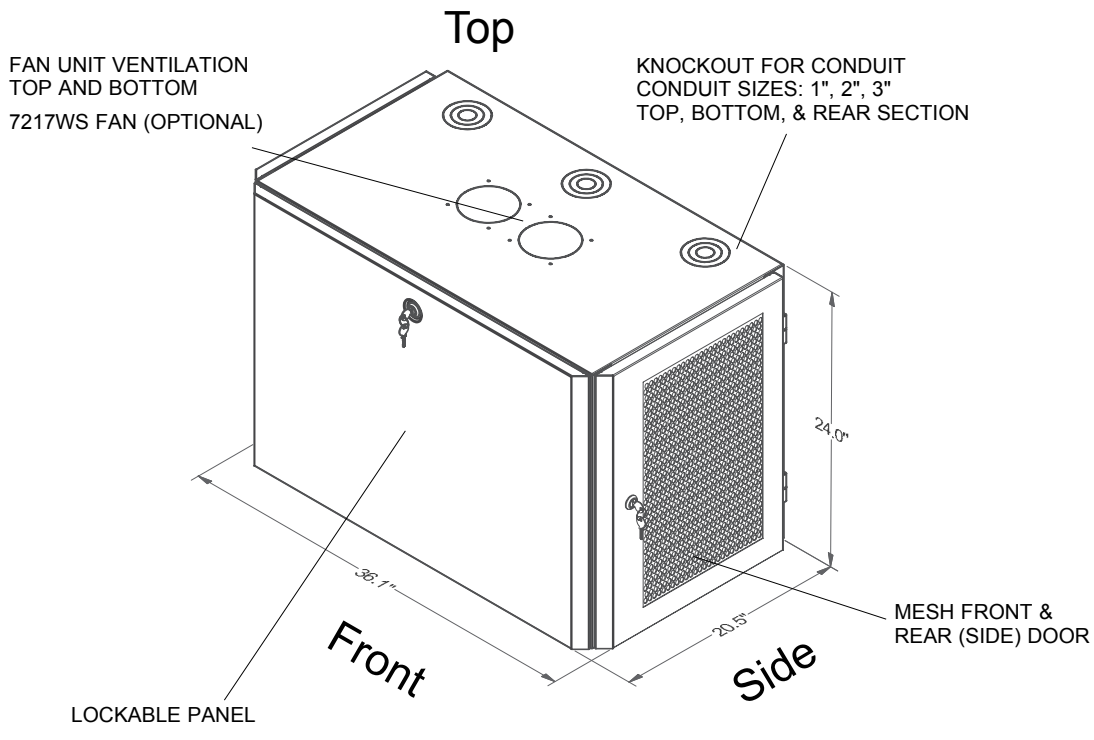
Part No. Description

GL24WE	24"H x 36"W x 20.5"D, Wt. cap.: 350 lbs. Rack Spaces: 10 RMU, Shipping Weight: 100 lbs.
7217WS	Fan assembly w/fan guards and (2) 75 CFM fans
7219	6 position rack mount power strip w/circuit breaker

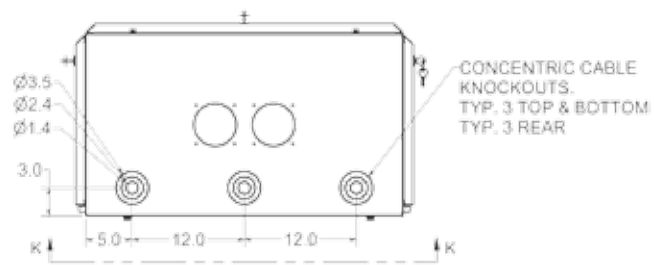


- Low profile but will still hold a 29" deep server
- Accepts rapid rail type systems
- The only wall mount in the industry that "hits" three studs!

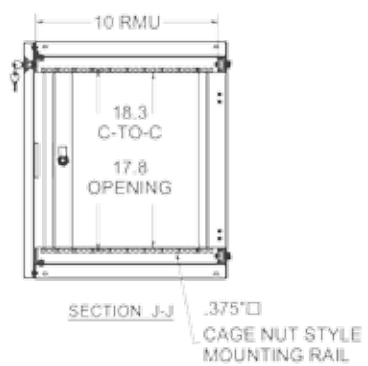




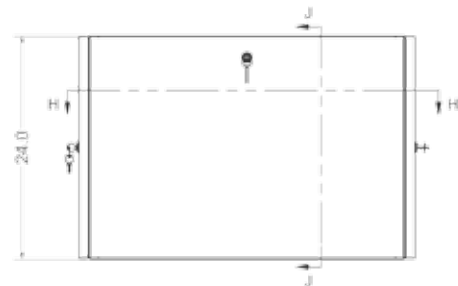
Top View



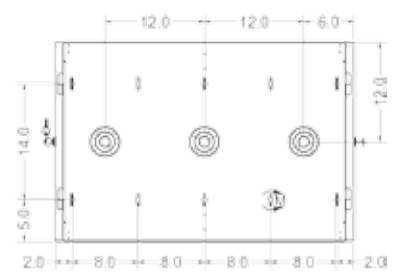
Side View



Front View



Rear View



CORPORATE HEADQUARTERS

P.O. Box 551
Edinboro, PA 16412
1.866.TRY.GLCC
(1.866.879.4522)
Phone: 814.734.7303
Fax: 814.734.3907
glcc@greatcabinets.com

GREAT LAKES MANUFACTURING, INC.

1521 Enterprise Road
Corry, PA 16407
Phone: 814.734.2436
Fax: 814.665.7025
werackyourworld.com
glm@greatmanufacturing.net

WESTERN DISTRIBUTION

4750 Joule Street
Reno, NV 89502
Phone: 775.829.9913
Fax: 775.829.9926
glcc@greatcabinets.com

GREAT LAKES INTERNATIONAL LTD.

Aerbridge House, Unit 14
Dunshaughlin Business Park
Dunshaughlin Co. Meath
Ireland
Phone: 011 353 1 825 8777
Fax: 011 353 1 825 8778

GREAT LAKES HUNGARY KFT

Zsurló utca 13
8000 Székesfehérvár
Hungary
Phone: 011 36 22 880 420
Fax: 011 36 22 880 429