



product spotlight

KOLDLOK® EXTENDED RAISED FLOOR GROMMETS



APPLICATIONS

Designed to seal a wide variety of existing and new openings. Simple modification creates the flexibility to seal large and unique openings such as those found under PDUs.

Based on measurements at multiple data centers, on average 60% of valuable conditioned air is not reaching the air intake of IT equipment due to unsealed floor openings. This lost air, known as bypass airflow, contributes to IT equipment hotspots, cooling unit inefficiencies, and increasing infrastructure costs. KoldLok products specifically address bypass airflow and its detrimental effects on data center cooling.

FEATURES

- The Grommets can be modified to seal unique cable openings as needed.
- The Grommets contain no loose or partially fastened parts, which can become separated or fall through the raised floor.
- KoldLok products are compliant with Directive 2002/95/EC of the European Parliament and the Council on the Restriction of the Use of Certain Hazardous Substances in Electrical and Electronic Equipment (RoHS).

BENEFITS

- Supports increased cabinet density
- Increases existing cooling unit capacity
- Reduces the need to purchase additional cooling units
- Improves IT equipment reliability and extends equipment life
- Increases static pressure under the raised floor and improves cool air delivery through perforated tiles and floor grates
- Compliance with best practices for all raised floor cooling configuration (Hot and Cold Aisle, Hot Aisle containment, Cold Aisle containment, etc.)

SEALING EFFECTIVENESS

- Effective bypass airflow sealing in areas undisturbed by cable penetrations at static pressures up to 0.10 inches of water column
- Effective bypass airflow sealing with four ½ inch cables penetrating the Grommet at static pressure required to cool up to 3 kW/cabinet
- Effective bypass airflow sealing with four ½ inch cables penetrating the Grommet at a static pressure of 0.50 inches of water column

OTHER MATERIALS

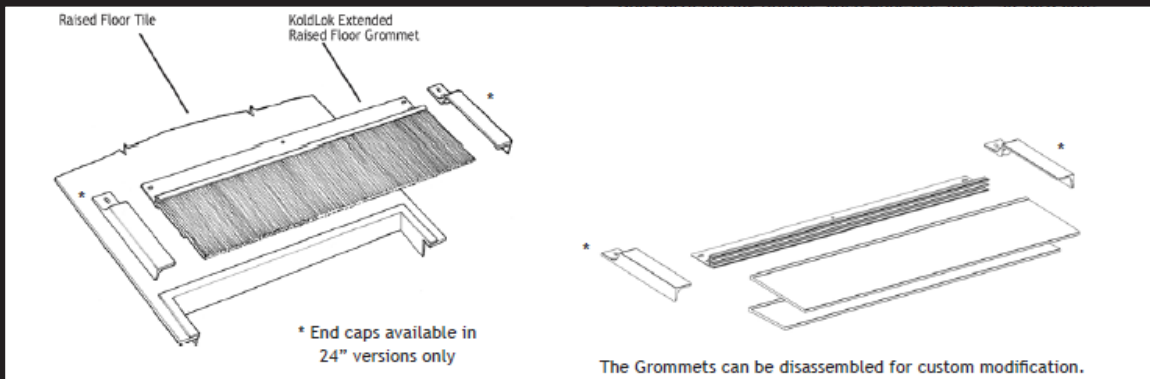
- Metal Extrusion filament holder: anodized aluminum alloy, black finish
- End Caps: PC/ABS, black (Provided with 24" versions only)

FLOOR MOUNTING SYSTEM

24" Grommets come standard with two (2) end caps, double-sided, non-particulating adhesive mounting kit and five (5) self-tapping screws per grommet.

60" Grommets DO NOT come standard with end caps, adhesive mounting kit or self-tapping screws. Optional mounting tape or screws are available for custom installations. Minimum order may apply. Please call for details.

Dimensions and Cutting Requirements	Inches (W x D)	Millimeters (W x D)
Part No. GLKL10012CP (3"x24") - Overall size	24" x 5.05"	610 x 128mm
Maximum cutout size sealed	24" x 4"	610 x 102mm
Usable cable area	22" x 2.5"	559 x 64mm
Product height above the raised floor	1" w/ mounting kit installed	25mm
Part No. GLKL10013CP (6"x24") - Overall size	24" x 8.08"	610 x 205mm
Maximum cutout size sealed	24" x 7"	610 x 178mm
Usable cable area	22" x 5.5"	559 x 140mm
Product height above the raised floor	1" w/ mounting kit installed	25mm
Part No. GLKL10097CP (3"x60") - Overall size	60" x 5.998"	610 x 152mm
Maximum cutout size sealed	60" x 4"	610 x 102mm
Usable cable area	60" x 2.5"	610 x 64mm
Product height above the raised floor	1" w/ adhesive tape installed	25mm
Part No. GLKL10098CP (6"x60") - Overall size	60" x 9.025"	610 x 229mm
Maximum cutout size sealed	60" x 7"	610 x 178mm
Usable cable area	60" x 5.5"	610 x 140mm
Product height above the raised floor	1" w/ adhesive tape installed	25mm



WeRackYourWorld.com

CORPORATE HEADQUARTERS

P.O. Box 551
Edinboro, PA 16412
1.866.TRY.GLCC
(1.866.879.4522)
Phone: 814.734.7303
Fax: 814.734.3907
glcc@greatcabinets.com

GREAT LAKES MANUFACTURING, INC.

1521 Enterprise Road
Corry, PA 16407
Phone: 814.734.2436
Fax: 814.665.7025
glm@greatmanufacturing.net

WESTERN DISTRIBUTION

4750 Joule Street
Reno, NV 89502
Phone: 775.829.9913
Fax: 775.829.9926
glcc@greatcabinets.com

SOUTHEAST DISTRIBUTION

3630 Shaw Blvd.
Suite 4, Naples, FL. 34117
Phone: 1.866.TRY.GLCC
Fax: 239.304.1226
glcc@greatcabinets.com

GREAT LAKES INTERNATIONAL LTD.

Aerbridge House, Unit 14
Dunshaughlin Business Park
Dunshaughlin Co. Meath
Ireland
Phone: 011 353 1 825 8777
Fax: 011 353 1 825 8778
glcc@greatcabinets.com

GREAT LAKES HUNGARY KFT

Zsurló utca 13
8000 Székesfehérvár
Hungary
Phone: 011 36 22 880 420
Fax: 011 36 22 880 429
glcc@greatcabinets.com