



product spotlight

KOLDLOK® INTEGRAL RAISED FLOOR GROMMETS



Integral
GLKL1010CP



Split Integral
GLKL3030CP

APPLICATIONS

Designed to seal openings in new raised floor cutouts prior to the installation of communications or power cabling. Based on measurements at multiple data centers, on average 60% of valuable conditioned air is not reaching the air intake of IT equipment due to unsealed floor openings. This lost air, known as bypass airflow, contributes to IT equipment hot spots, cooling unit inefficiencies, and increasing infrastructure costs. KoldLok products specifically address bypass airflow and its detrimental effects on data center cooling.

FEATURES

- The Split Integral Grommets allow tiles to be moved without capturing cables
- The Grommets contain no loose or partially fastened parts, which can become separated or fall through the raised floor
- The Grommets are impact resistant and durable
- The Grommets satisfy NFPA 75 Section 5-4.4 requirement by self-dressing the raw metal edges of raised floor tile cable cutouts
- KoldLok products are compliant with Directive 2002/95/EC of the European Parliament and the Council on the Restriction of the Use of Certain Hazardous Substances in Electrical and Electronic Equipment (RoHS)

BENEFITS

- Increases existing cooling unit capacity
- Reduces the need to purchase additional cooling units
- Improves equipment reliability and extends equipment life
- Increases static pressure under the raised floor and improves cool air delivery through perforated tiles and floor grates
- Facilitates Cold Aisle/Hot Aisle best practices

SEALING EFFECTIVENESS

- Effective bypass-airflow sealing in areas undisturbed by cable penetrations at static pressures up to 0.10 inches of water column
- Effective bypass-airflow sealing with four, half-inch cables penetrating the Grommet at a static pressure of 0.10 inches of water column

PATENT PENDING SEALING SYSTEM

U.S. Patent No. RE41863 and International Patents Pending Multi-layer, opposing and interwoven filaments consisting of:

- 0.010 inch diameter upper filaments
- 0.020 inch diameter lower filaments
- Approximately 25,000 filaments per Grommet
- Ensure passage of 100 amp power connectors

FLOOR MOUNTING SYSTEM

Four (4) self-drilling screws are provided for installation.

GROMMET FRAME

The Integral Raised Floor Grommet frame is molded from durable polypropylene. The Split Integral Raised Floor Grommet frame also consists of two, interlocking polypropylene halves. Finish: Black

DIMENSIONS AND TILE CUTTING REQUIREMENTS

Part No. GLKL1010CP & GLKL3030CP* - Overall size

Minimum cut required to install in interior of the tile

Minimum cut required to install long side of grommet

Usable cable area

Product height above the raised floor

INCHES (W X D X H)

11" x 8 1/4" x 1 5/8"

9 1/4" x 6 3/4"

9 1/4" x 6 3/4"

8" x 4"

1/8"

MILLIMETERS (W X D X H)

279 x 210 x 41mm

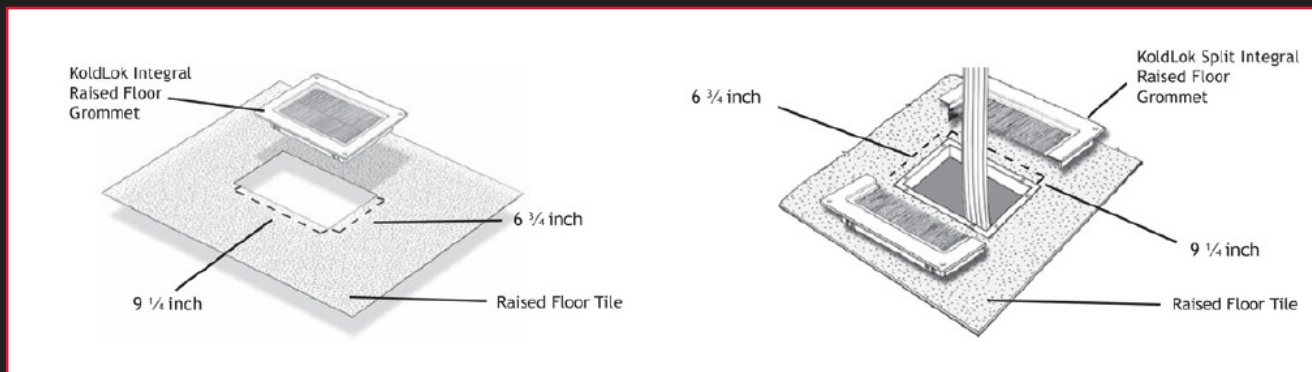
235 x 172mm

235 x 191mm

203 x 102mm

3mm

*Each product comes in a case pack of 10.



WeRackYourWorld.com

CORPORATE HEADQUARTERS

P.O. Box 551
Edinboro, PA 16412
1.866.TRY.GLCC
(1.866.879.4522)
Phone: 814.734.7303
Fax: 814.734.3907
glcc@greatcabinets.com

GREAT LAKES MANUFACTURING, INC.

1521 Enterprise Road
Corry, PA 16407
Phone: 814.734.2436
Fax: 814.665.7025
glm@greatmanufacturing.net

WESTERN DISTRIBUTION

4750 Joule Street
Reno, NV 89502
Phone: 775.829.9913
Fax: 775.829.9926
glcc@greatcabinets.com

SOUTHEAST DISTRIBUTION

3630 Shaw Blvd.
Suite 4, Naples, FL. 34117
Phone: 1.866.TRY.GLCC
Fax: 239.304.1226
glcc@greatcabinets.com

GREAT LAKES INTERNATIONAL LTD.

Aerbridge House, Unit 14
Dunshaughlin Business Park
Dunshaughlin Co. Meath
Ireland
Phone: 011 353 1 825 8777
Fax: 011 353 1 825 8778
glcc@greatcabinets.com

GREAT LAKES HUNGARY KFT

Zsurló utca 13
8000 Székesfehérvár
Hungary
Phone: 011 36 22 880 420
Fax: 011 36 22 880 429
glcc@greatcabinets.com