



product spotlight

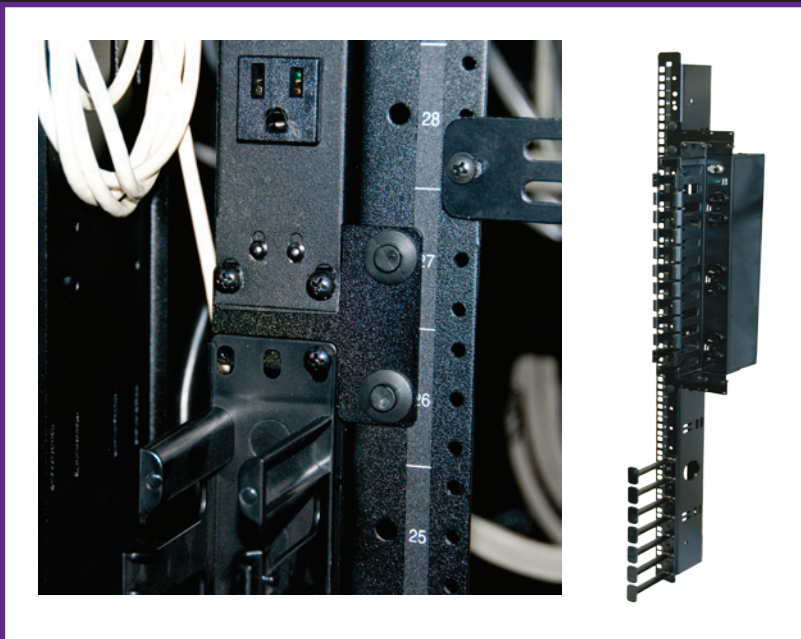
ZR1 & ZR2 BRACKETS

Many times you have additional power strips, patch panels or other rack-mounted accessories you want to mount in your server enclosure, but you don't have enough RMU space to do it. That's never a problem with Great Lakes' 29" E series or 30"W ES Series enclosures when you use our new ZR1 or ZR2 brackets!

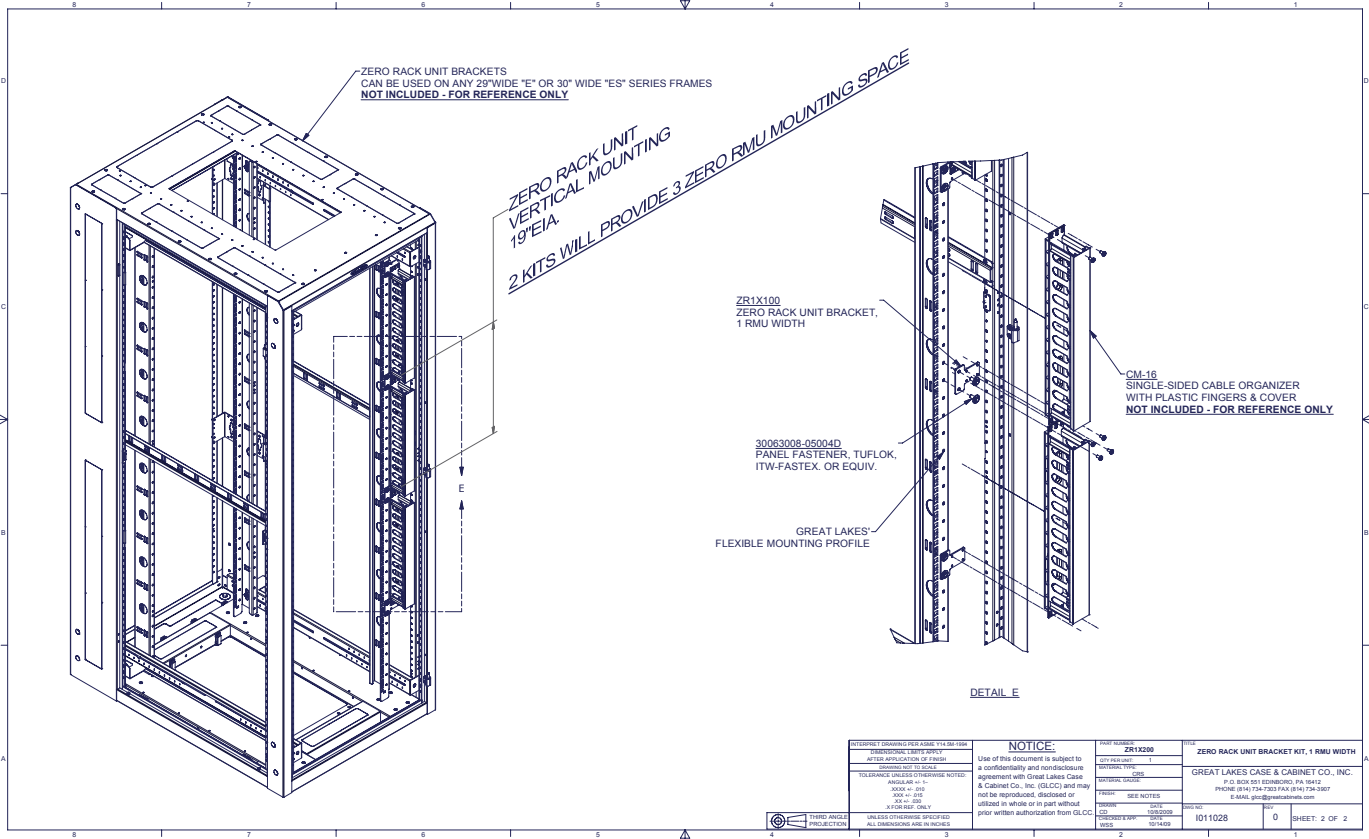
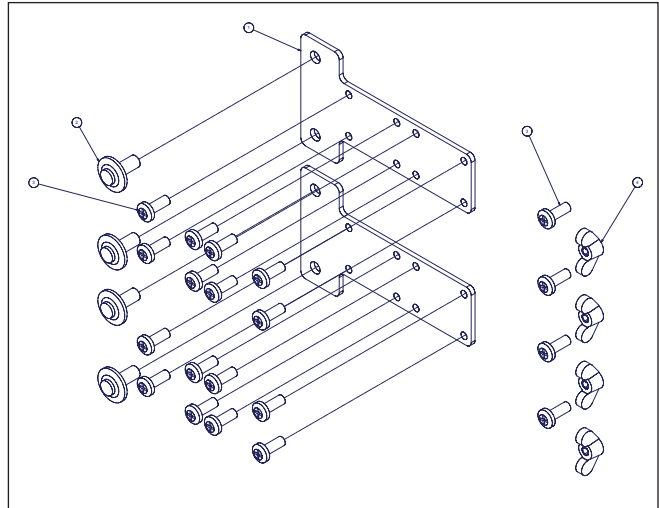
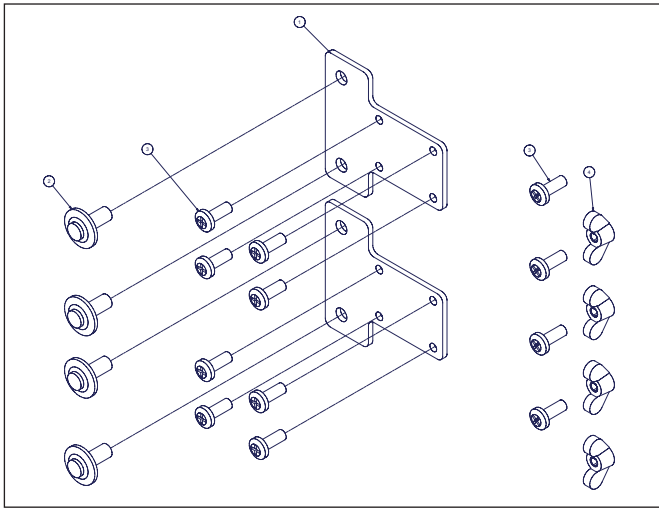
The "ZR" stands for "Zero RMU" because no traditional rack mounted unit space is sacrificed in the rails. The ZR1 (1 RMU) and ZR2 (2 RMU) brackets utilize Great Lakes' proprietary Flexible Mounting Profile (FMP) which is a series of mounting holes on our ES rails which lie outside the traditional RMU pattern.

You can mount six 1U, 19" EIA accessories in both the front and rear of the enclosure, adding an additional 12 RMU outside the rail pattern. You can also double that additional mounting space (24 RMU) by using our ZR2 brackets. The brackets install easily with a simple, reusable plastic fastener. The brackets are available in kits of two. (As shown in the graphic on the back of this spotlight, two ZR1 kits installed in sequence can provide 3 "zero" RMU mounting space!)

The mounting possibilities are endless, for patch panels, sensors, power strips, cable management and a number of other possibilities without sacrificing any rated RMU space within the enclosure. Tremendous flexibility in a server enclosure; it's what you'd expect from Great Lakes. For more information, contact your Great Lakes representative or call us at 1- 866-TRY-GLCC (1-866-879-4522). You can also visit us on the web at werackyourworld.com



PART NO.	DESCRIPTION
ZR1	Zero Rack Bracket Kit, 1 RMU
ZR2	Zero Rack Bracket Kit, 2 RMU



<p>NETPRT DRAWING PER ASME Y14.5M 1994</p> <p>REVISIONS: 10/01/04 AFTER APPLICATION OF FINISH</p> <p>DESIGNED BY: [REDACTED]</p> <p>DATE: 10/01/04</p> <p>SCALE: 1:1</p> <p>PROJ: 1011028</p> <p>DATE: 10/01/04</p> <p>BY: [REDACTED]</p> <p>CHK: [REDACTED]</p> <p>APP: [REDACTED]</p> <p>ALL DIMENSIONS ARE IN INCHES</p>	<p>NOTICE:</p> <p>Use of this document is subject to a confidentiality and non-disclosure agreement with Great Lakes Case & Cabinet Co., Inc. (GLCC) and may not be reproduced, disclosed or utilized in whole or in part without prior written authorization from GLCC.</p>	<p>PART NUMBER: ZR1X200</p> <p>QTY REQUIRED: 1</p> <p>REVISED BY: [REDACTED]</p> <p>REVISED DATE: 08/01/04</p> <p>PROJ: 1011028</p> <p>DATE: 10/01/04</p> <p>BY: [REDACTED]</p> <p>CHK: [REDACTED]</p> <p>APP: [REDACTED]</p>	<p>ZERO RACK UNIT BRACKET KIT, 1 RMU WIDTH</p> <p>GREAT LAKES CASE & CABINET CO., INC.</p> <p>P.O. BOX 121 ECONOMY, PA 16121</p> <p>PHONE (814) 734-7307 FAX (814) 734-3907</p> <p>E-MAIL: glcc@greatlakes.com</p>
---	---	---	--

WeRackYourWorld.com

CORPORATE HEADQUARTERS

P.O. Box 551
Edinboro, PA 16412
1.866.TRY.GLCC
(1.866.879.4522)
Phone: 814.734.7303
Fax: 814.734.3907
glcc@greatcabinets.com

GREAT LAKES MANUFACTURING, INC.

1521 Enterprise Road
Corry, PA 16407
Phone: 814.734.2436
Fax: 814.665.7025
glm@greatmanufacturing.net

WESTERN DISTRIBUTION

4750 Joule Street
Reno, NV 89502
Phone: 775.829.9913
Fax: 775.829.9926
glcc@greatcabinets.com

SOUTHEAST DISTRIBUTION

3630 Shaw Blvd.
Suite 4, Naples, FL. 34117
Phone: 1.866.TRY.GLCC
Fax: 239.304.1226
glcc@greatcabinets.com

GREAT LAKES INTERNATIONAL LTD.

Aerbridge House, Unit 14
Dunshaughlin Business Park
Dunshaughlin Co. Meath
Ireland
Phone: 011 353 1 825 8777
Fax: 011 353 1 825 8778
glcc@greatcabinets.com

GREAT LAKES HUNGARY KFT

Zsurló utca 13
8000 Székesfehérvár
Hungary
Phone: 011 36 22 880 420
Fax: 011 36 22 880 429
glcc@greatcabinets.com