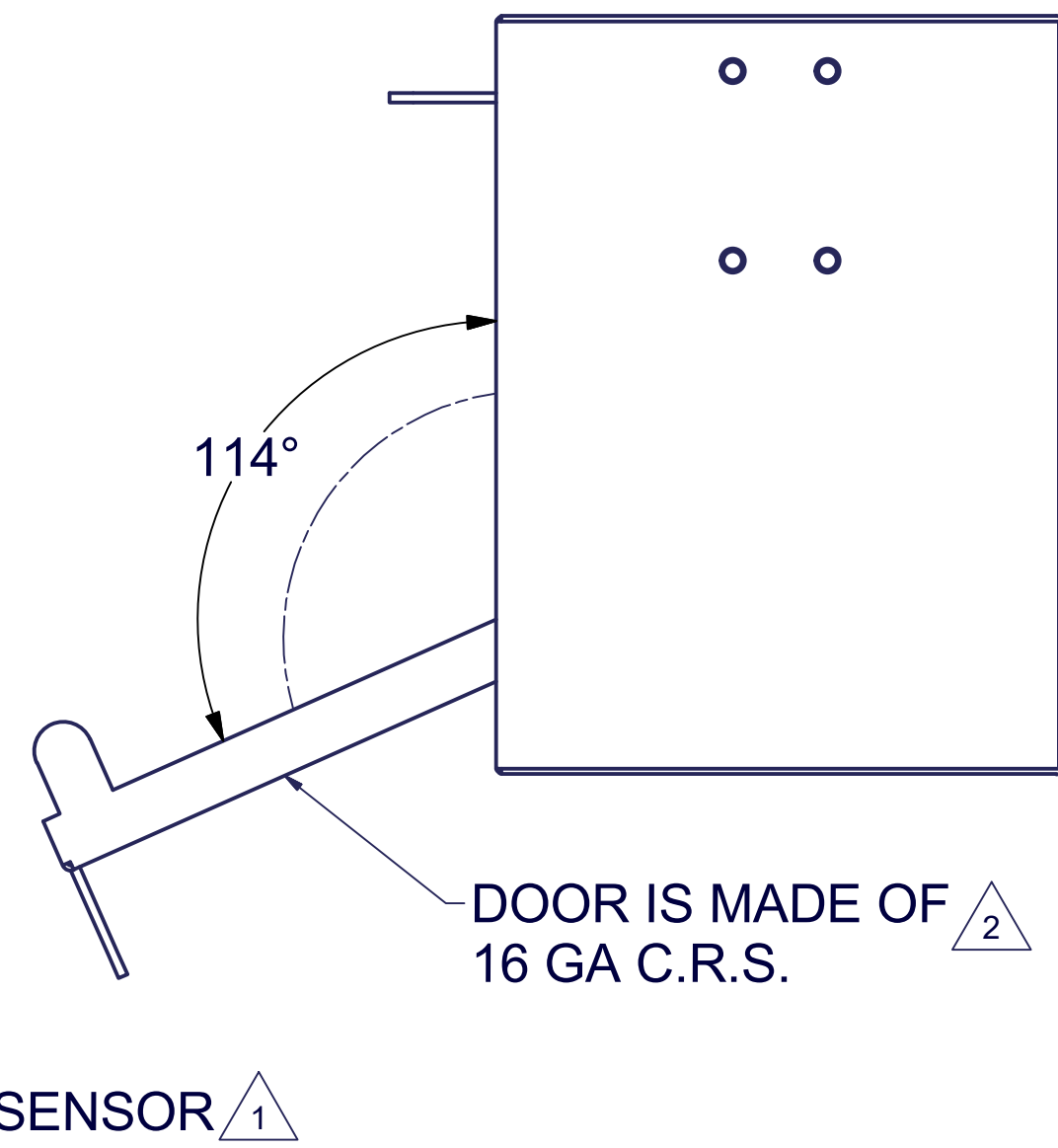
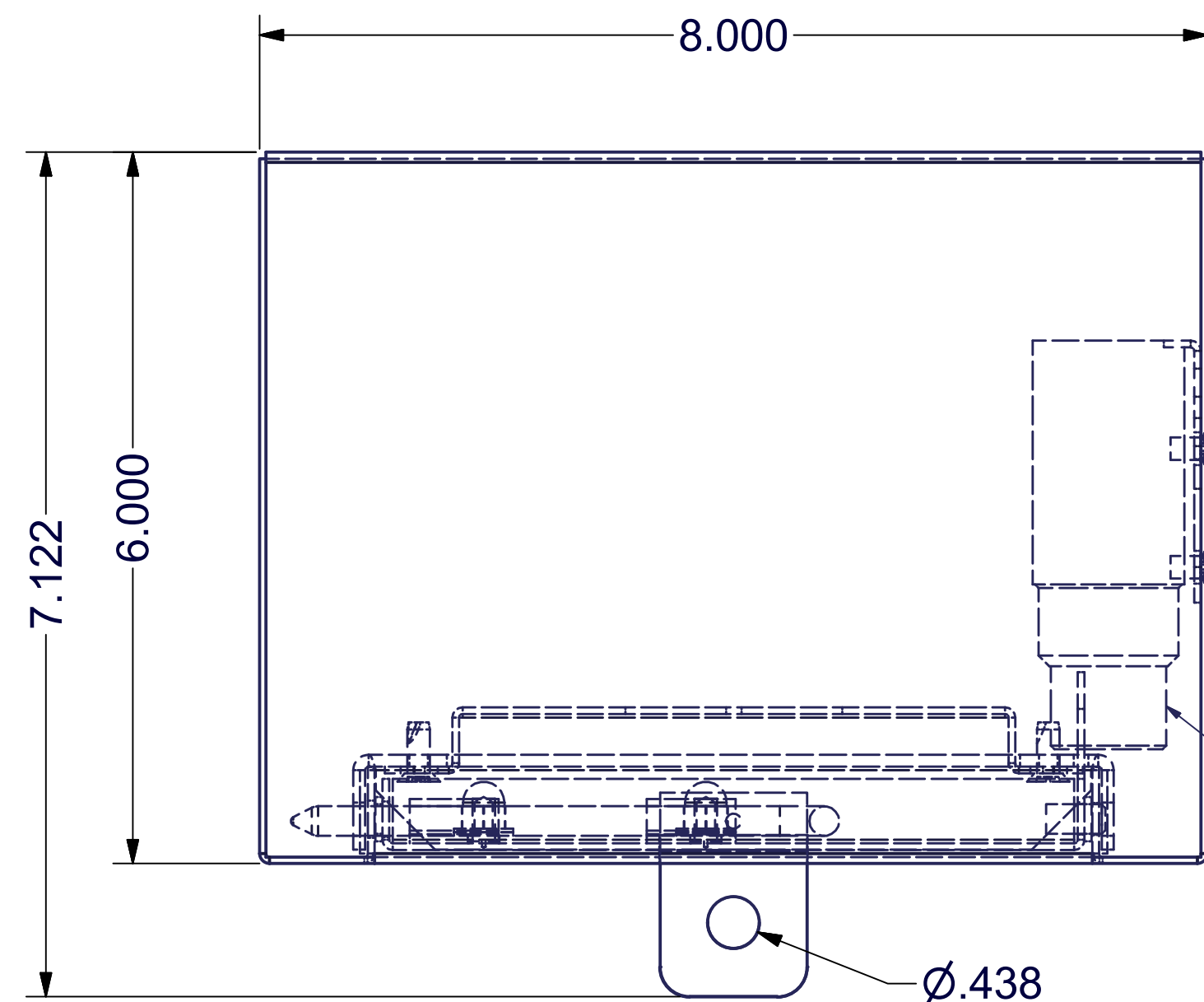
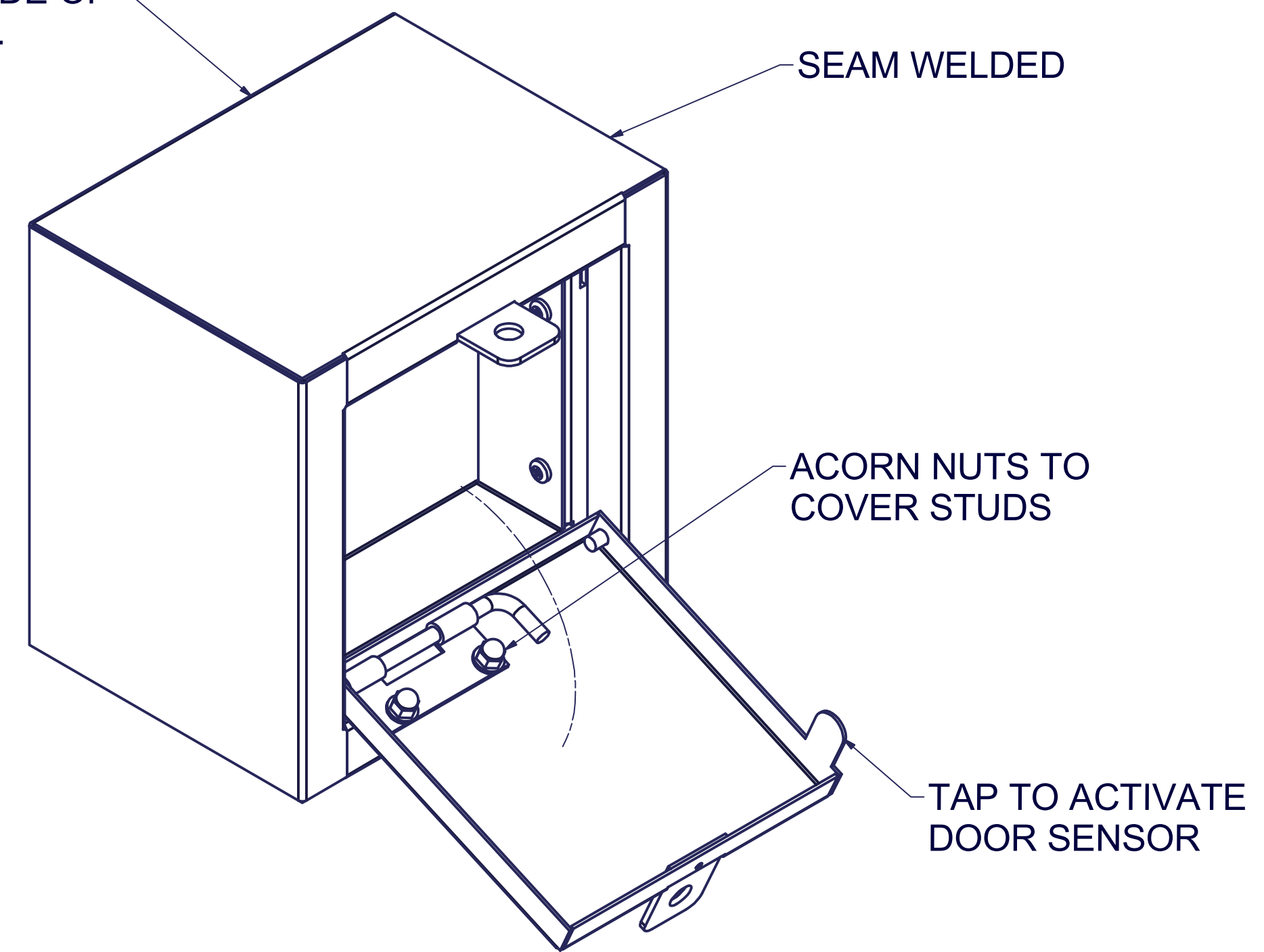


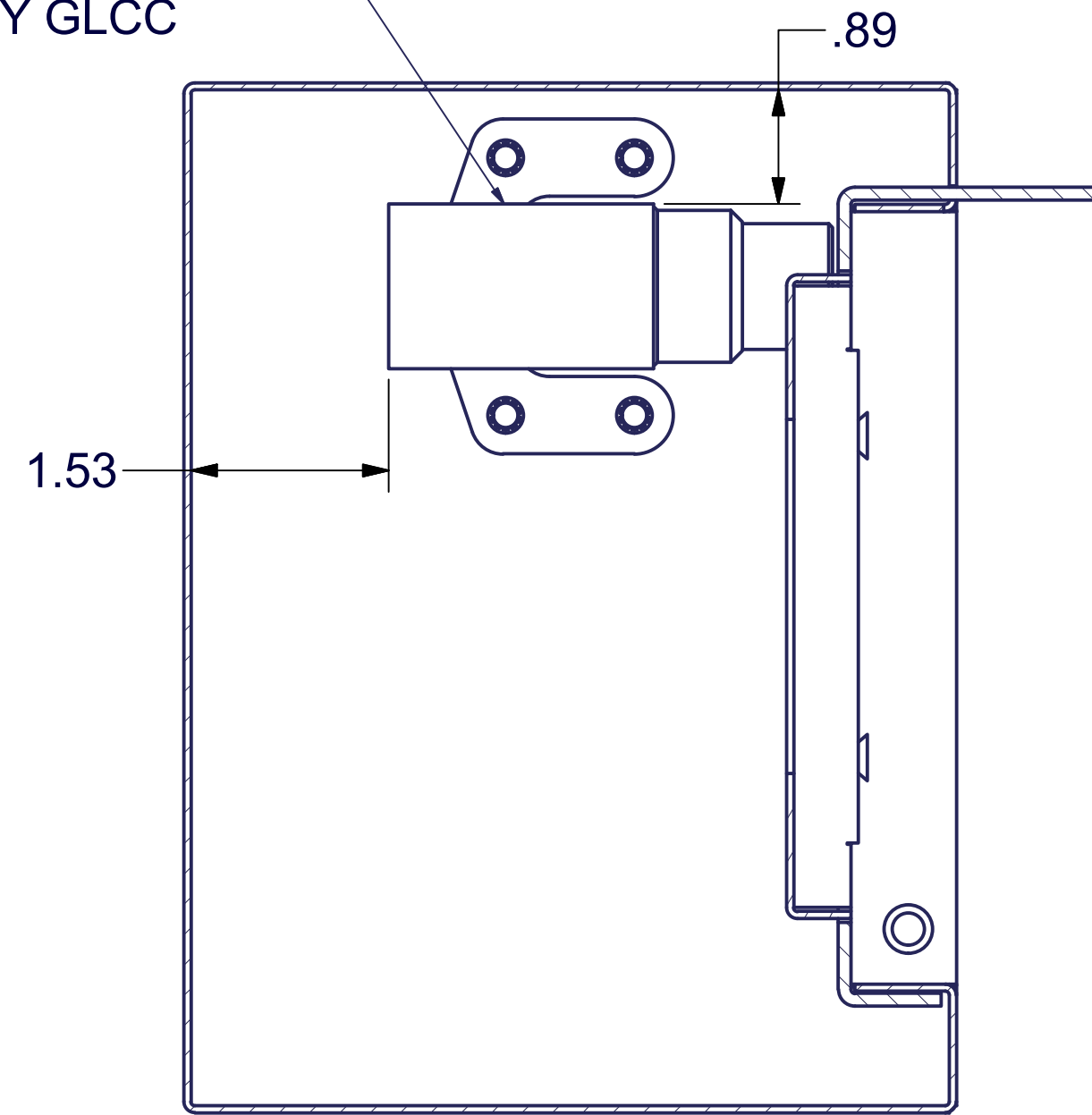
REVISION HISTORY			
REV	DESCRIPTION	DATE	APPROVED
0	PRELIMINARY	11/30/2018	PCS
1	PRELIMINARY	12/12/2018	PCS
2	ECO-07581	2/12/2019	PCS
3	ECO-07581	2/14/2018	PCS



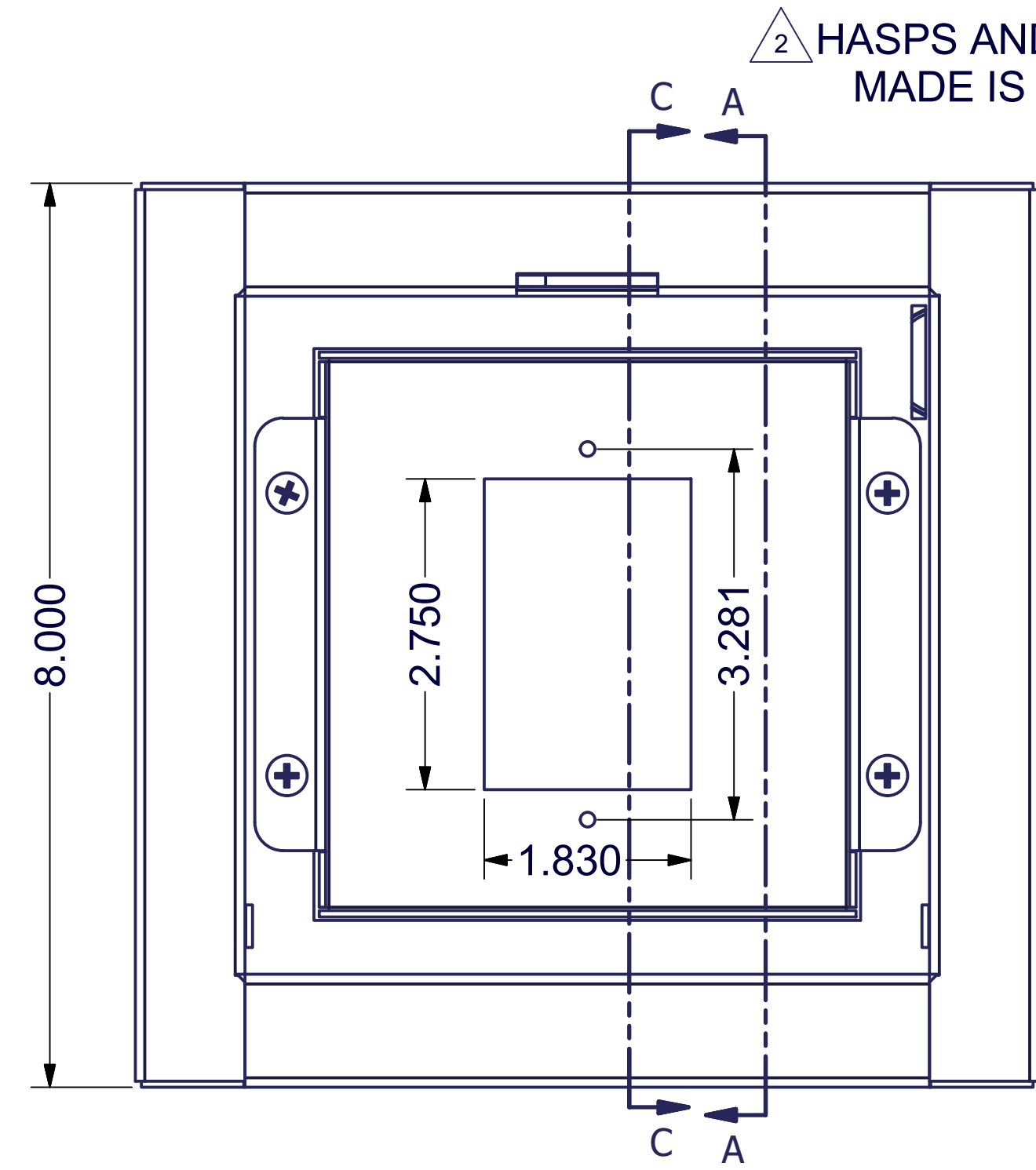
2 BODY IS MADE OF 16 GA C.R.S. SEAM WELDED



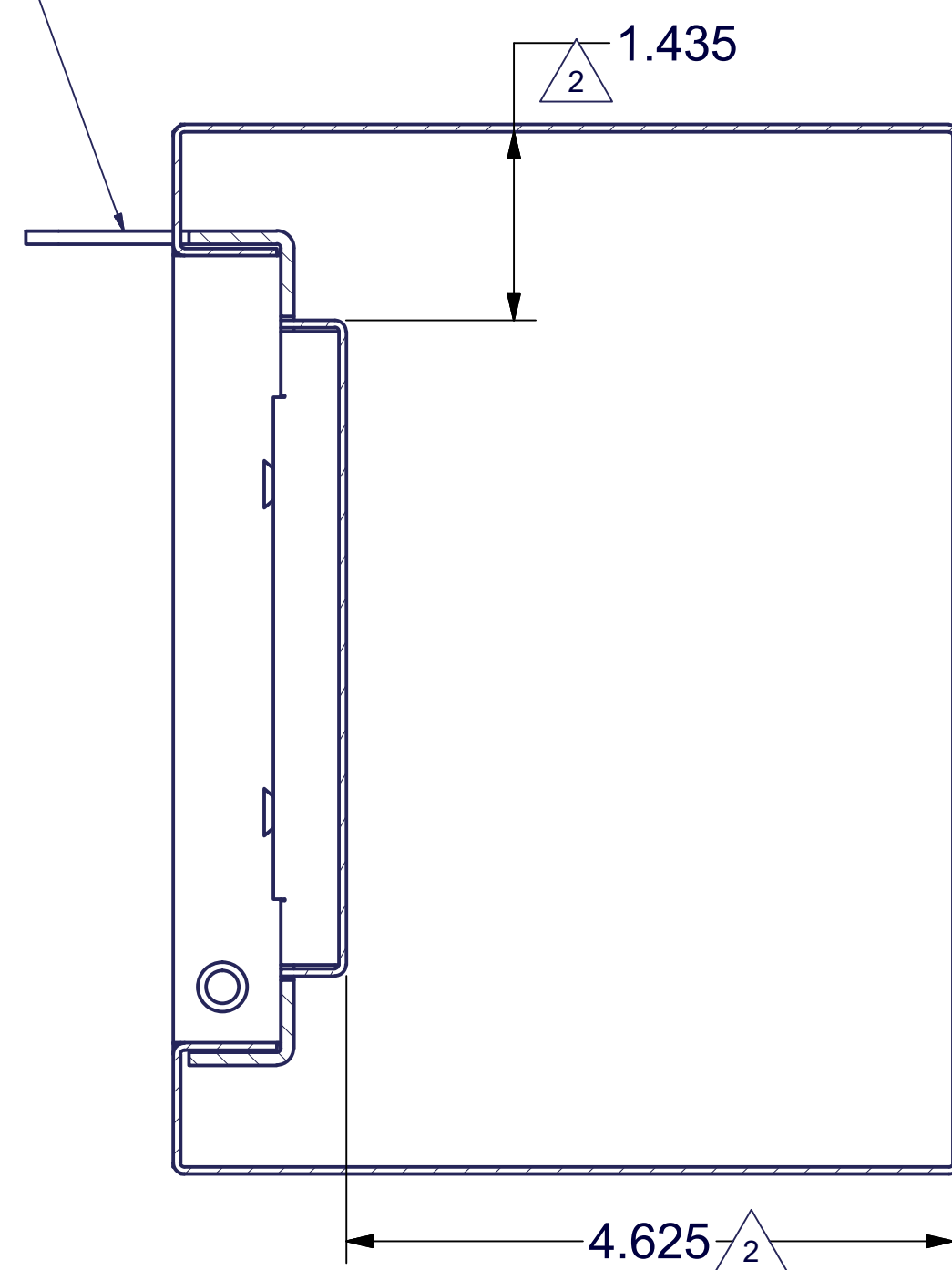
SENSOR INSTALLED WITH ACORN NUTS (SENSOR TO BE PROVIDED BY CUSTOMER AND INSTALLED BY GLCC)



SECTION C-C



2 HASPS AND DOOR JAM MADE IS 12 GA C.R.S.



SECTION A-A

2 ADDED SHEET 2

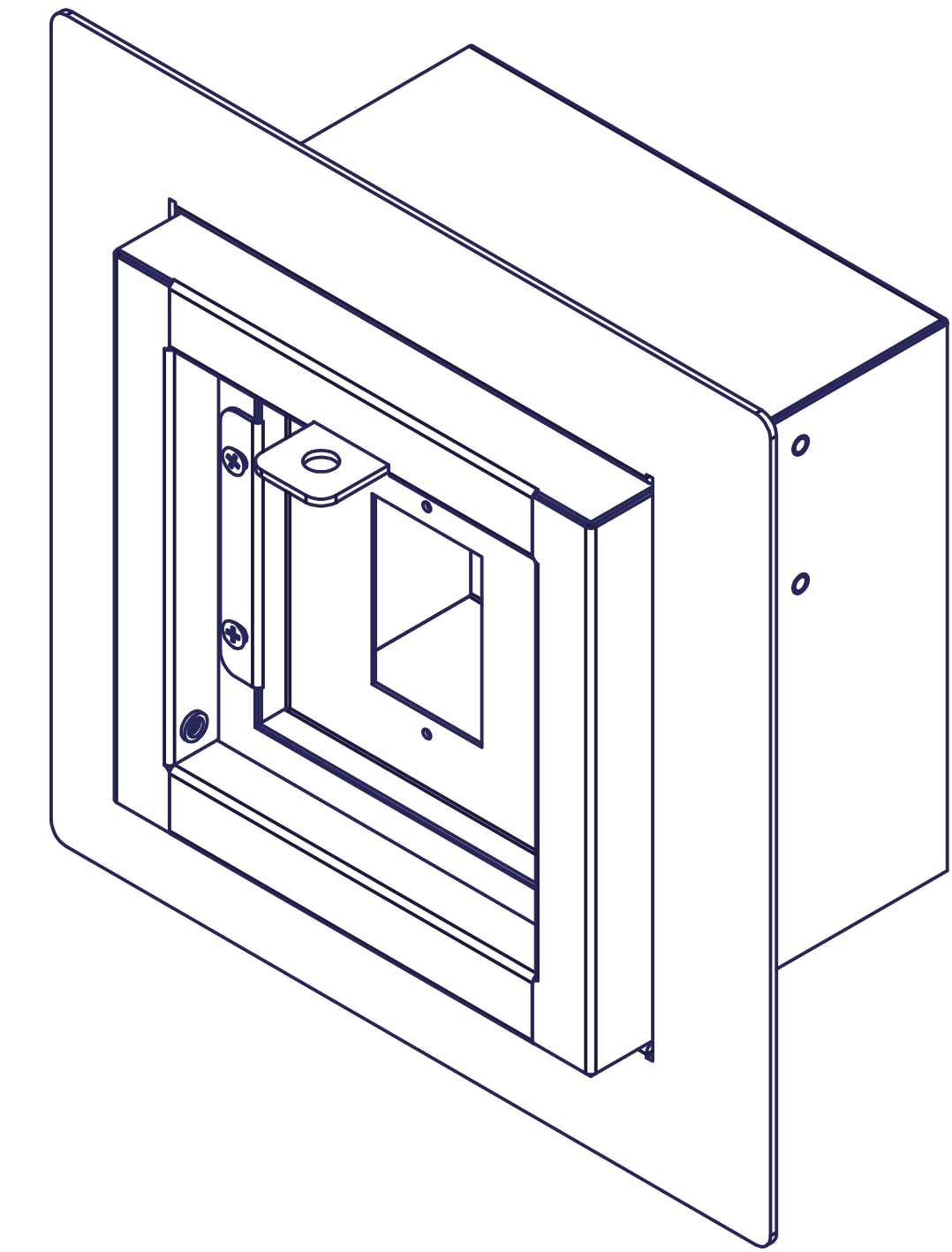
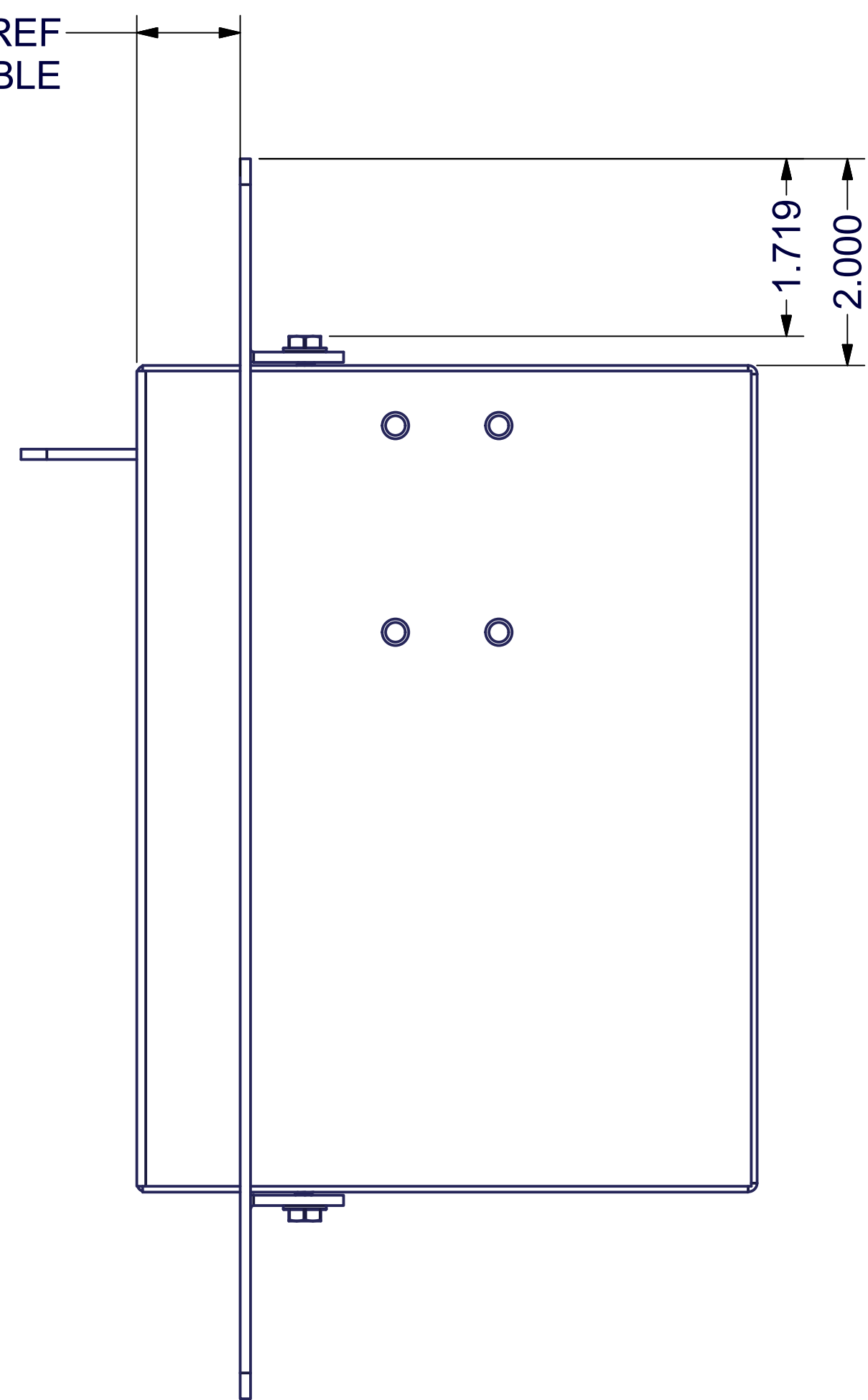
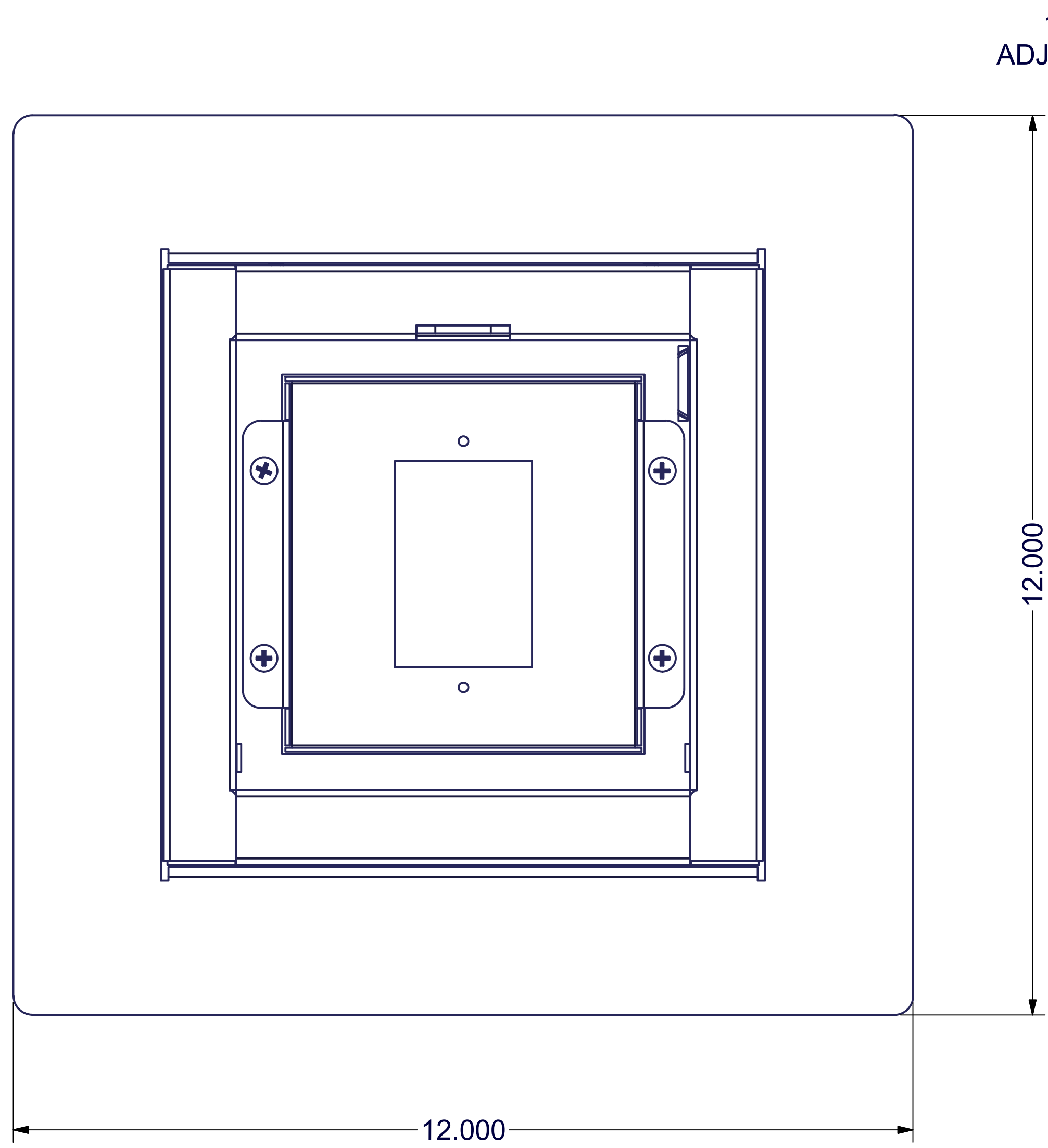
INTERPRET DRAWING PER ASME Y14.5M-1994
DIMENSIONAL LIMITS APPLY AFTER APPLICATION OF FINISH
DRAWING NOT TO SCALE
TOLERANCE UNLESS OTHERWISE NOTED:
ANGULAR +/- 1°
.XXXX +/- .010
.XXX +/- .015
.XX +/- .030
.X FOR REF. ONLY
UNLESS OTHERWISE SPECIFIED ALL DIMENSIONS ARE IN INCHES

**NOTICE:**  
Use of this document is subject to a confidentiality and nondisclosure agreement with Great Lakes Case & Cabinet Co., Inc. (GLCC) and may not be reproduced, disclosed or utilized in whole or in part without prior written authorization from GLCC.

PART NUMBER: SEAL-ACPDS-UBSE886R
QTY PER UNIT: 1
MATERIAL TYPE: CRS
MATERIAL GAUGE: 16 GA
FINISH: POWDERCOAT
DRAWN: PCS
CHECKED:
DATE: 11/30/2018

TITLE: 8.00"H x 8.00"W x 6.00"D HIGH SECURITY ENCLOSURE ASSEMBLY
GREAT LAKES CASE & CABINET CO., INC. P.O. BOX 551 EDINBORO, PA 16412 PHONE (814) 734-7303 FAX (814) 734-3907 E-MAIL glcc@greatcabinets.com
DWG NO: I-2864
REV: 3
SHEET 1 OF 2

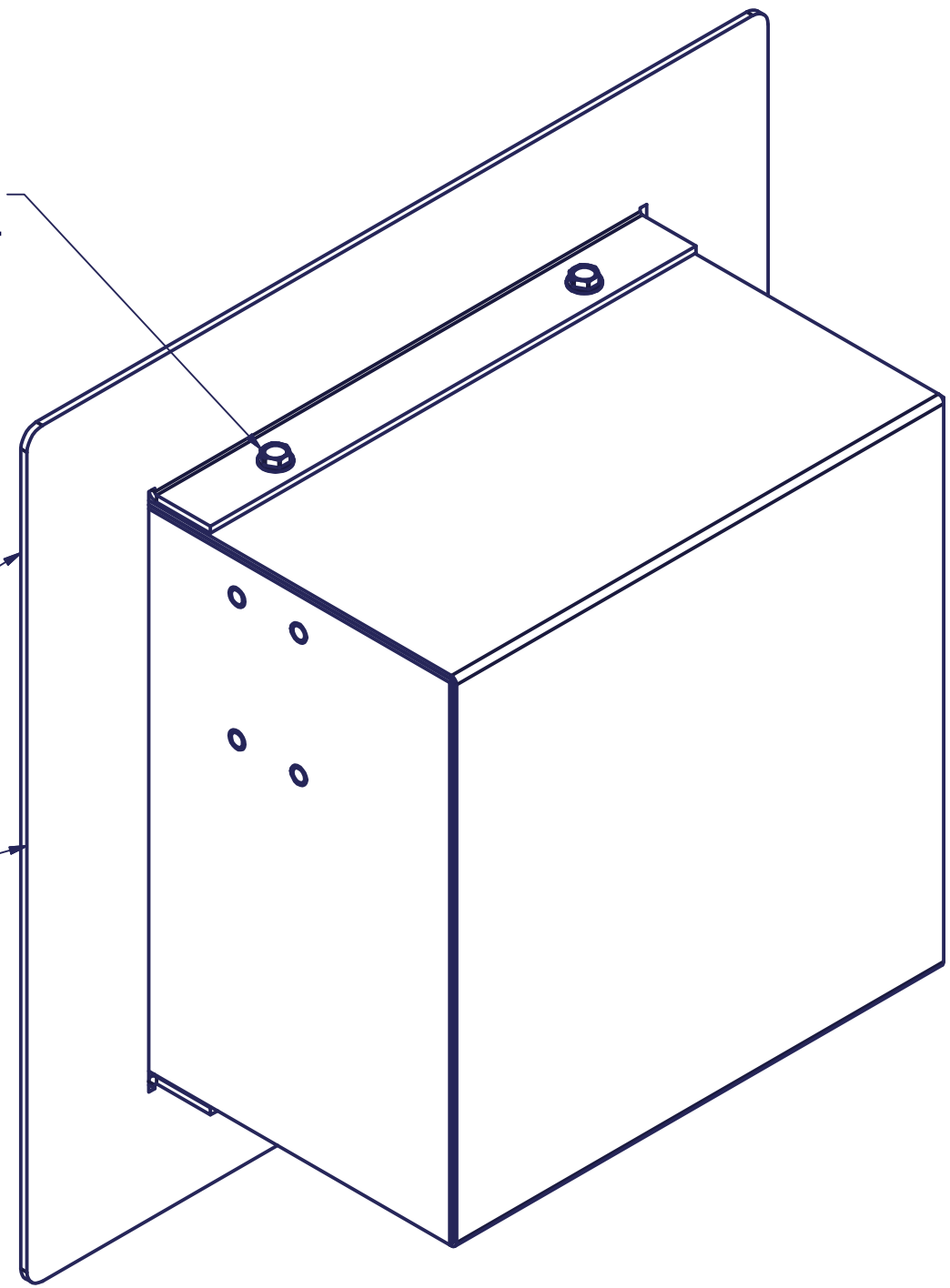
Previous part number DC#12168



SELF-DRILLING AND TAPPING SCREWS, ADJUST FLANGE AS NEEDED AND SECURE WITH SCREWS

12 GA C.R.S.

DC#12168IT1



2 ADDED SHEET

CUSTOMER APPROVAL *	DATE	INTERPRET DRAWING PER ASME Y14.5M-1994 DIMENSIONAL LIMITS APPLY AFTER APPLICATION OF FINISH DRAWING NOT TO SCALE	<b>NOTICE:</b> Use of this document is subject to a confidentiality and nondisclosure agreement with Great Lakes Case & Cabinet Co., Inc. (GLCC) and may not be reproduced, disclosed or utilized in whole or in part without prior written authorization from GLCC.	PART NUMBER: SEAL-ACPDS-UBSE886R	TITLE 8.00"H x 8.00"W x 6.00"D HIGH SECURITY ENCLOSURE ASSEMBLY	
		* CUSTOMER SIGN-OFF IS REQUIRED PRIOR TO MANUFACTURING.  * BY SIGNING THIS APPROVAL, THE CUSTOMER AGREES THAT THIS ORDER CAN NOT BE CANCELED AND NO CUSTOM PRODUCTS CAN BE RETURNED.		TOLERANCE UNLESS OTHERWISE NOTED: ANGULAR +/- .1" .XXXX +/- .010 .XXX +/- .015 .XX +/- .030 .X FOR REF. ONLY  UNLESS OTHERWISE SPECIFIED ALL DIMENSIONS ARE IN INCHES	QTY PER UNIT: 1 MATERIAL TYPE: CRS MATERIAL GAUGE: 16 FINISH: POWDERCOAT DRAWN PCS CHECKED	GREAT LAKES CASE & CABINET CO., INC. P.O. BOX 551 EDINBORO, PA 16412 PHONE (814) 734-7303 FAX (814) 734-3907 E-MAIL glcc@greatcabinets.com
				DWG NO: 1-2864	REV 3	SHEET 2 OF 2