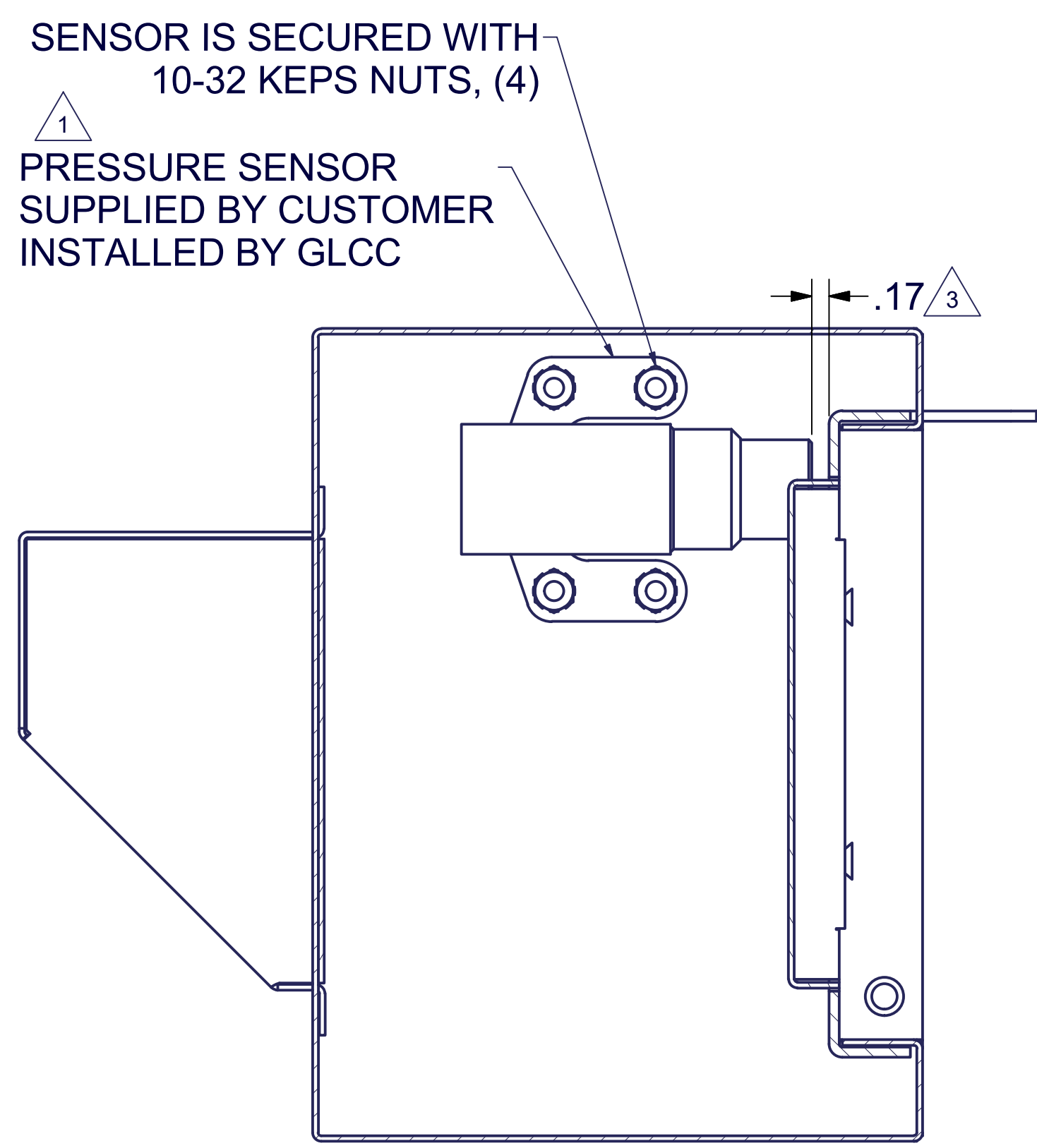
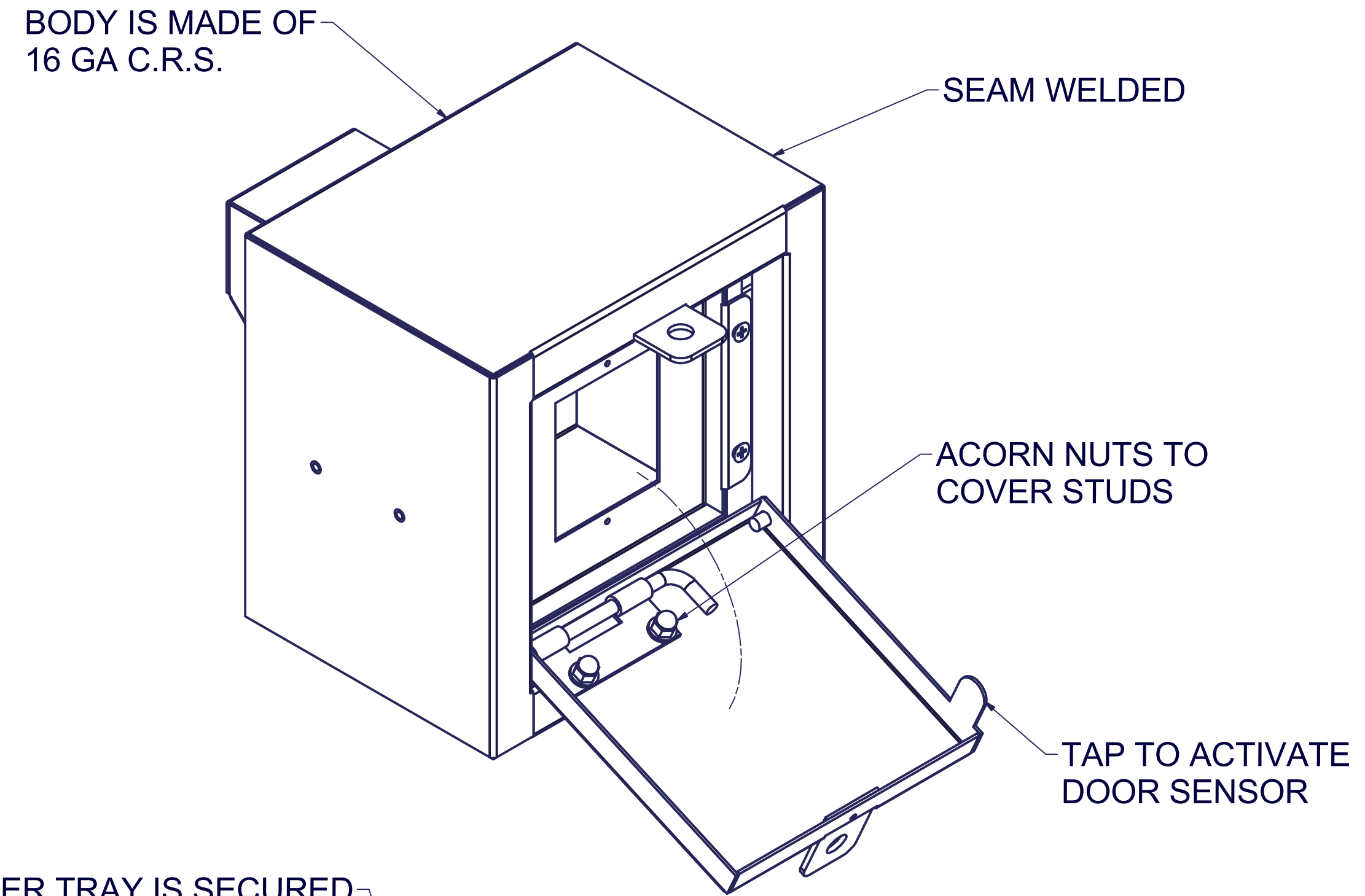
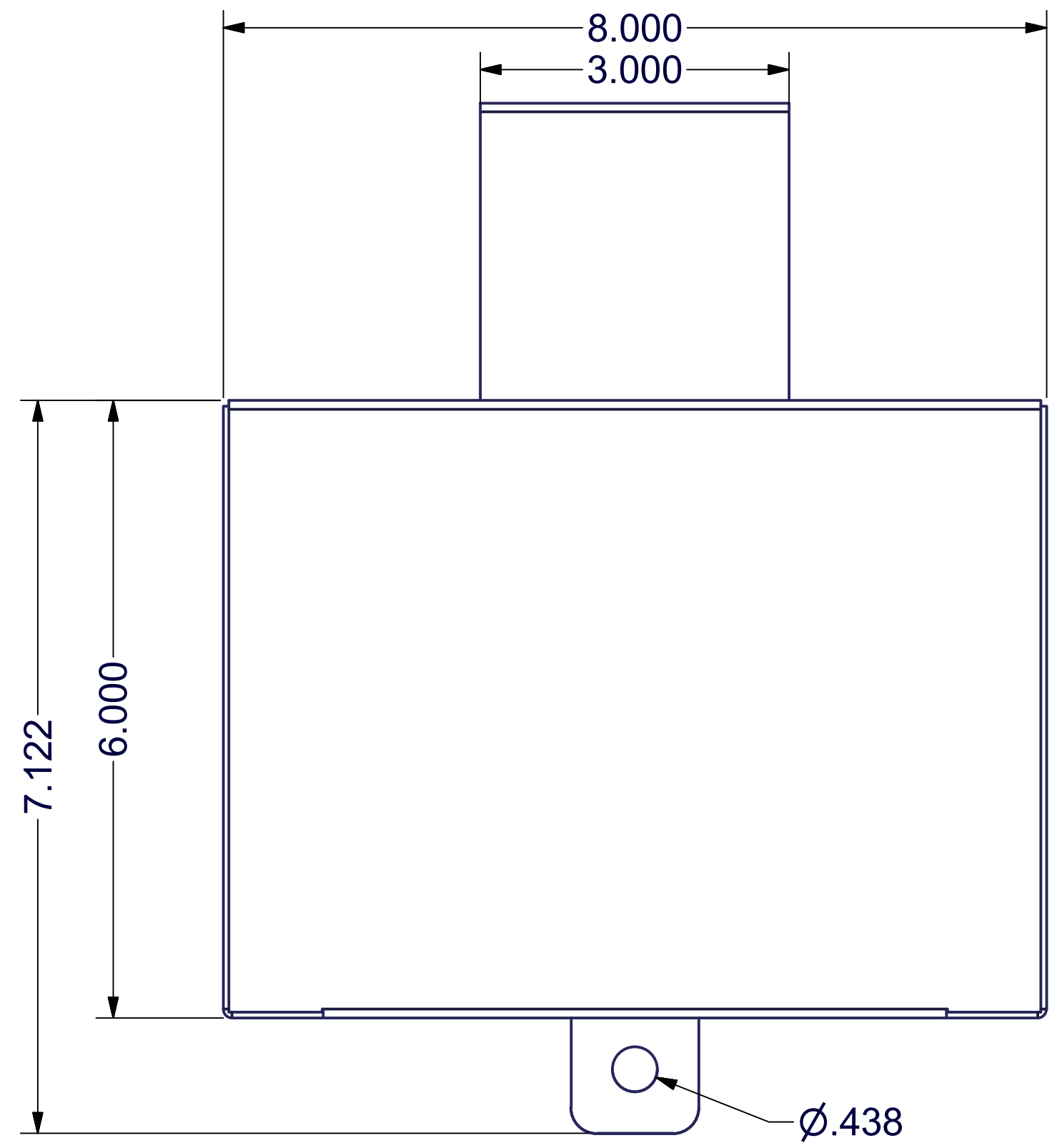
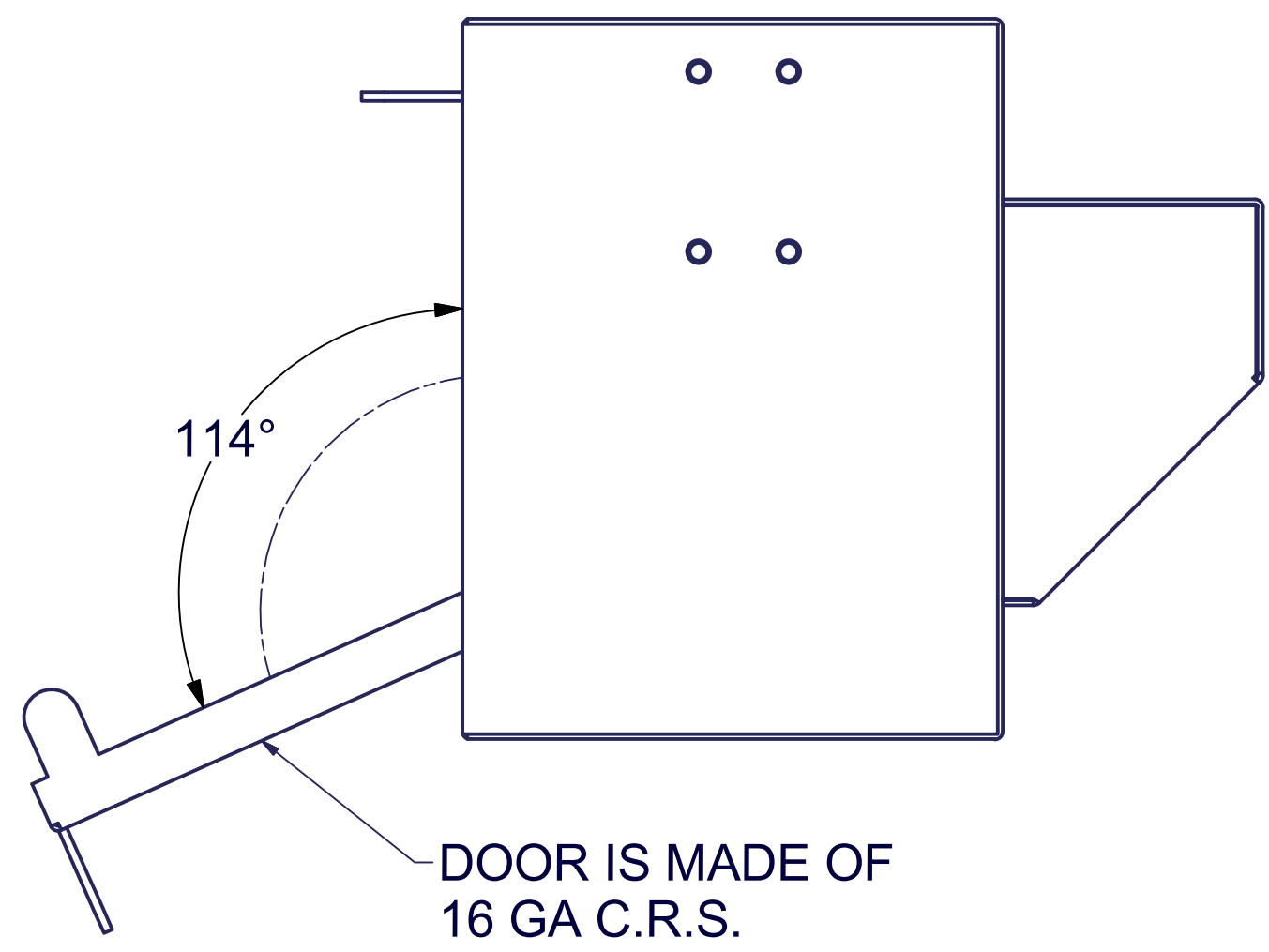
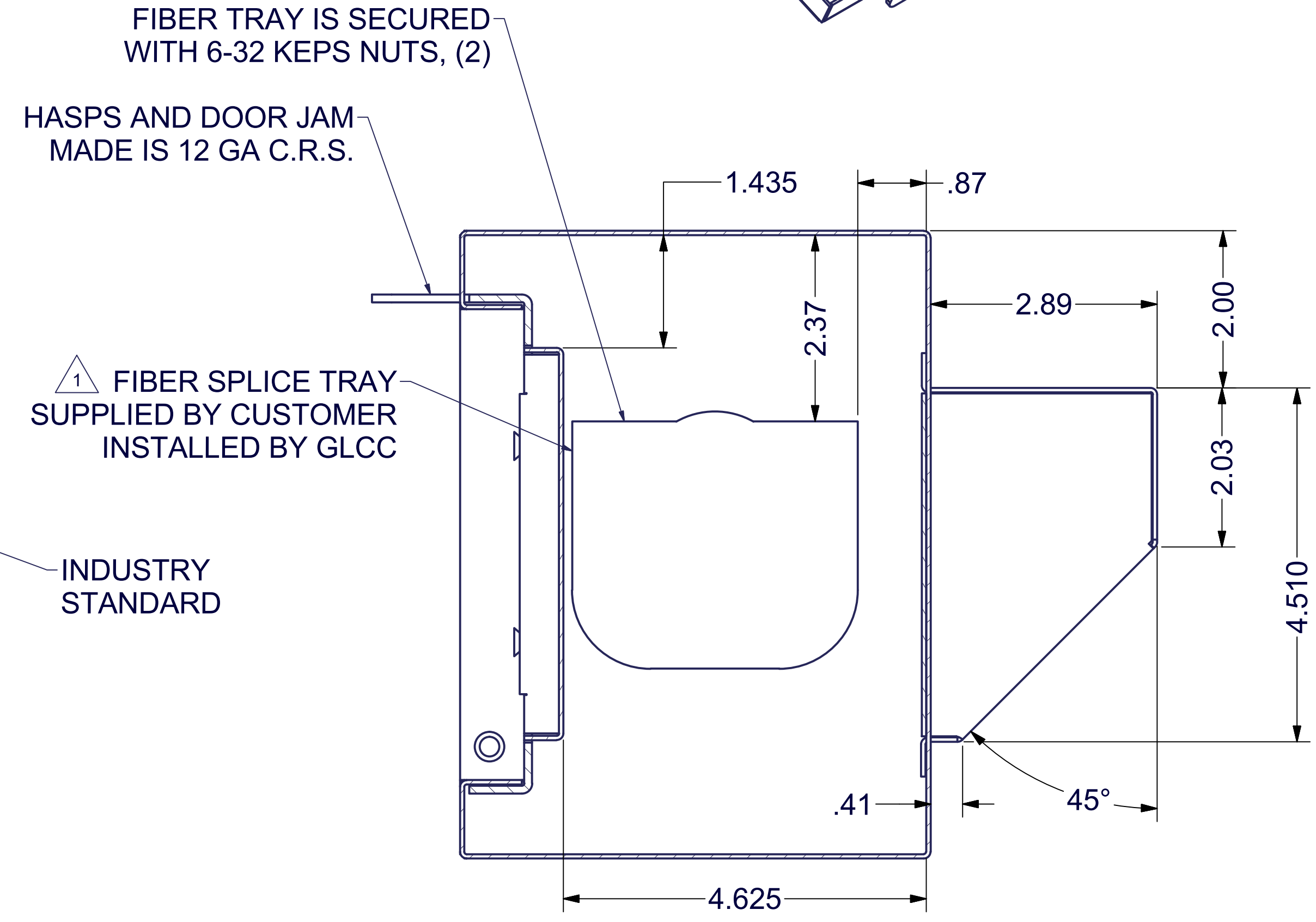


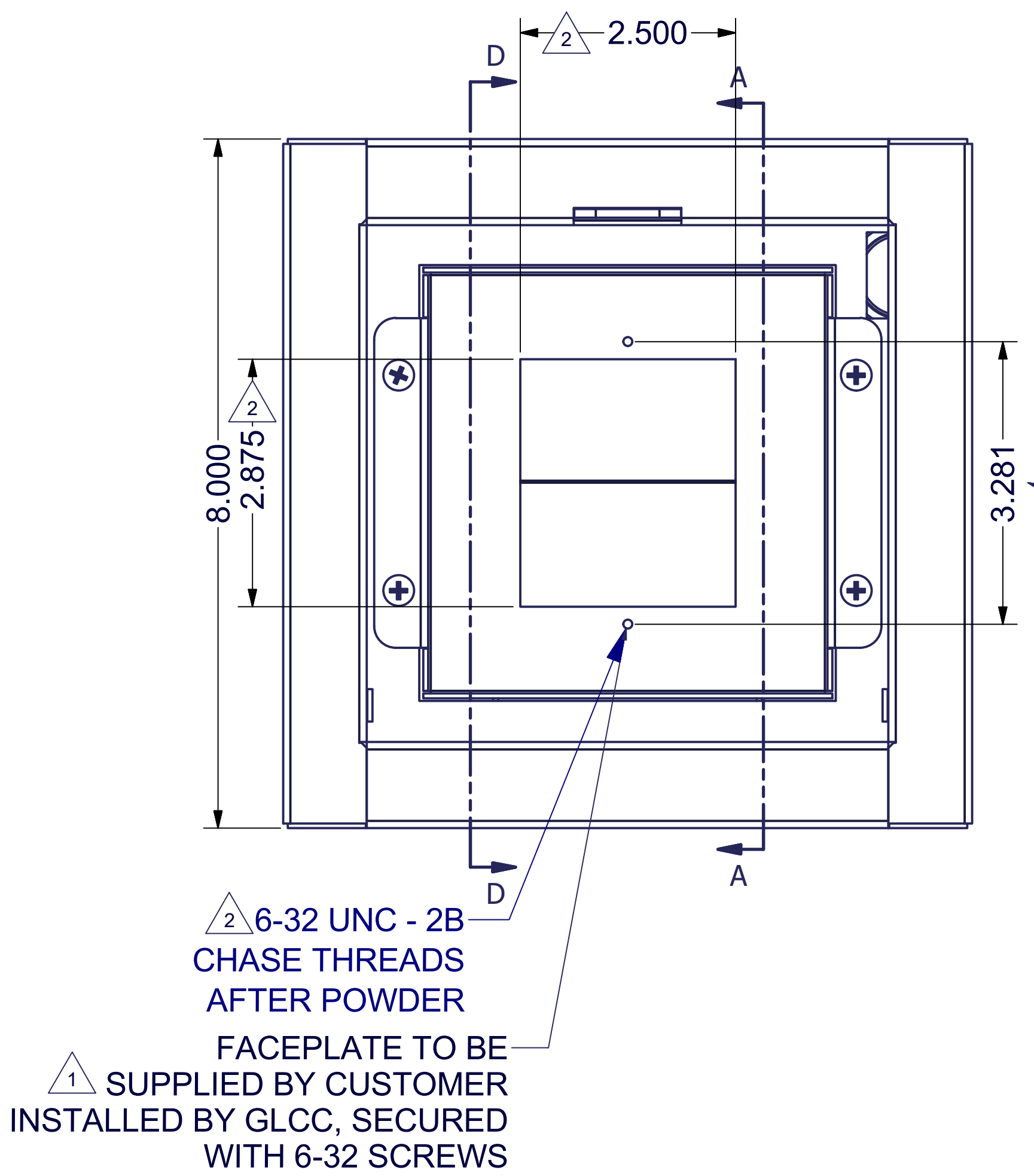
REVISION HISTORY			
REV	DESCRIPTION	DATE	APPROVED
0	PRELIMINARY	5/7/2019	PCS
1	PRELIMINARY	8/14/2019	PCS
2	PRELIMINARY	10/3/2019	PCS
3	PRELIMINARY	10/14/2019	PCS



SECTION D-D



SECTION A-A



INTERPRET DRAWING PER ASME Y14.5M-1994
 DIMENSIONAL LIMITS APPLY AFTER APPLICATION OF FINISH
 DRAWING NOT TO SCALE
 TOLERANCE UNLESS OTHERWISE NOTED:
 ANGULAR +/- 1°
 .XXXX +/- .010
 .XXX +/- .015
 .XX +/- .030
 .X FOR REF. ONLY
 UNLESS OTHERWISE SPECIFIED ALL DIMENSIONS ARE IN INCHES

NOTICE:
 Use of this document is subject to a confidentiality and nondisclosure agreement with Great Lakes Case & Cabinet Co., Inc. (GLCC) and may not be reproduced, disclosed or utilized in whole or in part without prior written authorization from GLCC.

PART NUMBER:	SEAL-ACPDS-UBSE886S
QTY PER UNIT:	1
MATERIAL TYPE:	C.R.S.
MATERIAL GAUGE:	16 GA
FINISH:	POWDERCOAT
DRAWN:	PCS
CHECKED:	5/7/2019

TITLE	8.00"H x 8.00"W x 6.00"D HIGH SECURITY ENCLOSURE ASSEMBLY WITH REAR CABLE INLET		
GREAT LAKES CASE & CABINET CO., INC.			
P.O. BOX 551 EDINBORO, PA 16412			
PHONE (814) 734-7303 FAX (814) 734-3907			
E-MAIL glcc@greatcabinets.com			
DWG NO:	I-2933	REV	3
		SHEET 1 OF 1	

Previous part number DC12360