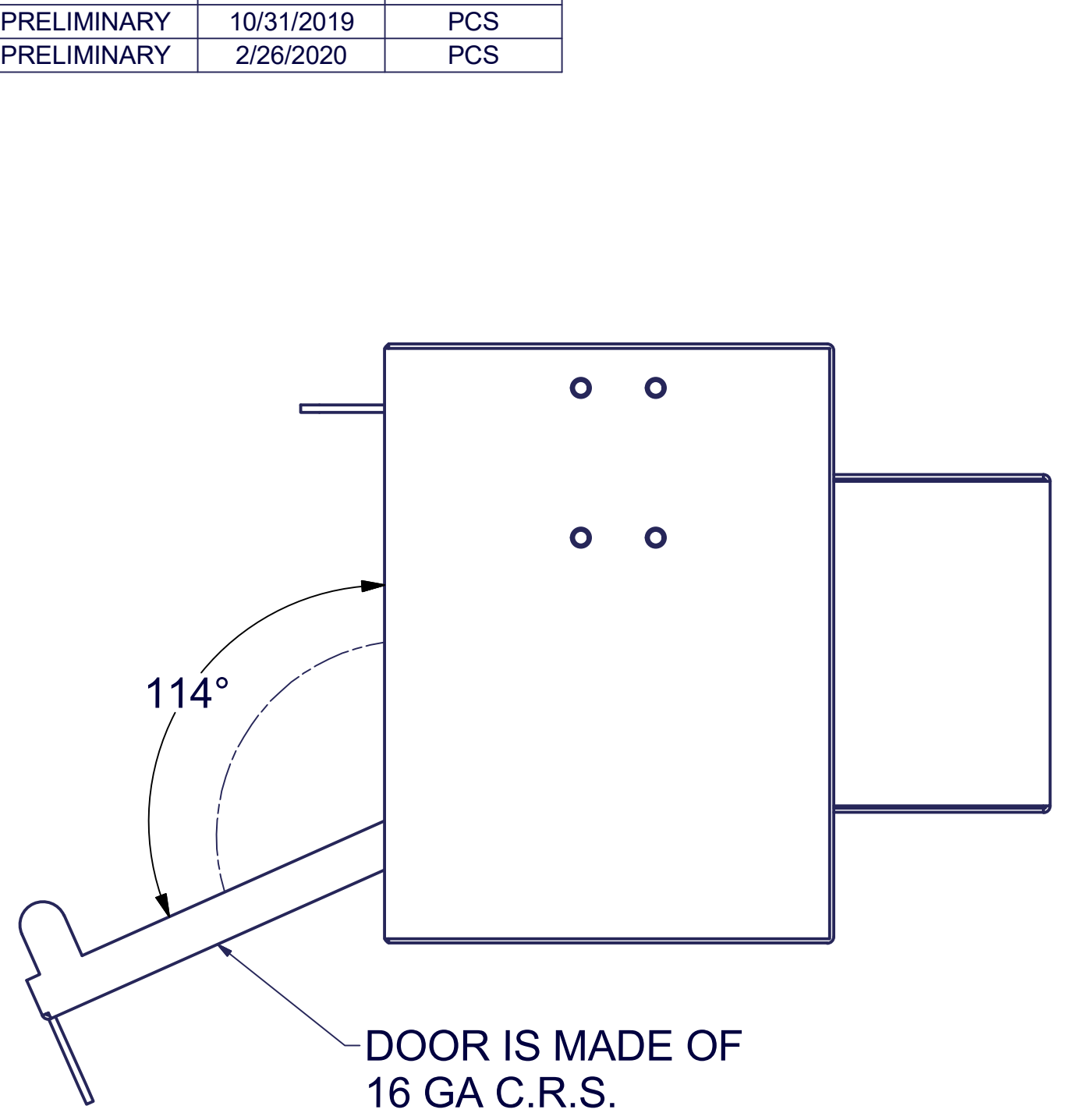
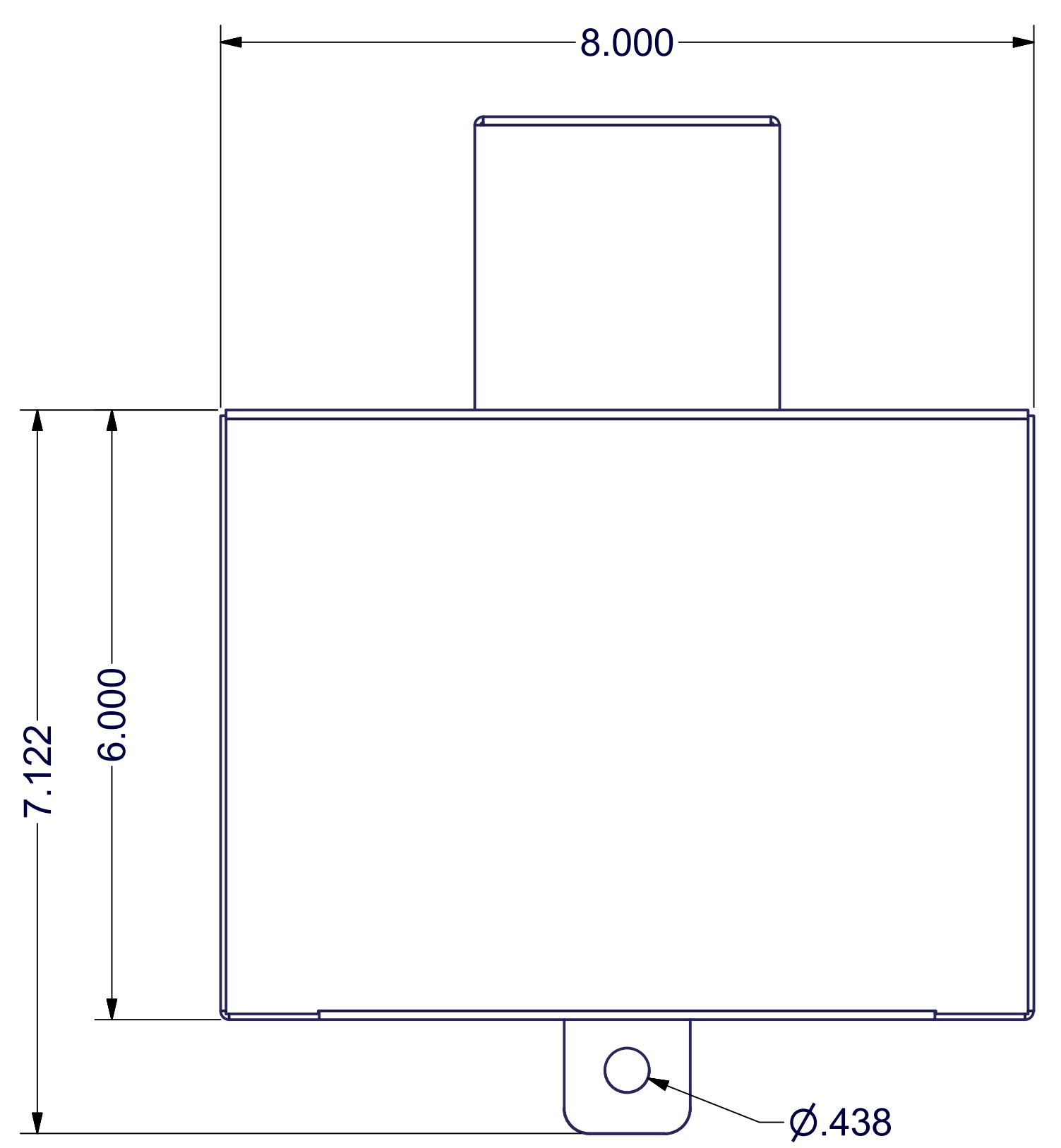
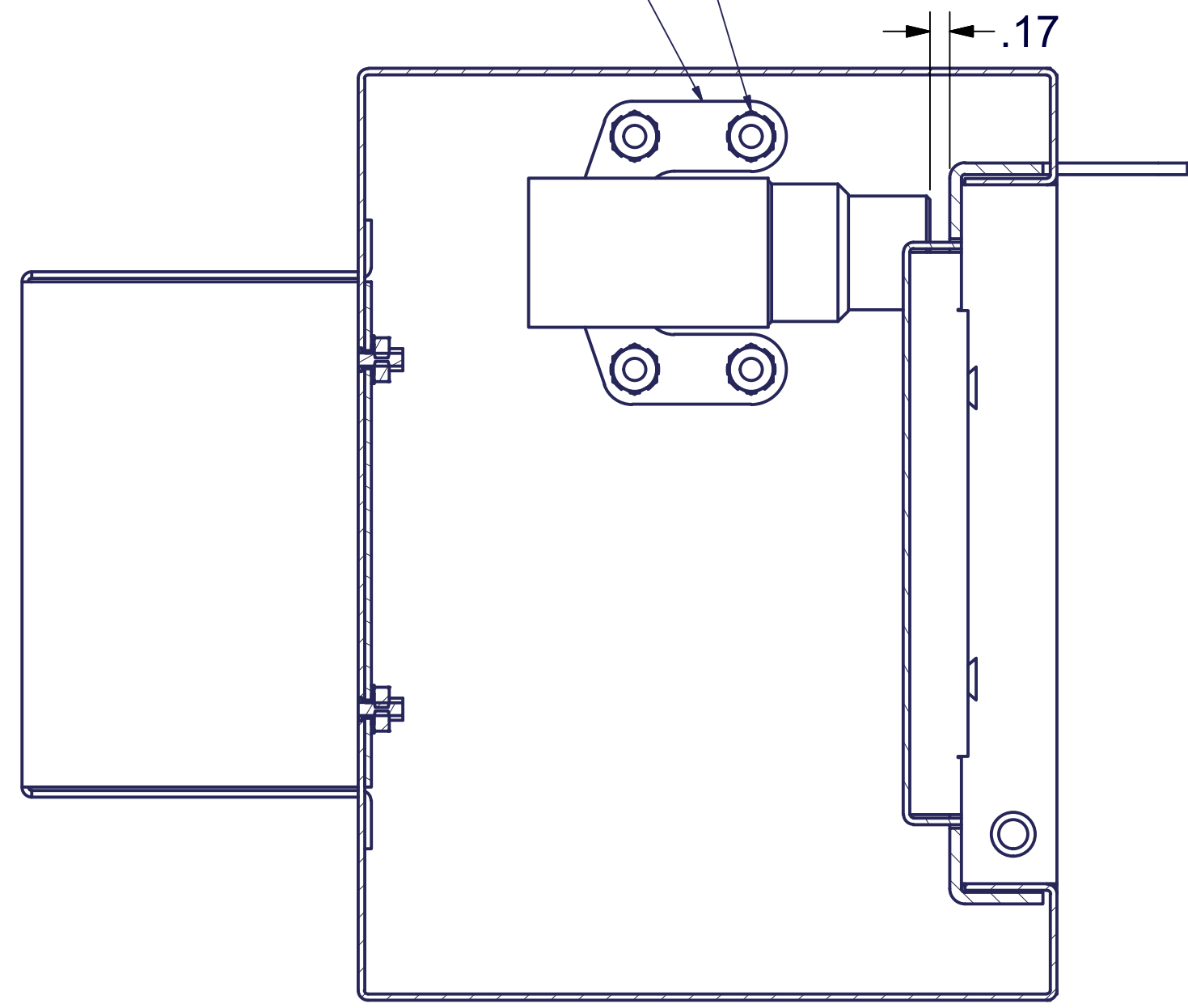


REVISION HISTORY			
REV	DESCRIPTION	DATE	APPROVED
0	PRELIMINARY	10/30/2019	PCS
1	PRELIMINARY	10/31/2019	PCS
2	PRELIMINARY	2/26/2020	PCS

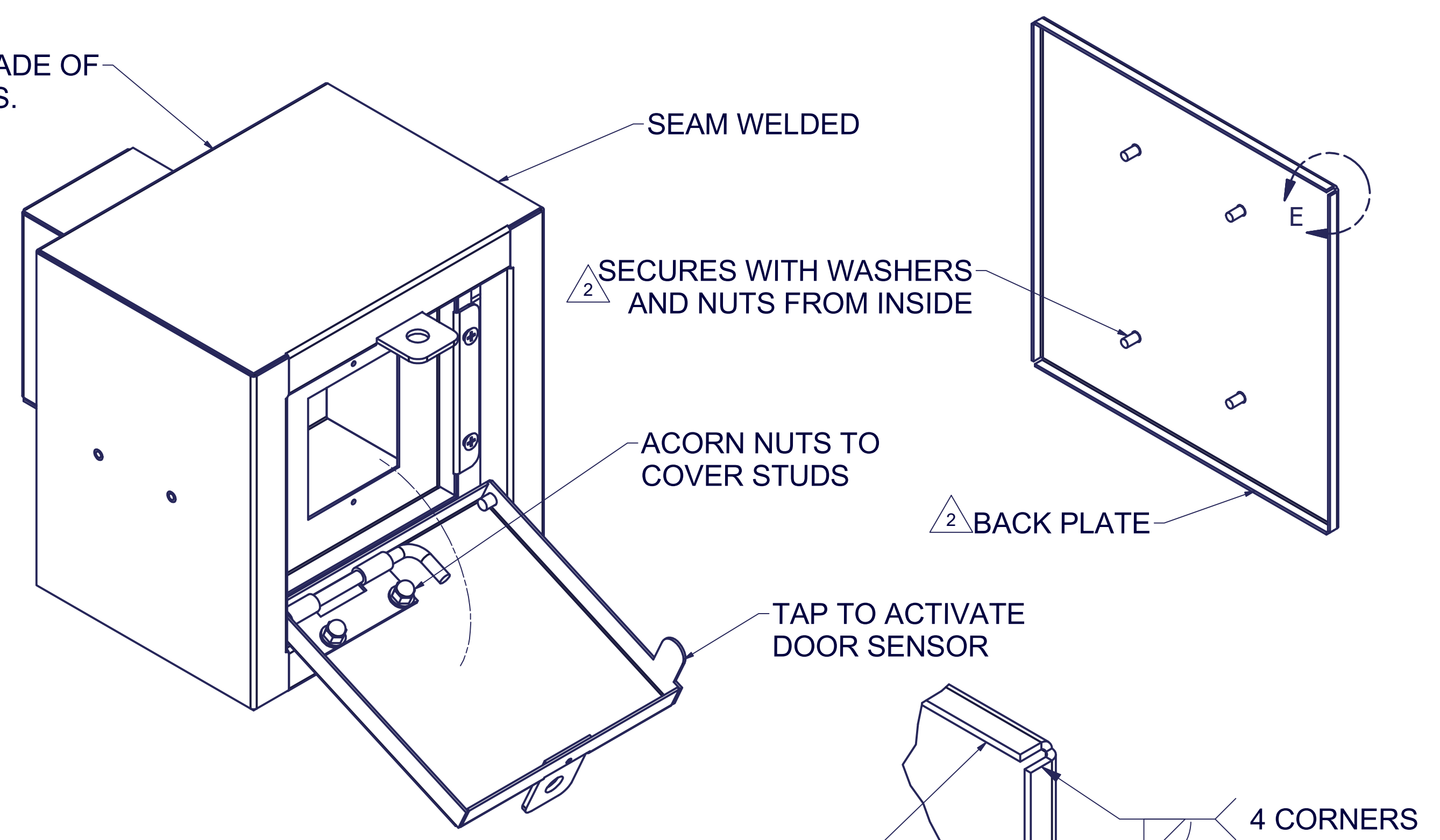


SENSOR IS SECURED WITH 10-32 KEPS NUTS, (4)

PRESSURE SENSOR SUPPLIED BY CUSTOMER INSTALLED BY GLCC



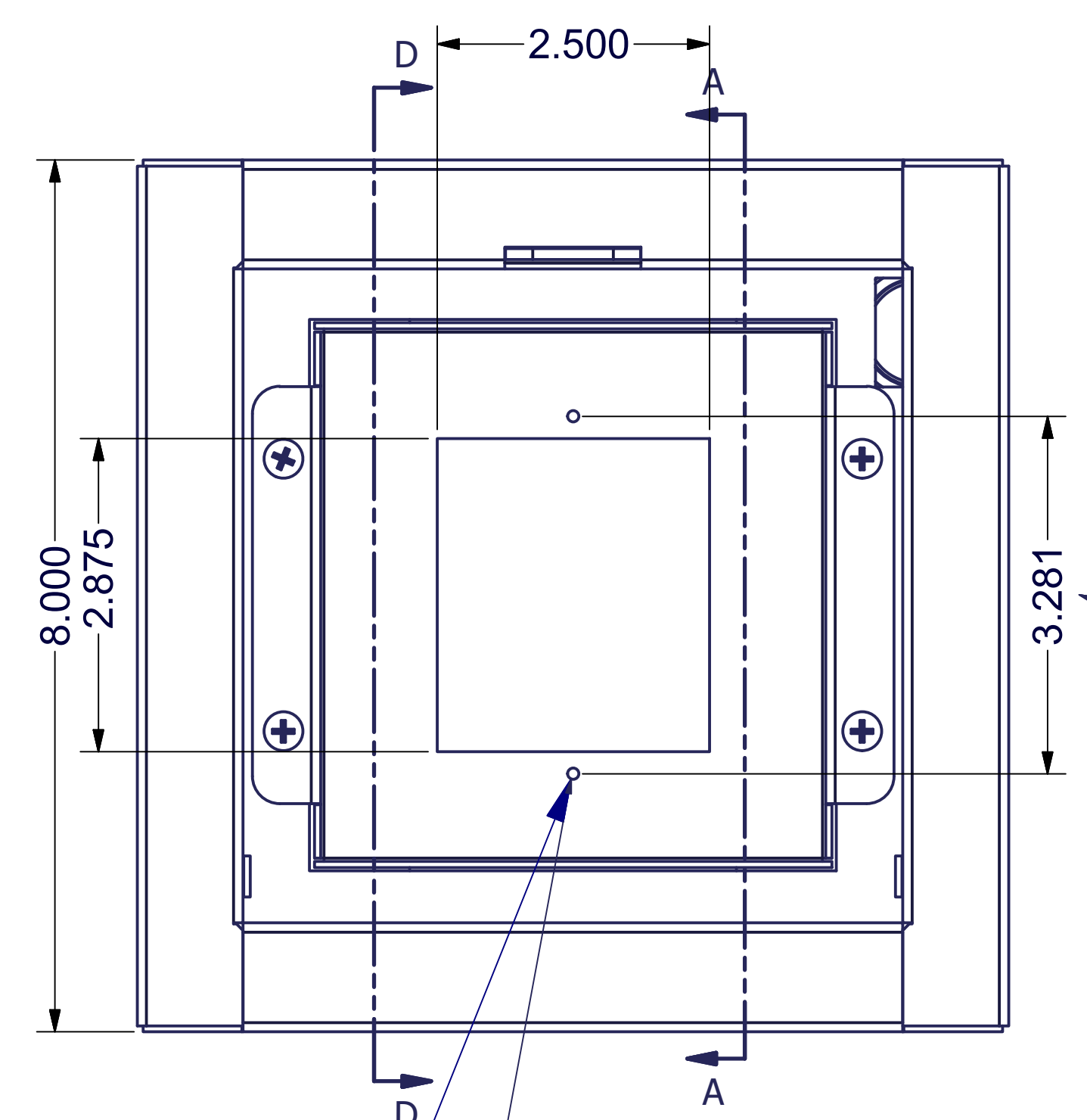
BODY IS MADE OF 16 GA C.R.S.



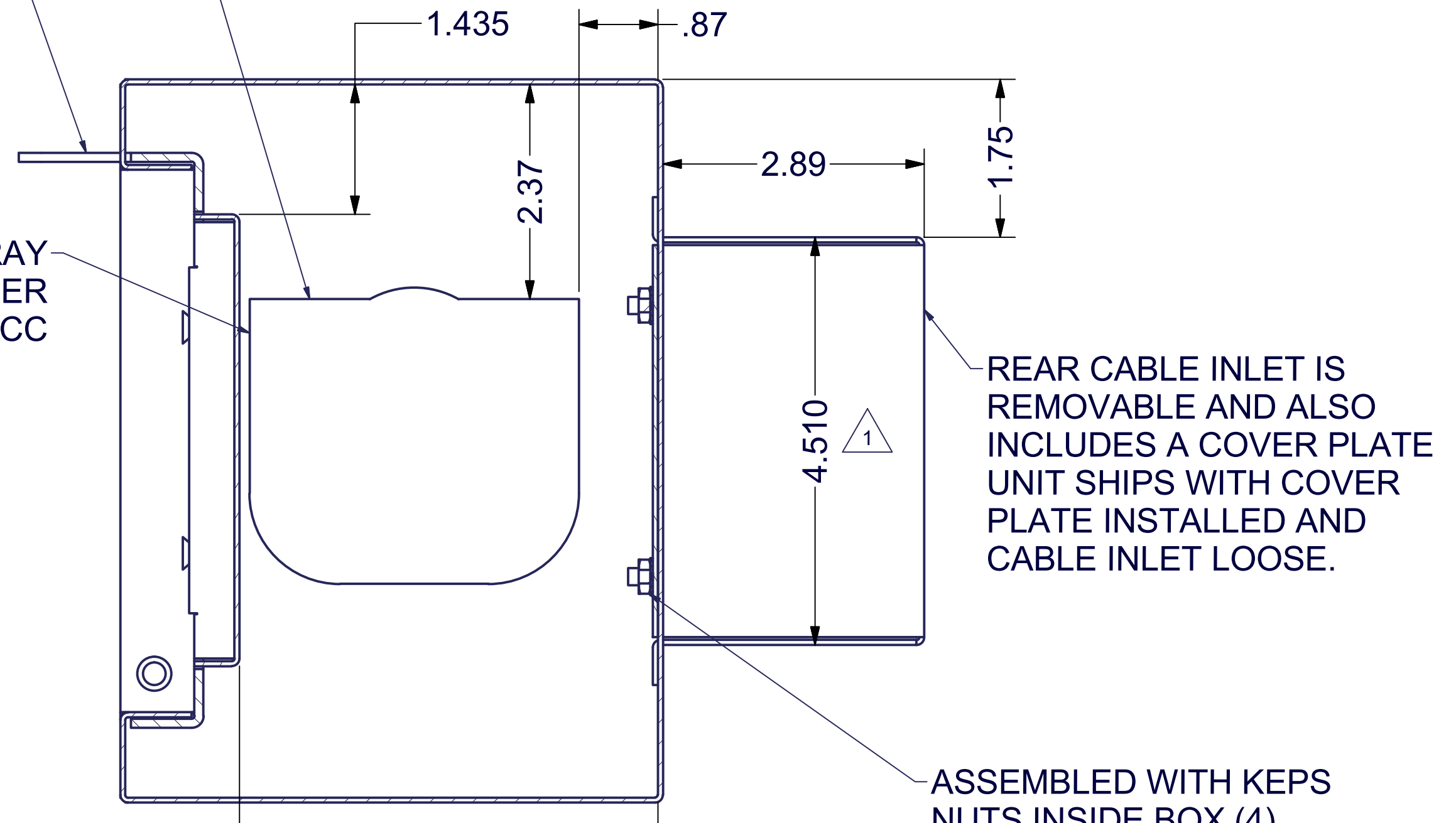
FIBER TRAY IS SECURED WITH 6-32 KEPS NUTS, (2)

HASPS AND DOOR JAM MADE IS 12 GA C.R.S.

FLANGE CREATES 90 DEG BEND AROUND PERIMETER OF ENCLOSURE



FIBER SPLICE TRAY SUPPLIED BY CUSTOMER INSTALLED BY GLCC



Previous part number DC#12579

CUSTOMER APPROVAL *	DATE	INTERPRET DRAWING PER ASME Y14.5M-1994 DIMENSIONAL LIMITS APPLY AFTER APPLICATION OF FINISH DRAWING NOT TO SCALE TOLERANCE UNLESS OTHERWISE NOTED: ANGULAR +/- .1° .XXXX +/- .010 .XXX +/- .015 .XX +/- .030 .X FOR REF. ONLY UNLESS OTHERWISE SPECIFIED ALL DIMENSIONS ARE IN INCHES	<b>NOTICE:</b> Use of this document is subject to a confidentiality and nondisclosure agreement with Great Lakes Case & Cabinet Co., Inc. (GLCC) and may not be reproduced, disclosed or utilized in whole or in part without prior written authorization from GLCC.	PART NUMBER: SEAL-ACPDS-UBSE886S DC# 8.00"H x 8.00"W x 6.00"D HIGH SECURITY ENCLOSURE ASSEMBLY WITH BOLT ON REAR CABLE INLET QTY PER UNIT: 1 MATERIAL TYPE: CRS MATERIAL GAUGE: 16 GA FINISH: POWDERCOAT DRAWN PCS 10/30/2019 CHECKED	TITLE: 8.00"H x 8.00"W x 6.00"D HIGH SECURITY ENCLOSURE ASSEMBLY WITH BOLT ON REAR CABLE INLET DC# 8.00"H x 8.00"W x 6.00"D HIGH SECURITY ENCLOSURE ASSEMBLY WITH BOLT ON REAR CABLE INLET GREAT LAKES CASE & CABINET CO., INC. P.O. BOX 551 EDINBORO, PA 16412 PHONE (814) 734-7303 FAX (814) 734-3907 E-MAIL glcc@greatcabinets.com	DWG NO: I-3015	REV 2	SHEET 1 OF 1
---------------------	------	--	---	--	--	----------------	-------	--------------