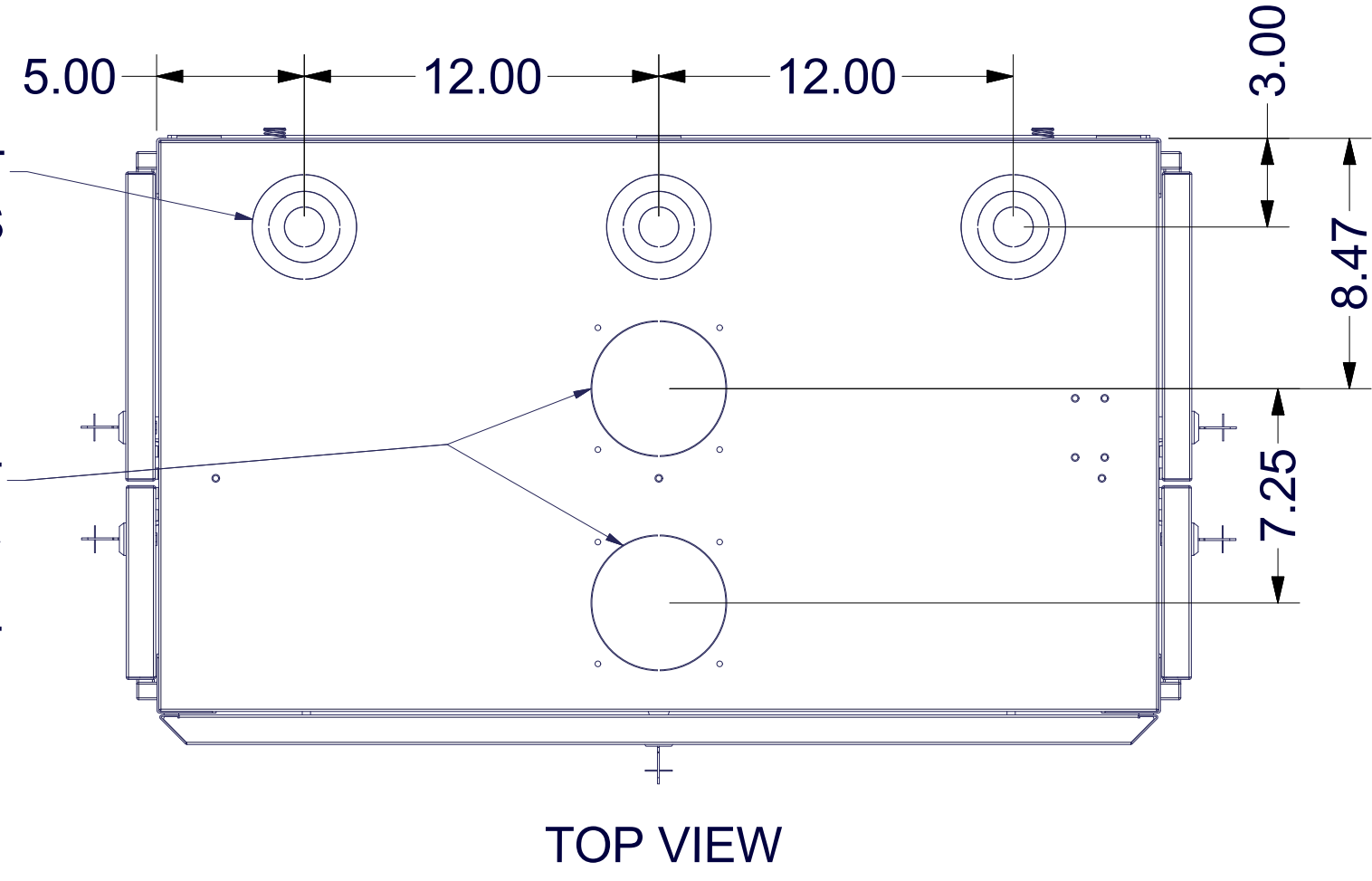


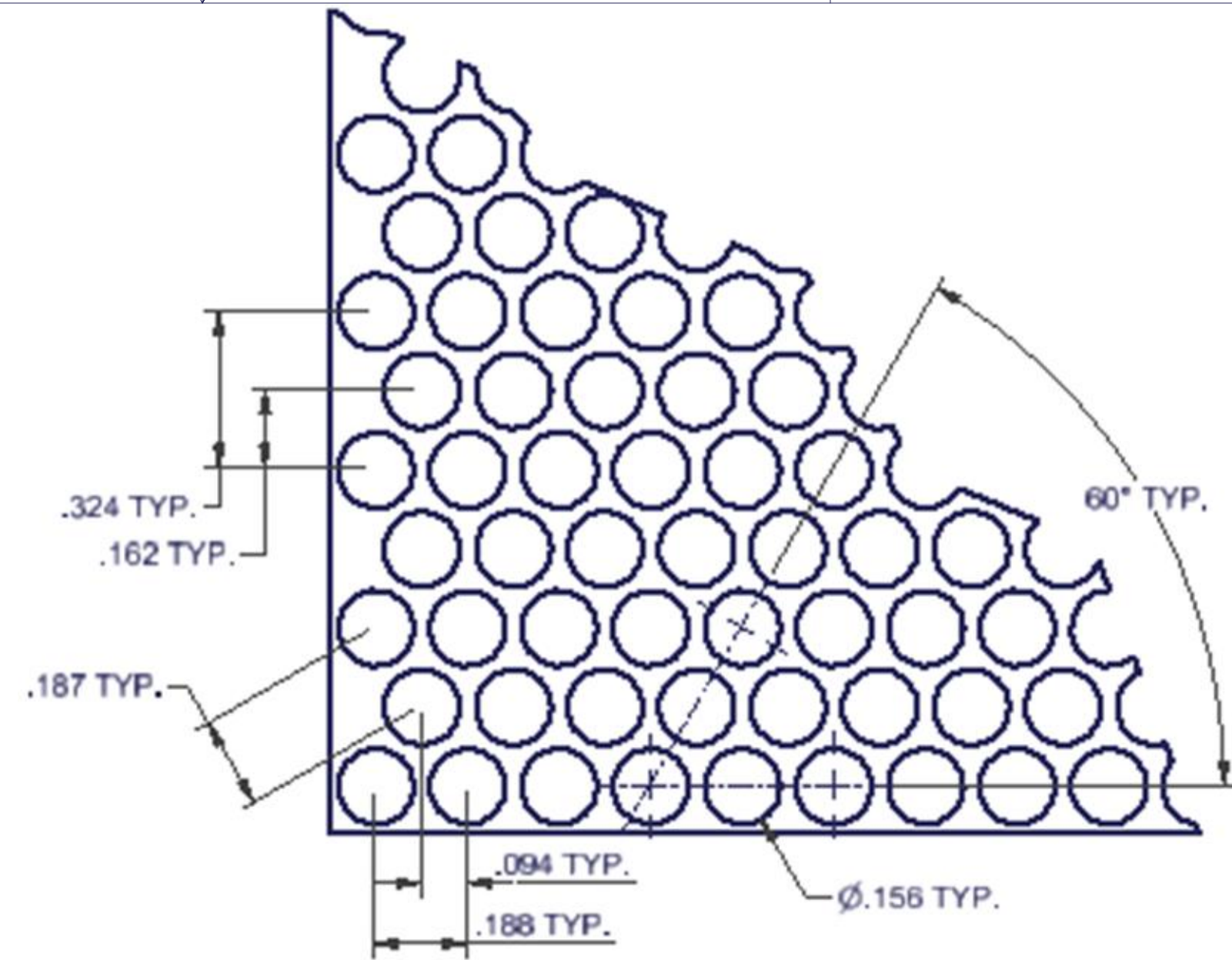
REVISION HISTORY			
REV	DESCRIPTION	DATE	APPROVED
0	PRELIM	3/7/2019	VL
1	ECO-07833	3/12/2020	VL

1", 2" & 3" NOMINAL CONDUIT CONCENTRIC KNOCKOUTS

EXHAUST FAN KNOCKOUT
2x 75 CFM - 110 VAC
FANS TO BE ABOVE
EACH COMPARTMENT

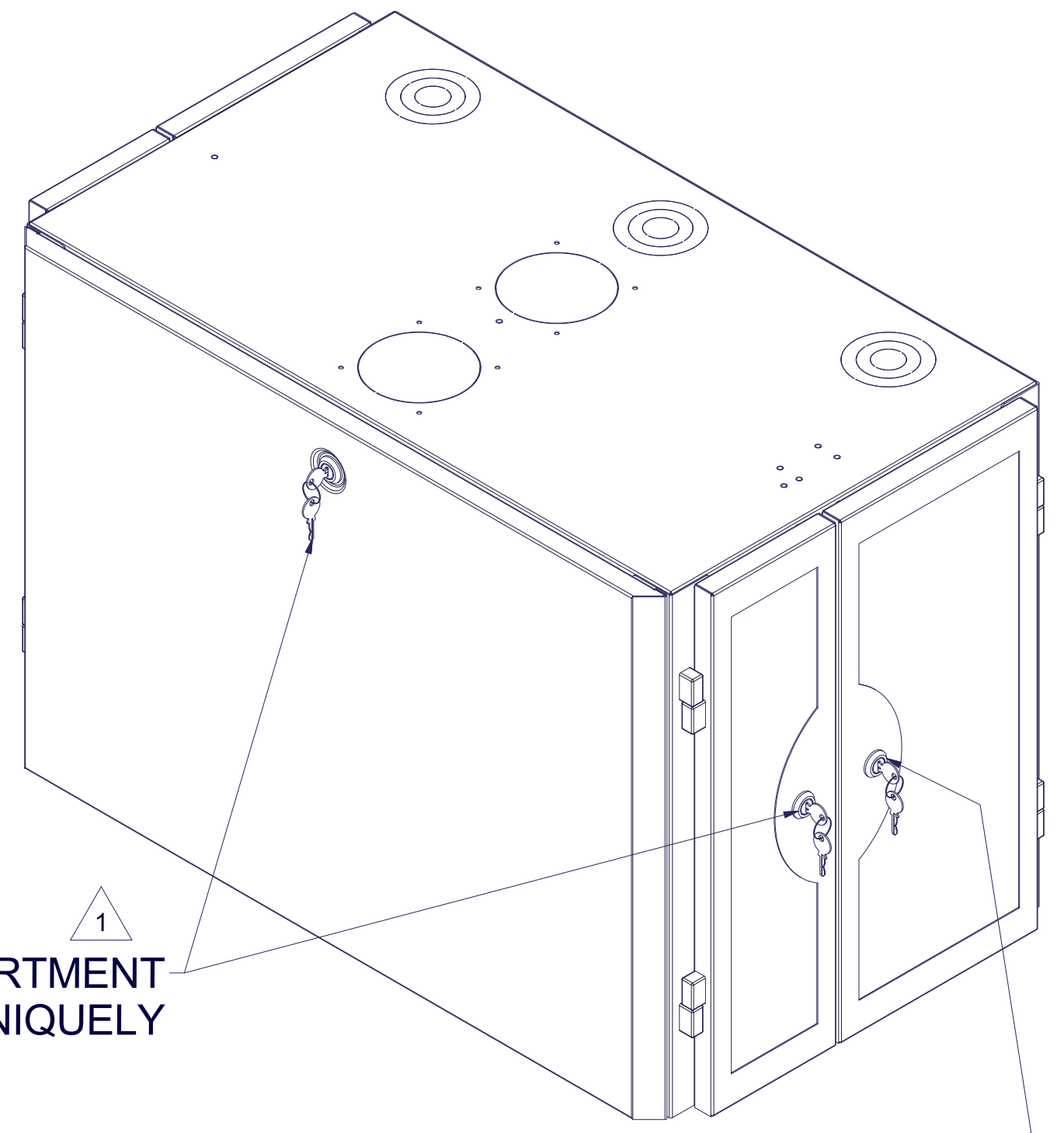


TOP VIEW

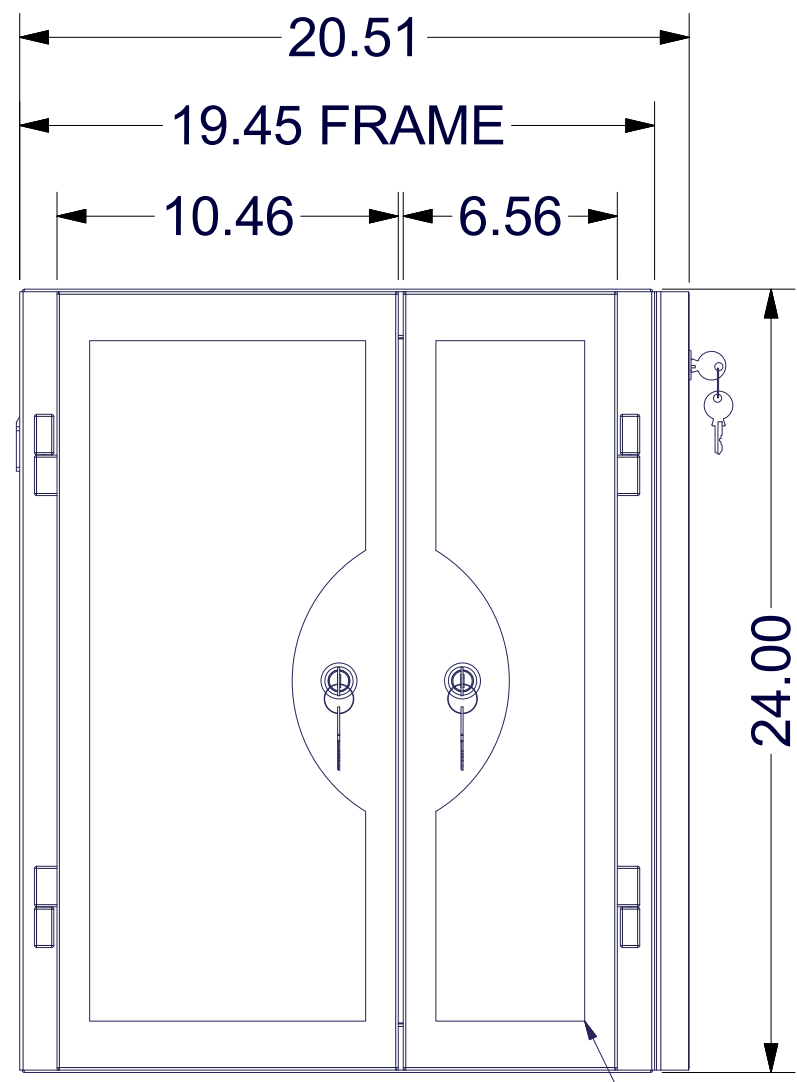


MESH PATTERN

LEFT COMPARTMENT
KEYED UNIQUELY

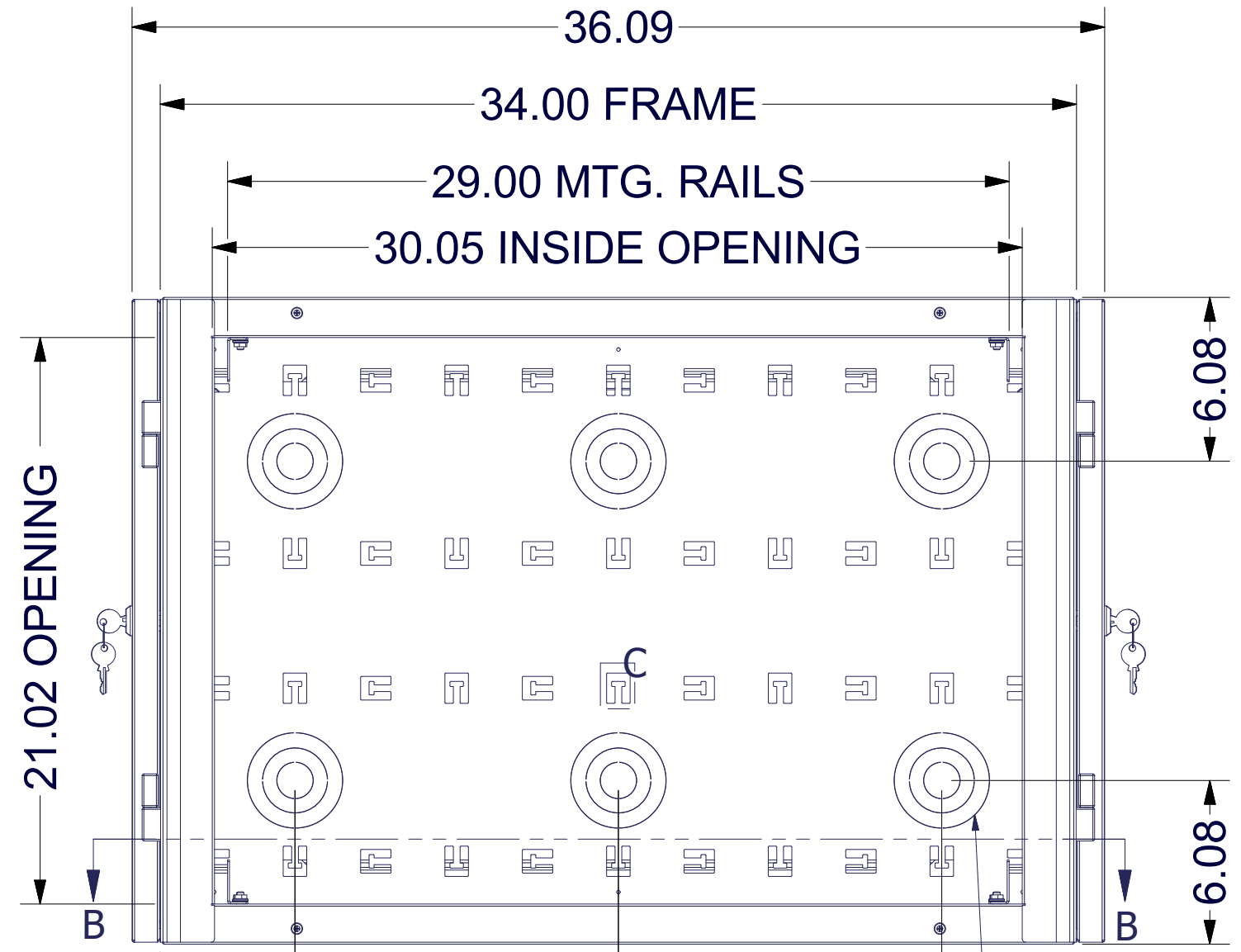


RIGHT COMPARTMENT
KEYED STANDARD 1333



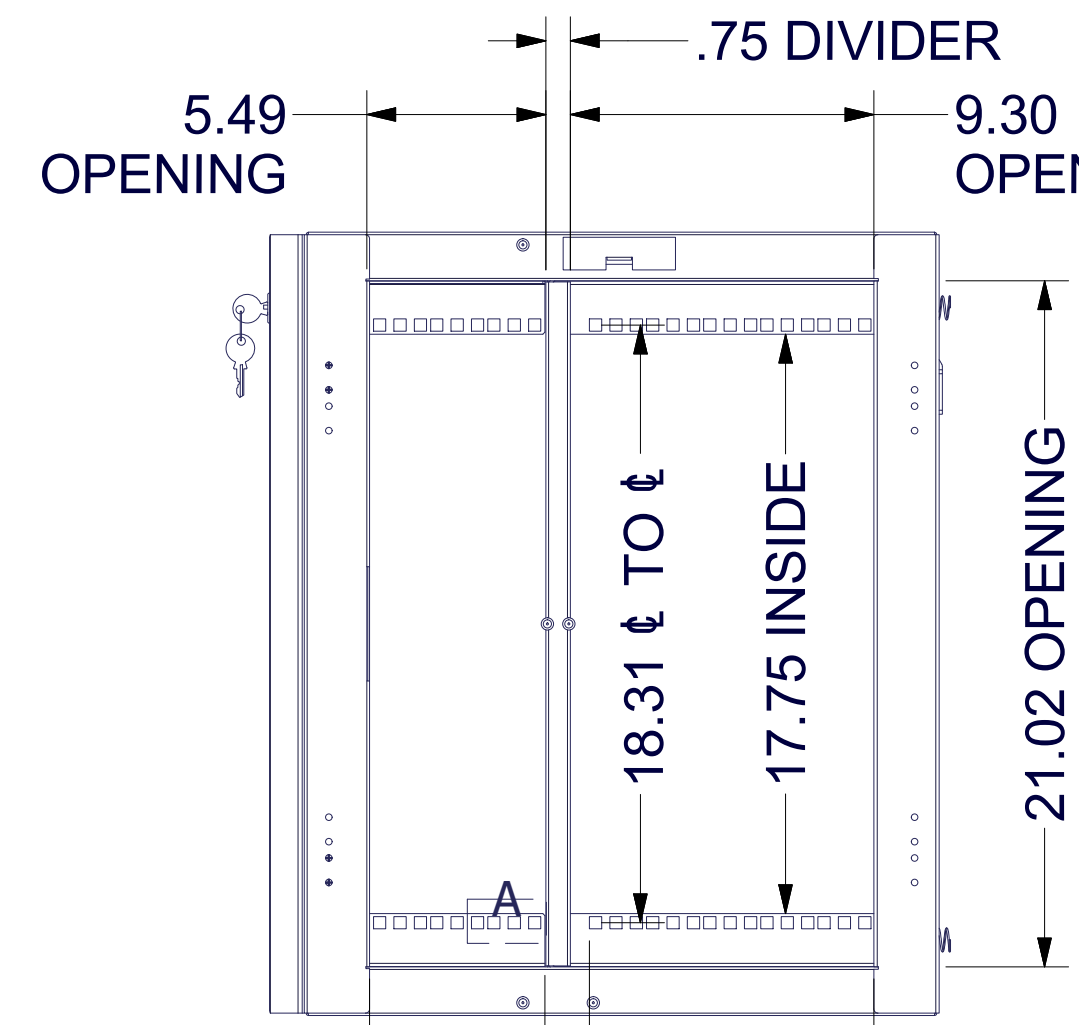
LEFT SIDE VIEW
TYP BOTH SIDES

SEE MESH
PATTERN

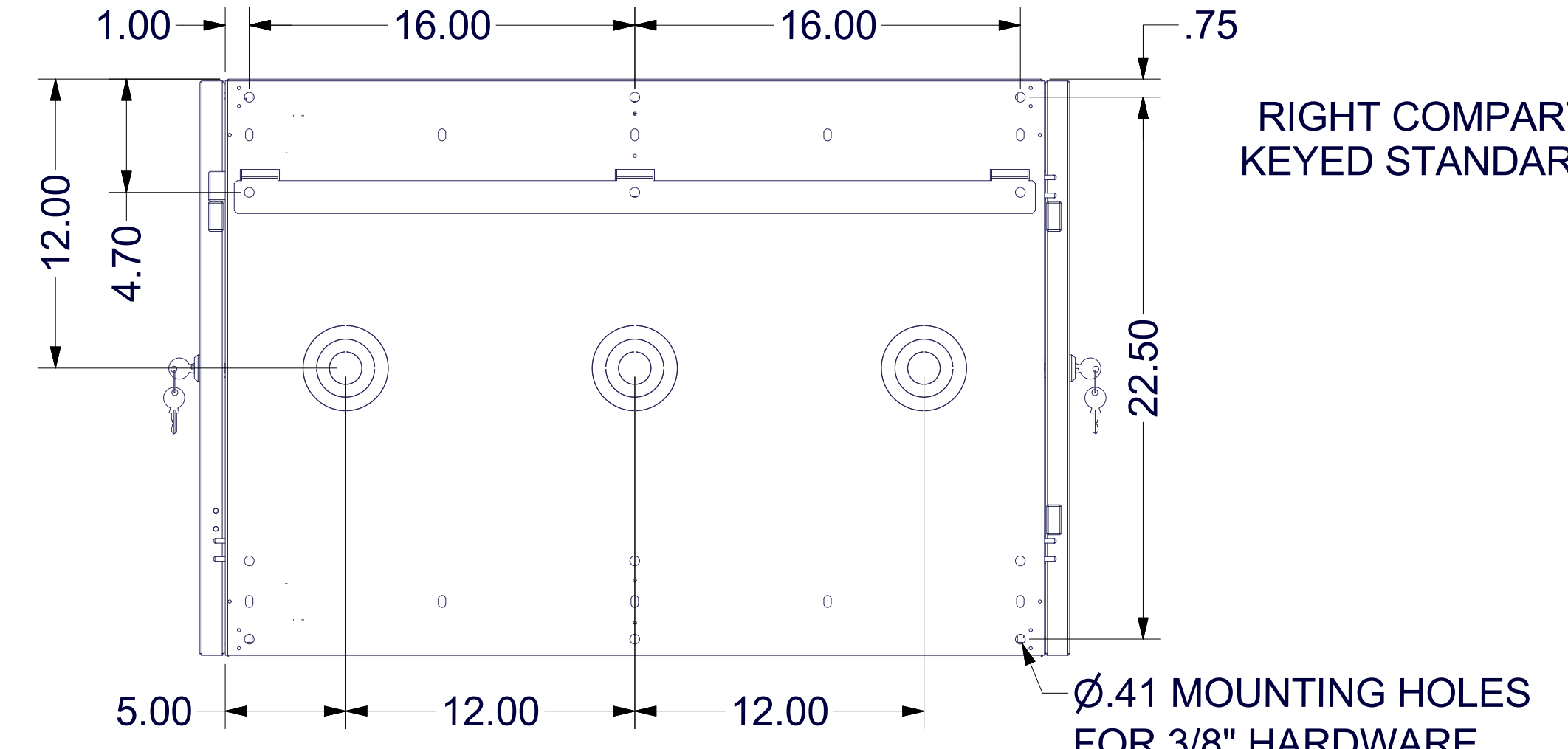


FRONT VIEW
SIDE PANE NOT SHOWN
FOR CLARITY

1", 2" & 3" NOMINAL
CONDUIT CONCENTRIC
KNOCKOUTS

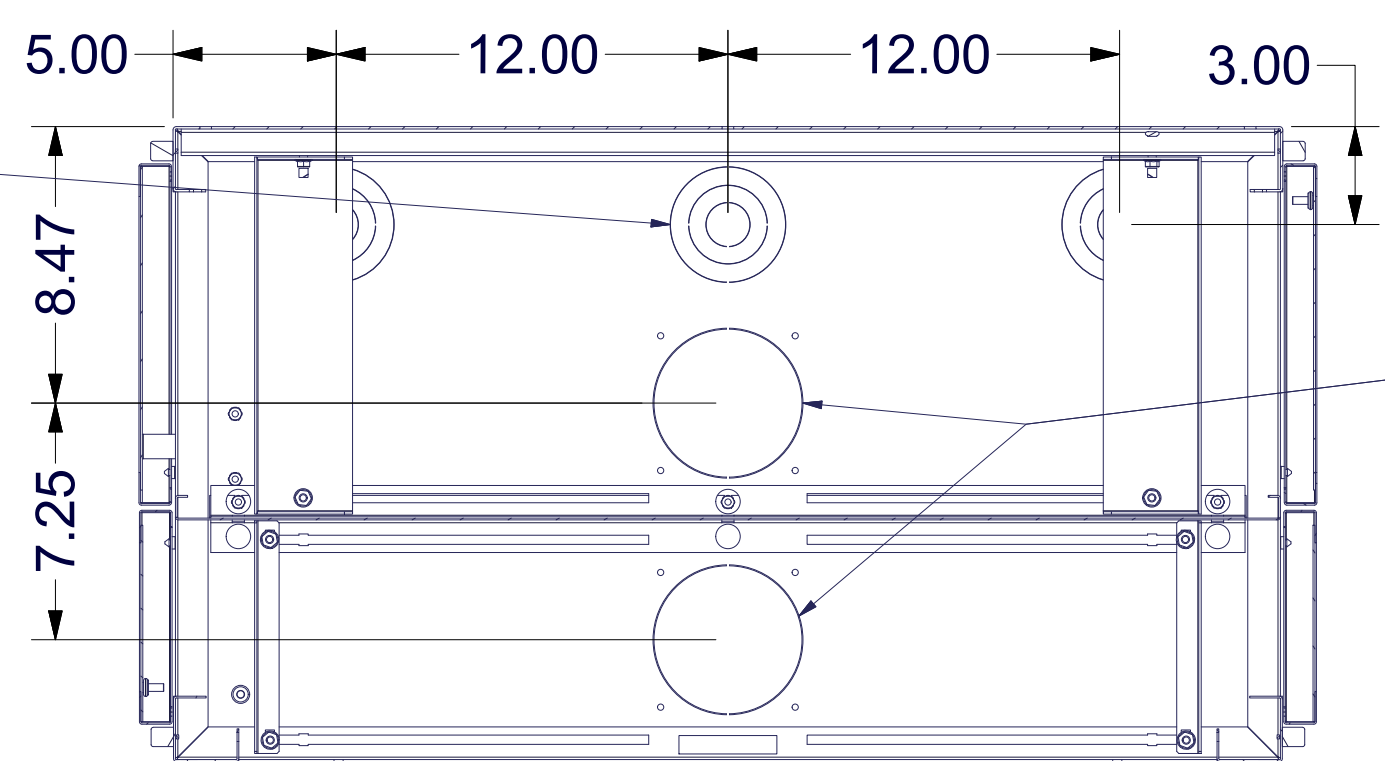


RIGHT SIDE VIEW



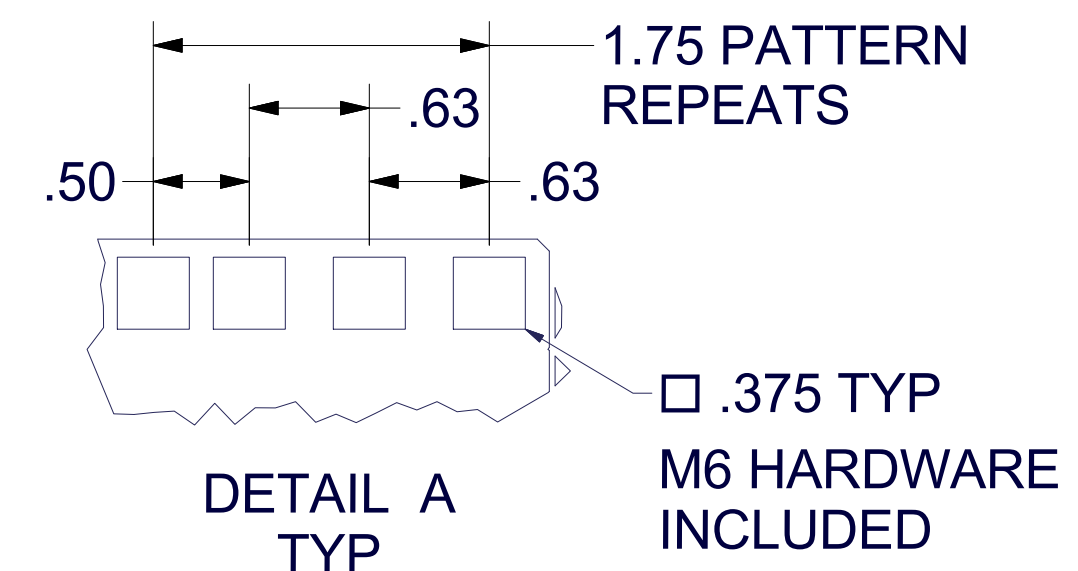
REAR VIEW

1", 2" & 3" NOMINAL CONDUIT CONCENTRIC KNOCKOUTS

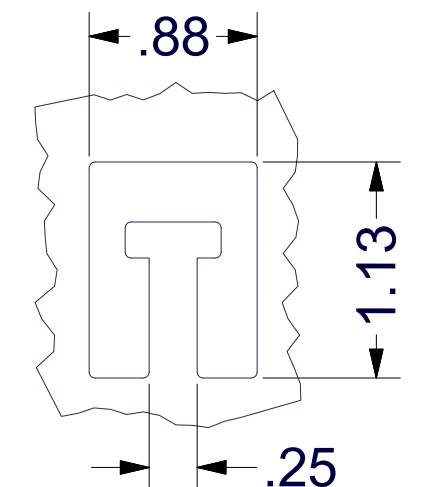


SECTION B-B
BOTTOM (INSIDE) VIEW

EXHAUST FAN KNOCKOUT
2x 75 CFM - 110 VAC
FANS TO BE ABOVE
EACH COMPARTMENT



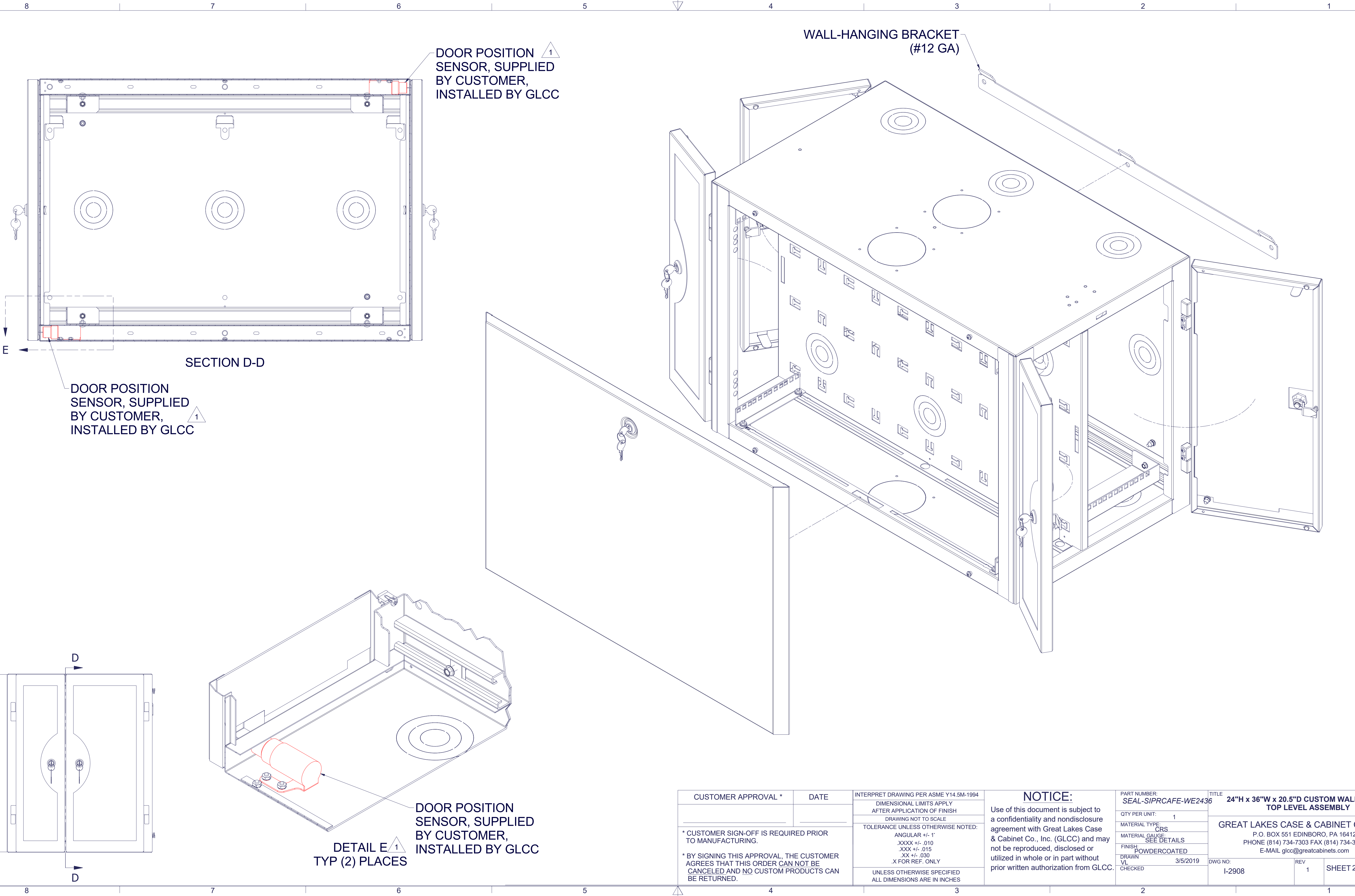
DETAIL A
TYP



DETAIL C
TYP CABLE MANAGEMENT
TIE POINTS

CUSTOMER APPROVAL *	DATE	INTERPRET DRAWING PER ASME Y14.5M-1994 DIMENSIONAL LIMITS APPLY AFTER APPLICATION OF FINISH DRAWING NOT TO SCALE TOLERANCE UNLESS OTHERWISE NOTED: ANGULAR +/- .1" .XXXX +/- .010 .XXX +/- .015 .XX +/- .030 .X FOR REF. ONLY UNLESS OTHERWISE SPECIFIED ALL DIMENSIONS ARE IN INCHES	NOTICE: Use of this document is subject to a confidentiality and nondisclosure agreement with Great Lakes Case & Cabinet Co., Inc. (GLCC) and may not be reproduced, disclosed or utilized in whole or in part without prior written authorization from GLCC.	PART NUMBER: SEAL-SIPRCAFE-WE2436 DC#12230X100		TITLE: 24" H x 36" W x 20.5" D CUSTOM WALL MOUNT, ASSEMBLY	
					QTY PER UNIT: 1	GREAT LAKES CASE & CABINET CO., INC. P.O. BOX 551 EDINBORO, PA 16412 PHONE (814) 734-7303 FAX (814) 734-3907 E-MAIL glcc@greatcabinets.com	
* CUSTOMER SIGN-OFF IS REQUIRED PRIOR TO MANUFACTURING.				MATERIAL TYPE: CRS	DRAWN VL 3/5/2019		
* BY SIGNING THIS APPROVAL, THE CUSTOMER AGREES THAT THIS ORDER CAN NOT BE CANCELED AND NO CUSTOM PRODUCTS CAN BE RETURNED.				FINISH: POWDERCOATED			
				DRAWN VL 3/5/2019	DWG NO: 1-2908	REV 1	SHEET 1 OF 2

Previous part number DC#12230X100



DOOR POSITION SENSOR, SUPPLIED BY CUSTOMER, INSTALLED BY GLCC

WALL-HANGING BRACKET (#12 GA)

SECTION D-D

DOOR POSITION SENSOR, SUPPLIED BY CUSTOMER, INSTALLED BY GLCC

DOOR POSITION SENSOR, SUPPLIED BY CUSTOMER, INSTALLED BY GLCC

DETAIL E TYP (2) PLACES

CUSTOMER APPROVAL *	DATE	INTERPRET DRAWING PER ASME Y14.5M-1994 DIMENSIONAL LIMITS APPLY AFTER APPLICATION OF FINISH DRAWING NOT TO SCALE	NOTICE: Use of this document is subject to a confidentiality and nondisclosure agreement with Great Lakes Case & Cabinet Co., Inc. (GLCC) and may not be reproduced, disclosed or utilized in whole or in part without prior written authorization from GLCC.	PART NUMBER: SEAL-SIPRCAFE-WE2436	TITLE 24"H x 36"W x 20.5"D CUSTOM WALL MOUNT, TOP LEVEL ASSEMBLY
		* CUSTOMER SIGN-OFF IS REQUIRED PRIOR TO MANUFACTURING. * BY SIGNING THIS APPROVAL, THE CUSTOMER AGREES THAT THIS ORDER CAN NOT BE CANCELED AND NO CUSTOM PRODUCTS CAN BE RETURNED.		TOLERANCE UNLESS OTHERWISE NOTED: ANGULAR +/- .1" .XXXX +/- .010 .XXX +/- .015 .XX +/- .030 .X FOR REF. ONLY UNLESS OTHERWISE SPECIFIED ALL DIMENSIONS ARE IN INCHES	QTY PER UNIT: 1 MATERIAL TYPE: CRS MATERIAL GAUGE: SEE DETAILS FINISH: POWDERCOATED DRAWN VL: 3/5/2019 CHECKED:
				DWG NO: I-2908	REV 1 SHEET 2 OF 2