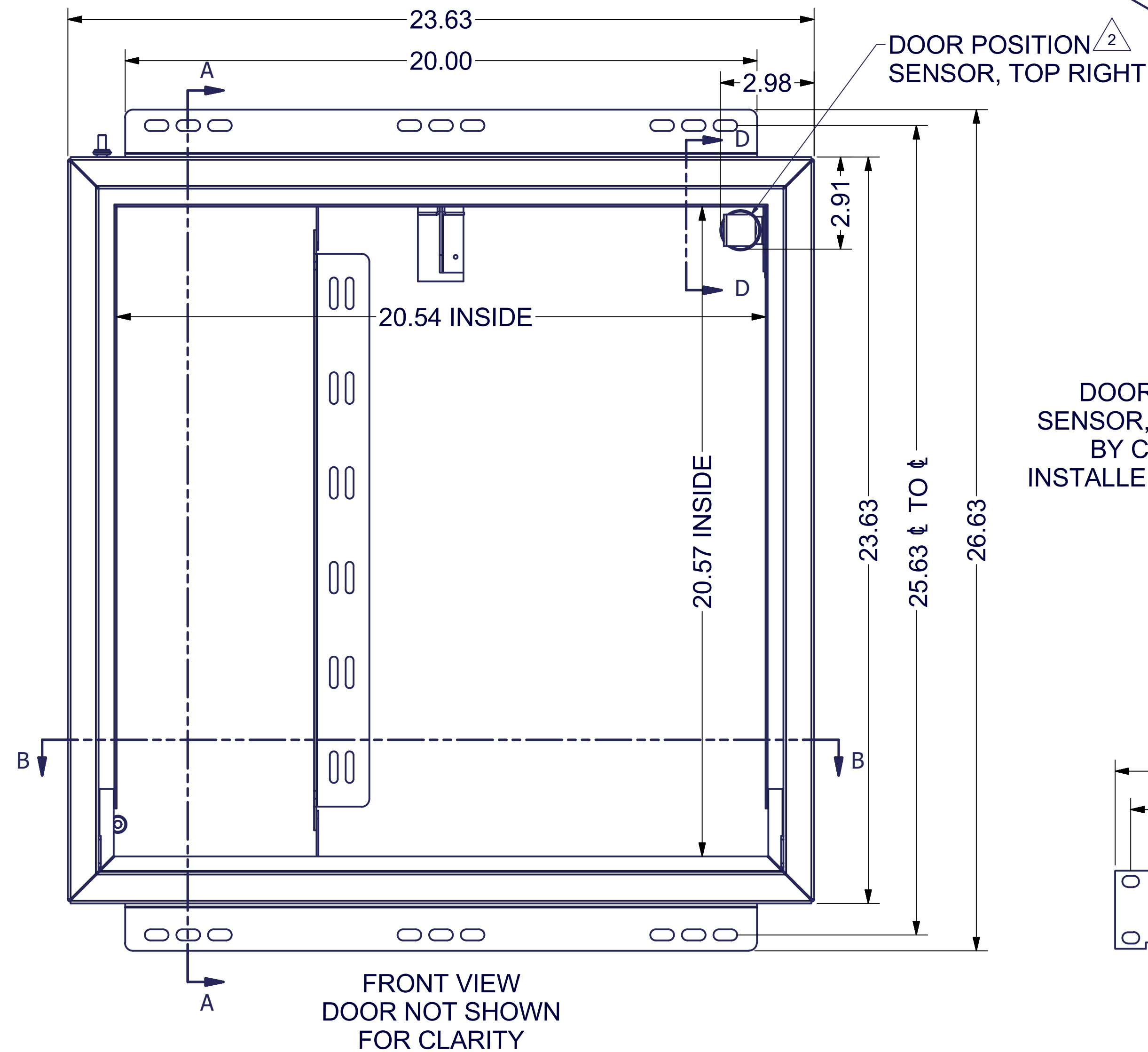
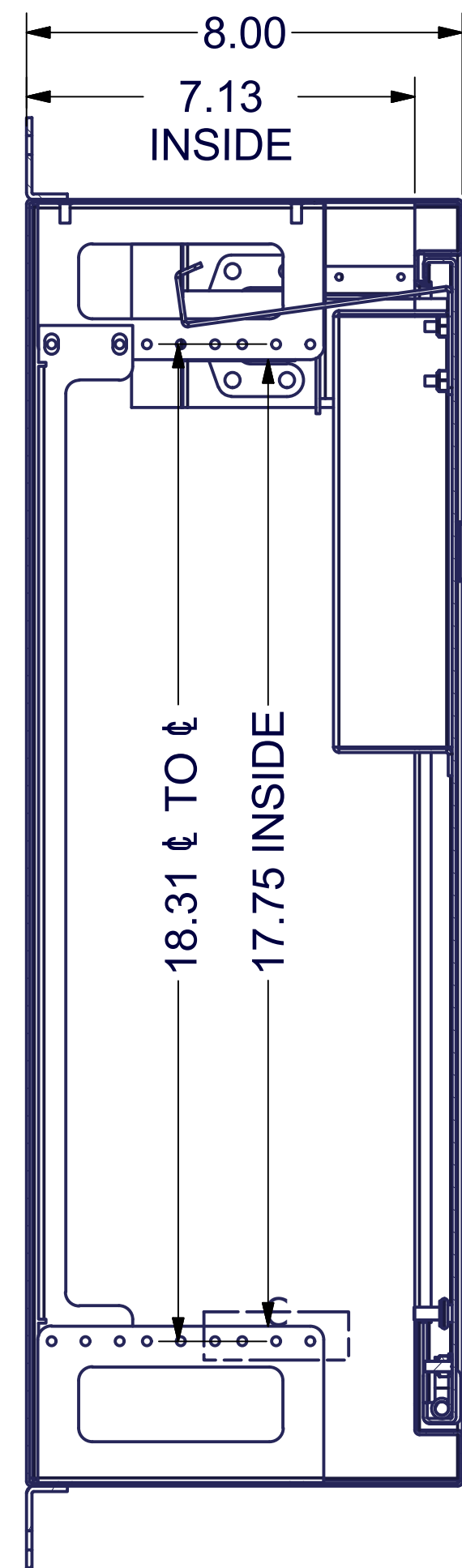
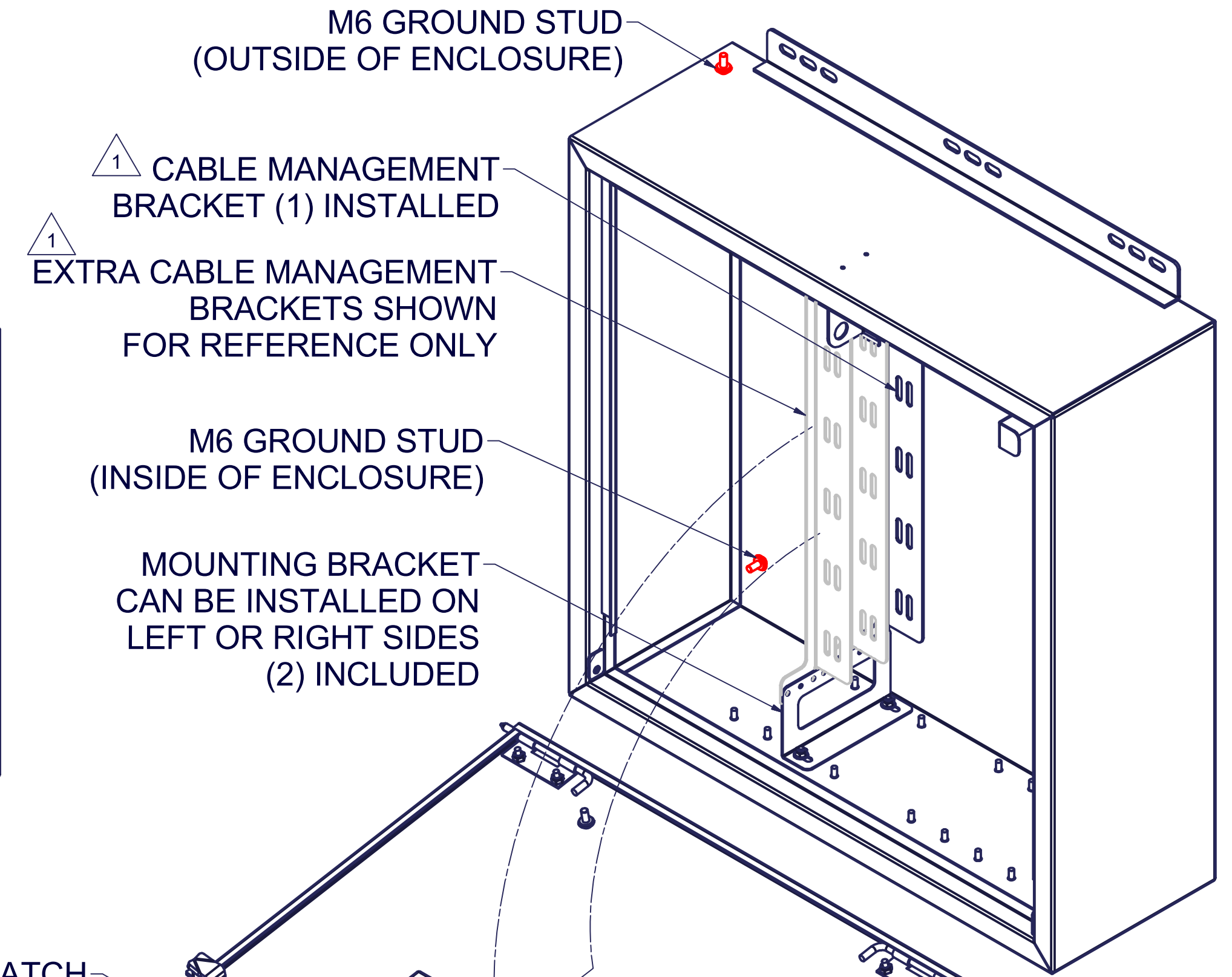
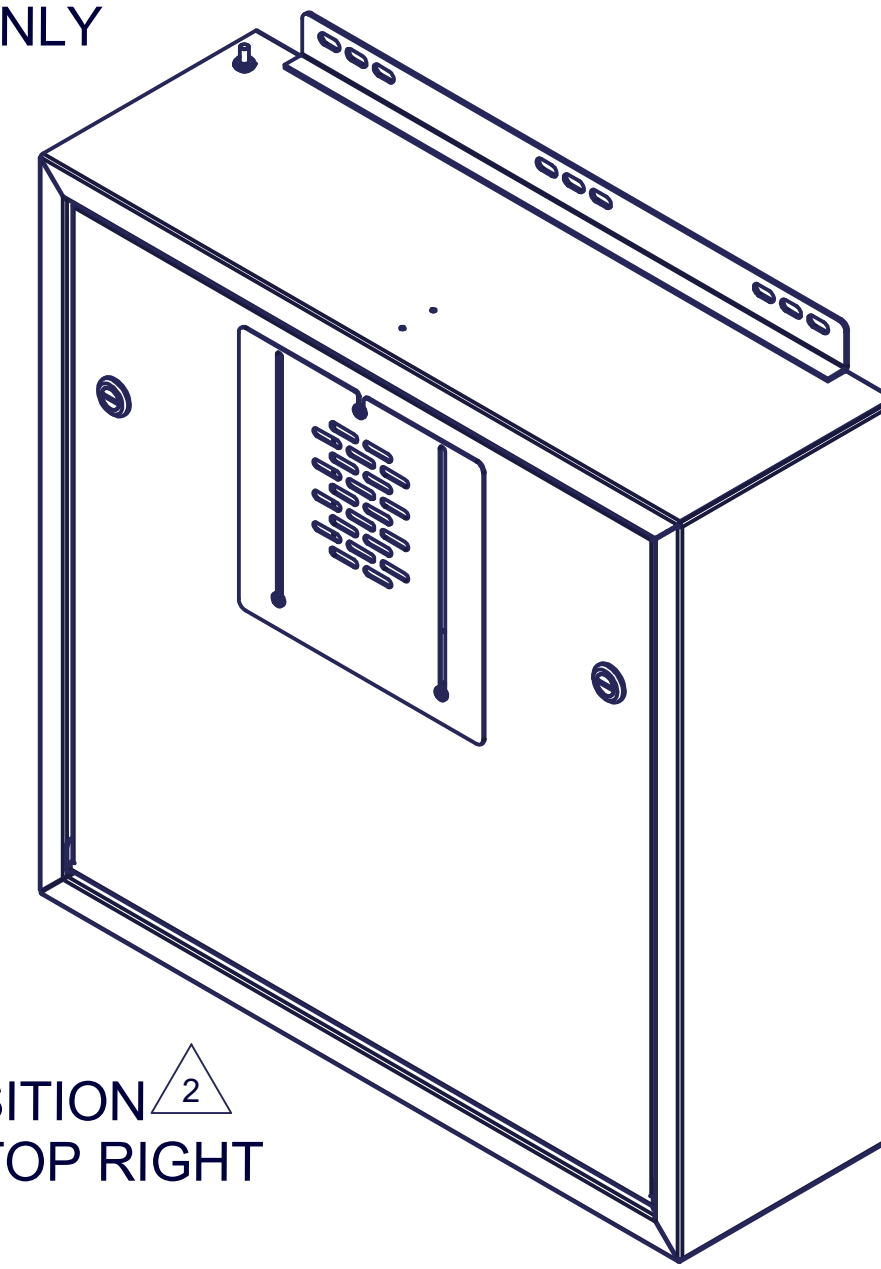
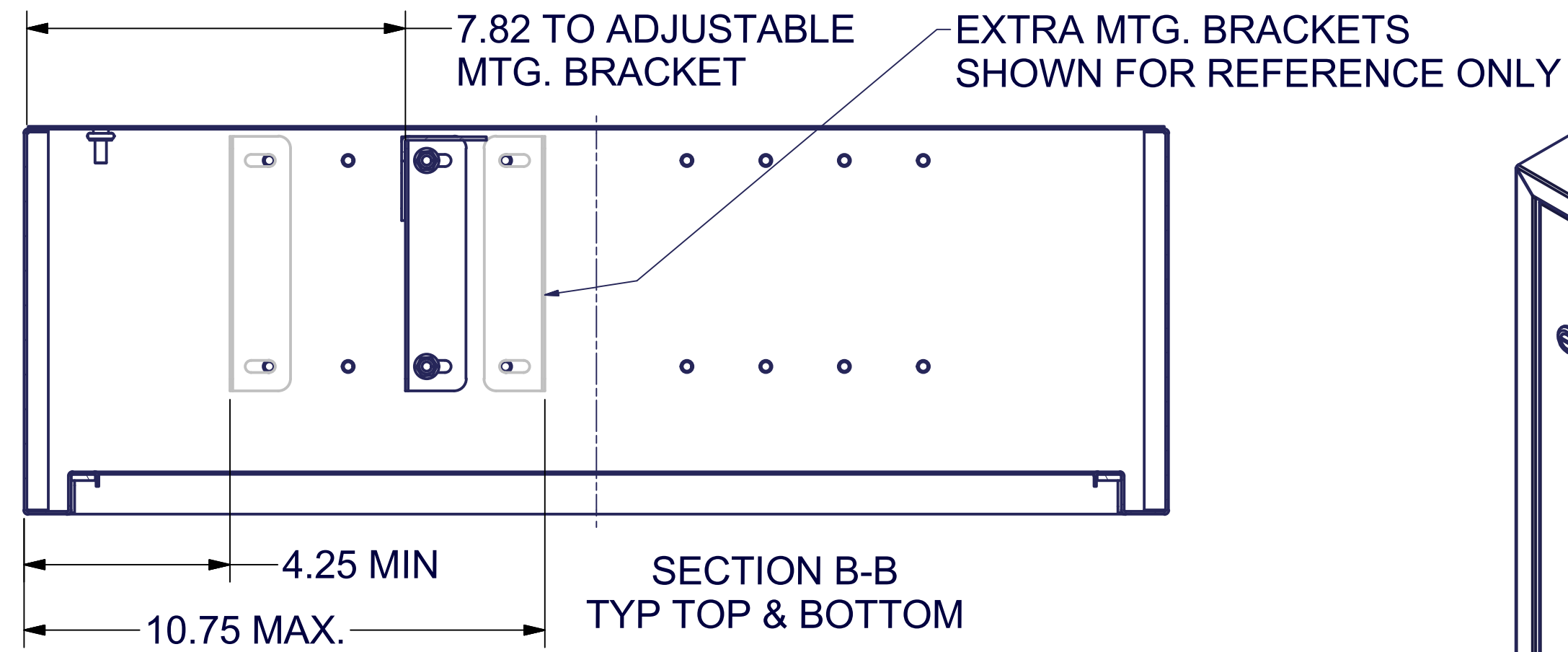
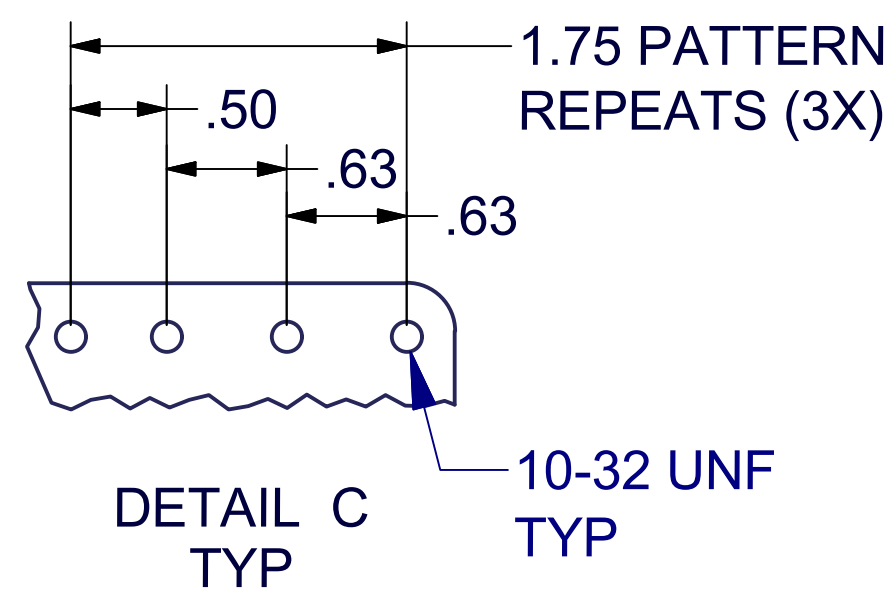
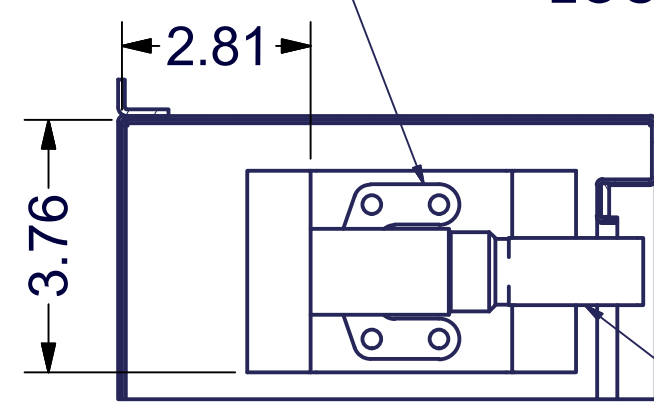


REVISION HISTORY			
REV	DESCRIPTION	DATE	APPROVED
0	PRELIM.	12/19/2016	VL
1	PRELIM.	12/20/2016	VL
2	PRELIMINARY	8/15/2019	PCS



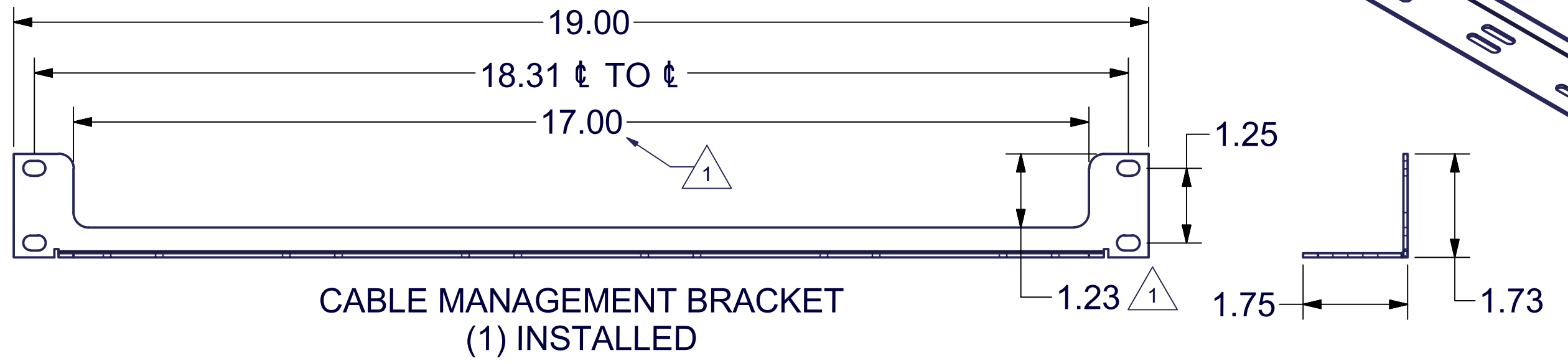
OPTIONAL DOOR LATCH
REMOVABLE DOOR W/ SPRING-PIN HINGES

DOOR POSITION SENSOR, SUPPLIED BY CUSTOMER, INSTALLED BY GLCC



LOCK COVER PLATE

BRACKET WELDED TO DOOR



SECTION A-A SIDE VIEW

FRONT VIEW DOOR NOT SHOWN FOR CLARITY

CABLE MANAGEMENT BRACKET (1) INSTALLED

INTERPRET DRAWING PER ASME Y14.5M-1994
DIMENSIONAL LIMITS APPLY AFTER APPLICATION OF FINISH
DRAWING NOT TO SCALE
TOLERANCE UNLESS OTHERWISE NOTED:
ANGULAR +/- 1'
.XXXX +/- .010
.XXX +/- .015
.XX +/- .030
.X FOR REF. ONLY
UNLESS OTHERWISE SPECIFIED ALL DIMENSIONS ARE IN INCHES

NOTICE:
Use of this document is subject to a confidentiality and nondisclosure agreement with Great Lakes Case & Cabinet Co., Inc. (GLCC) and may not be reproduced, disclosed or utilized in whole or in part without prior written authorization from GLCC.

PART NUMBER:	SEAL-ZE2424WM
QTY PER UNIT:	1
MATERIAL TYPE:	GRS
MATERIAL GAUGE:	SEE DETAILS
FINISH:	POWDERCOATED
DRAWN:	12/19/2016
CHECKED:	12/19/2016
WSS	

TITLE: 24"H X 24"W X 8"D SECURE ENCLOSURE
GREAT LAKES CASE & CABINET CO., INC.
P.O. BOX 551 EDINBORO, PA 16412
PHONE (814) 734-7303 FAX (814) 734-3907
E-MAIL glcc@greatcabinets.com

DWG NO:	I-2548	REV	2	SHEET 1 OF 1
---------	--------	-----	---	--------------

Previous part number DC#11229