

product spotlight

HOTLOK® FILLER PANELS

The HotLok® Filler Panel is a snap-in filler panel that seals the rack 29% better than the nearest competitor. The state-of-the-art technology, designed for both 1U and 2U openings, controls airflow for optimized cooling effectiveness. HotLok® Filler Panel is Upsite's latest green solution for energy savings and reducing the carbon footprint of data centers.

Both 1RMU and 2RMU configured versions achieve the following:

- Reduce hotspots and bypass airflow by preventing equipment exhaust air or hot-aisle air from migrating to the conditioned air intake stream at the front of the enclosure.
- Deliver lower temperature conditioned air to the upper one-third of the enclosure, typically the hottest area and the most prone to equipment failure.
- Controls airflow to save energy by adjusting cooling unit setpoints.

Plastic filler panels can also be ordered with temperature strips. Enclosure temperatures are indicated in color-coded ranges, depending on location of temperature strip panel, and are accurate to within +/- 1°C. Color-coded temperature ranges indicate potential hot spots by color based on ASHRAE standard

Liquid crystal material in the temperature strips shows temperatures in ranges of green, brown, and blue. The actual temperature is indicated when the liquid crystal material is green. If green is not visible on the strip, the actual temperature will be the number between the brown and blue colors. Colored range indicators denote the following:

- **Blue:** Optimal Operating Range based on recommendations as updated in ASHRAE's 2008 Environmental Guidelines for Datacom Equipment
- **Yellow:** Acceptable Operating Range based on equipment manufacturers' recommendations for Class 1 IT equipment
- **Red:** Outside acceptable operating range — indicates a definite hotspot above 90°F (32°C) or potential for condensation below 59°F (15°C), either of which may result in equipment failure



1 RMU



2 RMU

PART NO.

GLHL10031CP

DESCRIPTION

1 RMU snap-in plastic filler panel, 19" mounting for use with 3/8" sq. (M6), #12-24, and #10-32 rails; pack of 10

GLHL10035CP

1 RMU snap-in plastic filler panel with temperature strip, 19" mounting for use with 3/8" sq. (M6), #12-24, and #10-32 rails; pack of 10

GLHL10033CP

2 RMU snap-in plastic filler panel, 19" mounting for use with 3/8" sq. (M6), #12-24, and #10-32 rails; pack of 5

GLHL10038CP

2 RMU snap-in plastic filler panel with temperature strip, 19" mounting for use with 3/8" sq. (M6), #12-24, and #10-32 rails; pack of 5

GLHL10009CP

Pack of 10 temperature strips

FEATURES

- Cantilevered sealing vanes eliminate the gap between adjoining Filler Panels or with installed equipment
- Tool-free, snap-in installation requires no additional parts or components for installation
- Easy-pull removal for any EIA-310-E standard openings using grips
- 1U Panels stack 10 high and 2U Panels stack 20 high for easy storage and ready availability

APPLICATIONS

- Use 1U and 2U versions on cabinets with standard 19-inch rail widths (483 millimeter)
- Use with any standard EIA-310-E openings
- Use in a Hot and Cold Aisle layout for low or high heat density cabinets
- Use in existing cabinets for optimization and standardization

PATENT PENDING DESIGN

U.S. design patent number D577,360. Utility and international patents are pending.

CERTIFICATIONS AND CONFORMANCE

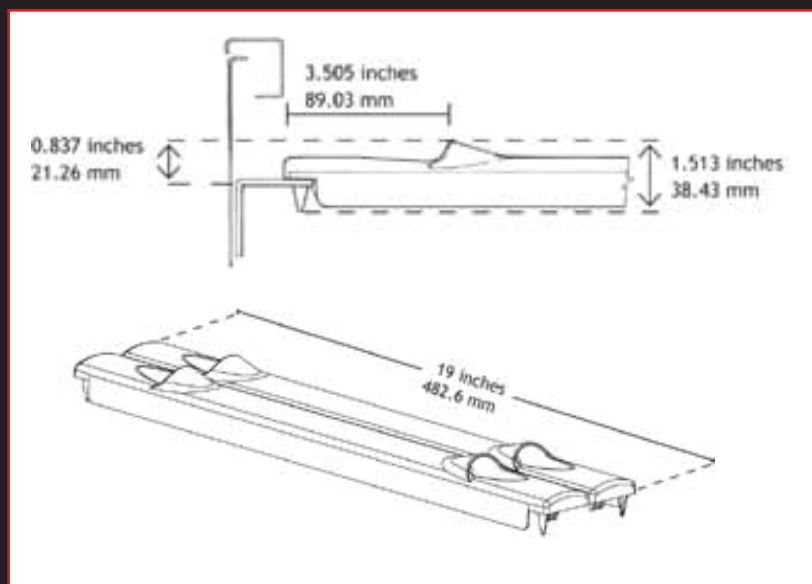
RoHS Compliant: HotLok® Blanking Panels are made of blended acrylonitrile butadiene styrene (ABS) that does not contain bromic compounds that have been found to be environmentally harmful.

RECYCLABLE

The blanking panel product is made with recyclable ABS and the resulting product is recyclable. In addition, all packaging is made with some post-consumer recycled content and is 100 percent recyclable.

WARRANTY

HotLok® Blanking Panels have a warranty for 12 months upon purchase date. The warranty can be extended from 12 to 28 months by registering the purchase online at upsite.com/warranty



WeRackYourWorld.com

CORPORATE HEADQUARTERS

P.O. Box 551
Edinboro, PA 16412
1.866.TRY.GLCC
(1.866.879.4522)
Phone: 814.734.7303
Fax: 814.734.3907
glcc@greatcabinets.com

GREAT LAKES MANUFACTURING, INC.

1521 Enterprise Road
Corry, PA 16407
Phone: 814.734.2436
Fax: 814.665.7025
glm@greatmanufacturing.net

WESTERN DISTRIBUTION

4750 Joule Street
Reno, NV 89502
Phone: 775.829.9913
Fax: 775.829.9926
glcc@greatcabinets.com

SOUTHEAST DISTRIBUTION

3630 Shaw Blvd.
Suite 4, Naples, FL 34117
Phone: 1.866.TRY.GLCC
Fax: 239.304.1226
glcc@greatcabinets.com

GREAT LAKES INTERNATIONAL LTD.

Aerbridge House, Unit 14
Dunshaughlin Business Park
Dunshaughlin Co. Meath
Ireland
Phone: +353 1 825 8777
Fax: +353 1 825 8778
glcc@greatcabinets.com

GREAT LAKES HUNGARY KFT

Zsurló utca 13
8000 Székesfehérvár
Hungary
Phone: +36 22 880 420
Fax: +36 22 880 429
glcc@greatcabinets.com