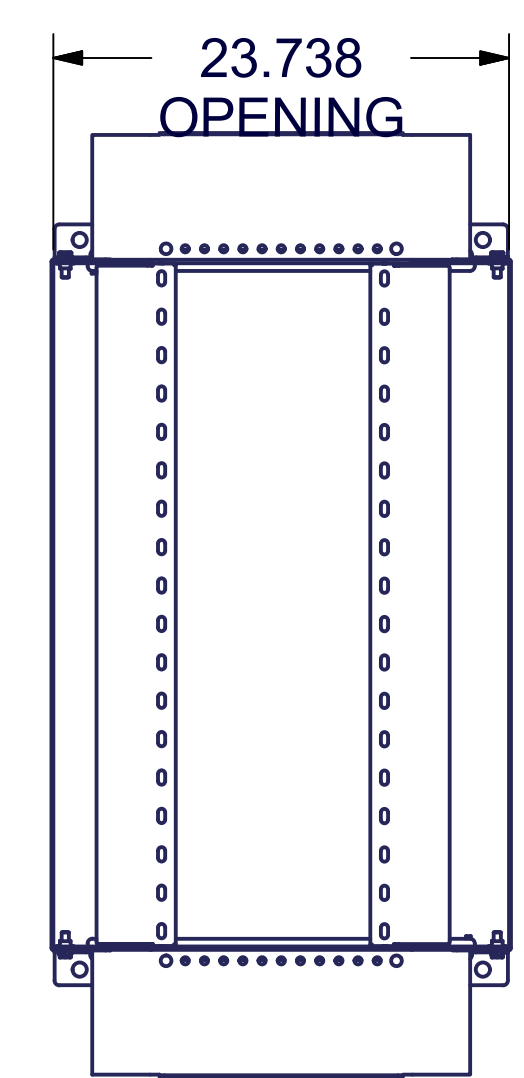
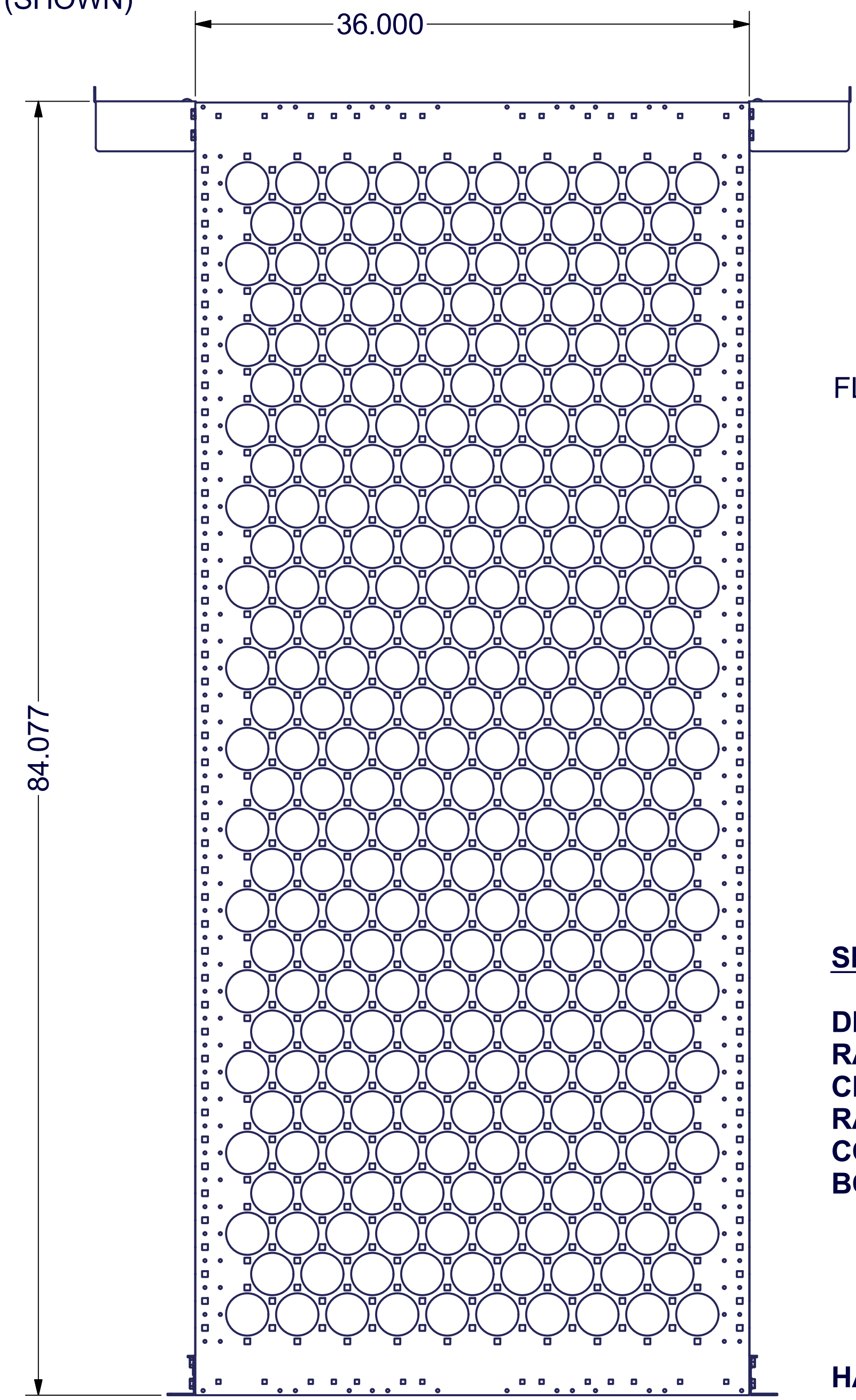
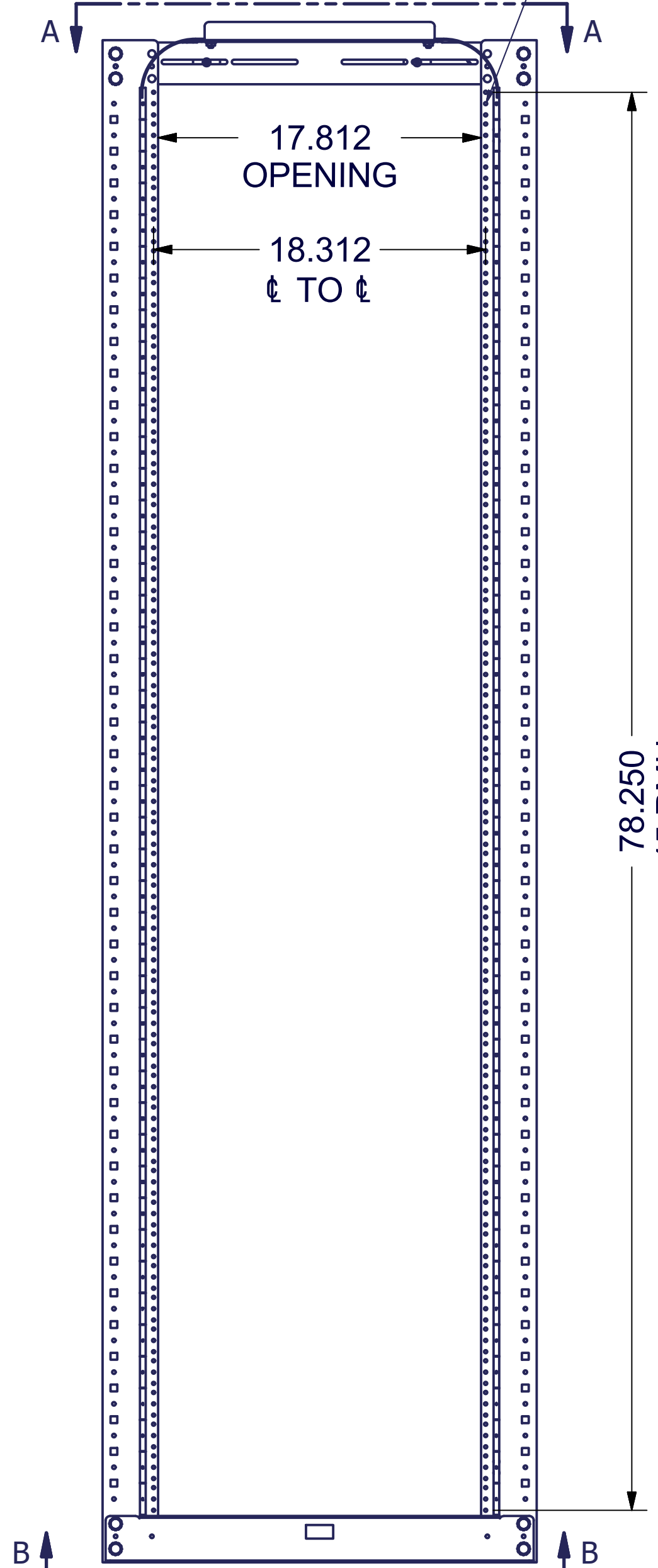
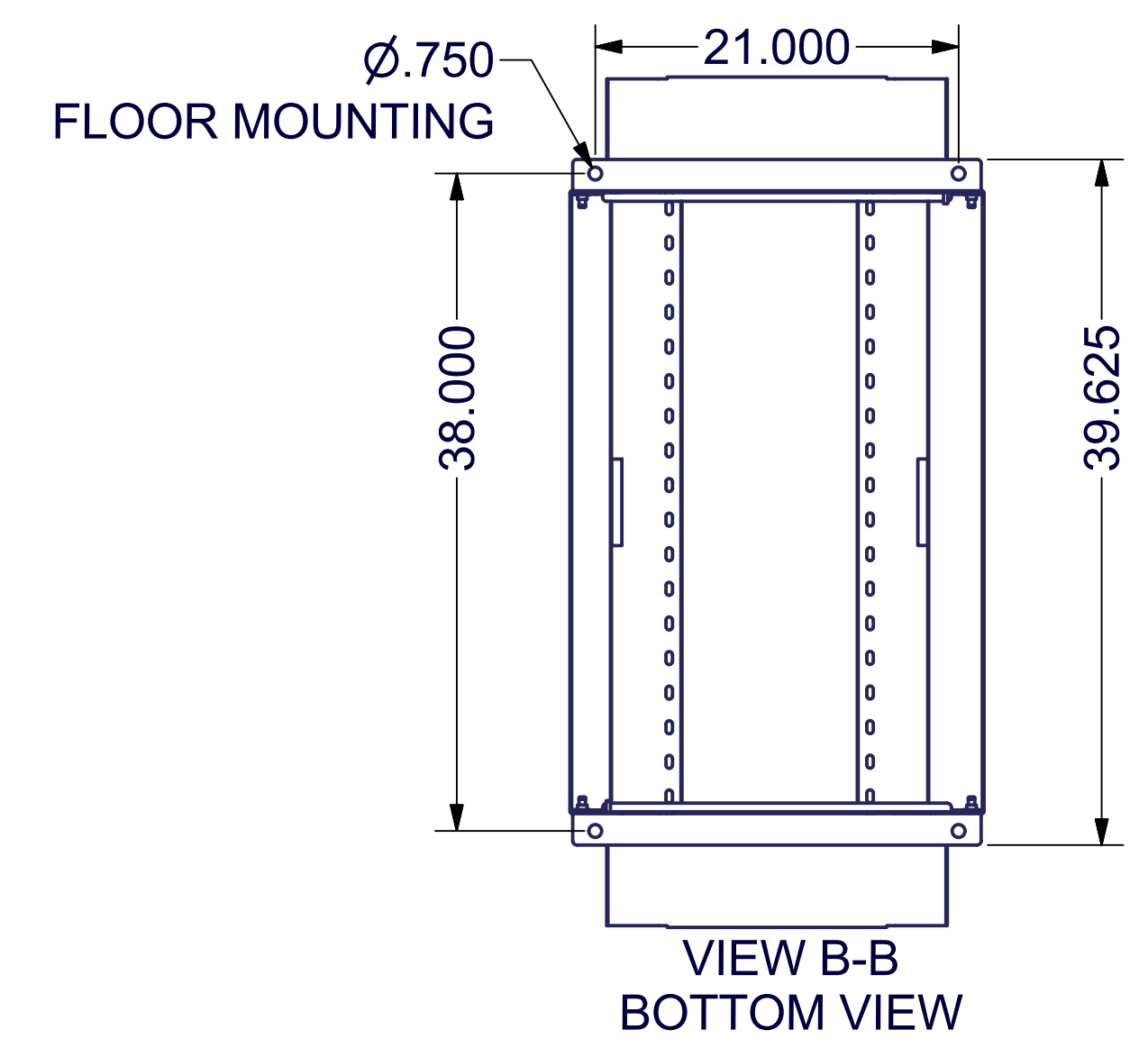


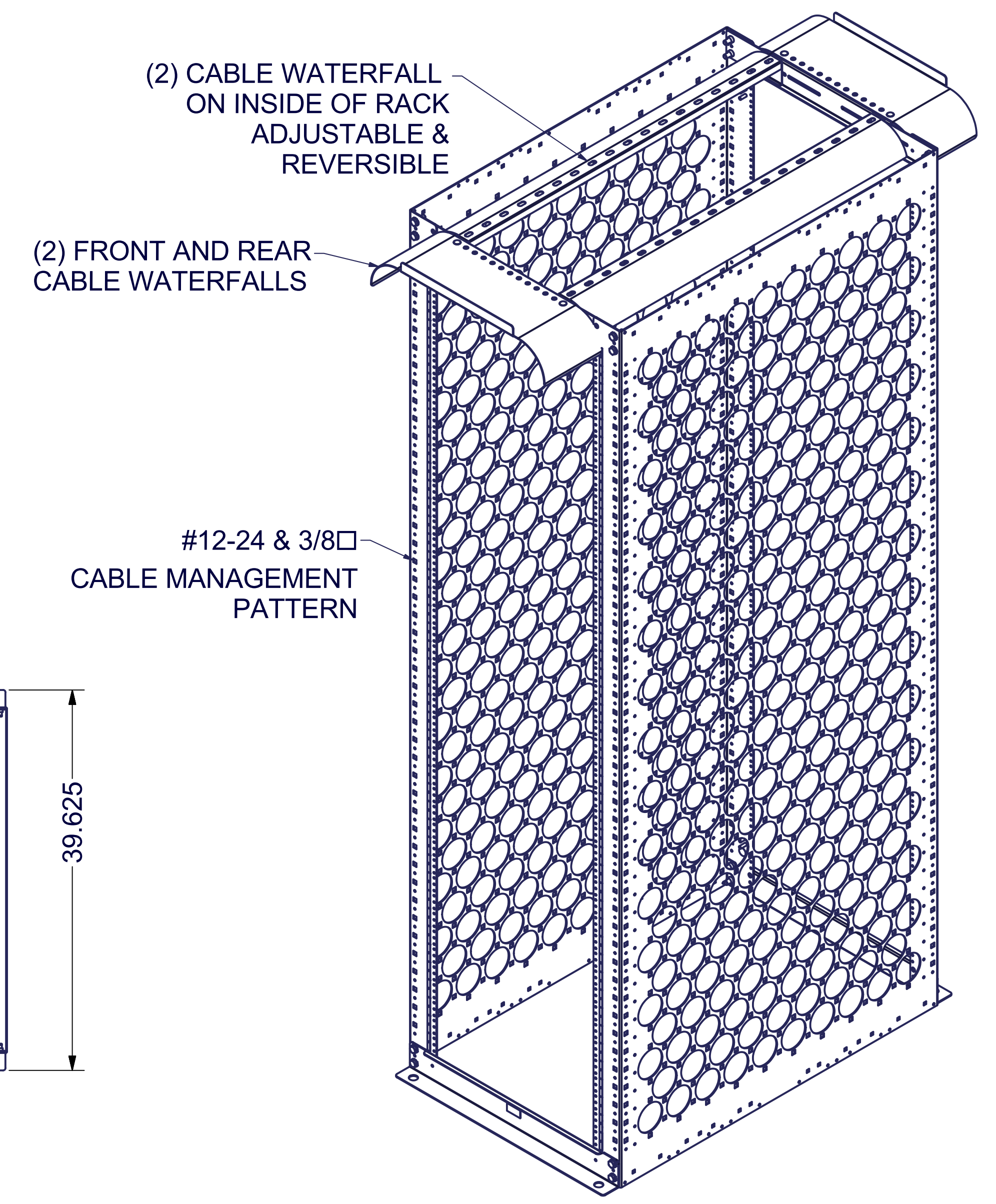
EQUIPMENT MOUNTING HOLES  
#12-24 TAPPED (SHOWN)



VIEW A-A  
TOP VIEW



VIEW B-B  
BOTTOM VIEW



**SPECIFICATIONS:**

- DIMENSIONS :** 84"H x 24"W @ 19EIA / 28"W@ 23EIA x 36" D: SHIPS FLAT UNASSEMBLED
- RACK SPACES :** 45 RMU w/ RMU INDICATORS, 19" EIA / 23"EIA : 310-E COMPLIANT
- CERTIFICATIONS :** UL 2416, RoHS II
- RAILS RATED AT :** 2500 lbs.
- COLOR :** DURABLE TEXTURED POWDER COATING
- BOLT TOGETHER CONSTRUCTION :**
  - VERTICAL CHANNEL RAILS , #12 GA. C.R.S.
  - TOP HORIZONTAL MEMBER, #12 GA. C.R.S.
  - BOTTOM HORIZONTAL FEET, #12 GA. C.R.S.
  - TOP WATERFALL HORIZONTAL SUPPORT, #14 GA. C.R.S.
  - (16) 3/8-16 x 3/4"L BOLTS AND NUTS
- HARDWARE :** PACKAGE OF QTY-50; #12-24 SCREWS, INCLUDED.
- (2) PACKAGES OF QTY-10; CM-26 3.5" x 5" PLASTIC CABLE RINGS

EST. WEIGHT :  
N/A



INTERPRET DRAWING PER ASME Y14.5M-1994  
DIMENSIONAL LIMITS APPLY  
AFTER APPLICATION OF FINISH  
DRAWING NOT TO SCALE  
TOLERANCE UNLESS OTHERWISE NOTED:  
ANGULAR +/- 1'  
.XXXX +/- .010  
.XXX +/- .015  
.XX +/- .030  
.X FOR REF. ONLY  
UNLESS OTHERWISE SPECIFIED  
ALL DIMENSIONS ARE IN INCHES

**NOTICE:**  
Use of this document is subject to a confidentiality and nondisclosure agreement with Great Lakes Case & Cabinet Co., Inc. (GLCC) and may not be reproduced, disclosed or utilized in whole or in part without prior written authorization from GLCC.

PART NUMBER:  
CMRX-45U36-X-1224  
MATERIAL TYPE:  
MATERIAL GAUGE:  
FINISH: POWDER  
DRAWN: CND  
DATE: 3/4/2020  
CHECKED & APP.:

TITLE: 45RU, 84"H x 36"D CABLE MANAGEMENT X RACK, VENDOR LEVEL ASSEMBLY  
GREAT LAKES CASE & CABINET CO., INC.  
P.O. BOX 551 EDINBORO, PA 16412  
PHONE (814) 734-7303 FAX (814) 734-3907  
E-MAIL glcc@greatcabinets.com  
DWG NO.:  
REV:  
SHEET: 1 OF 1