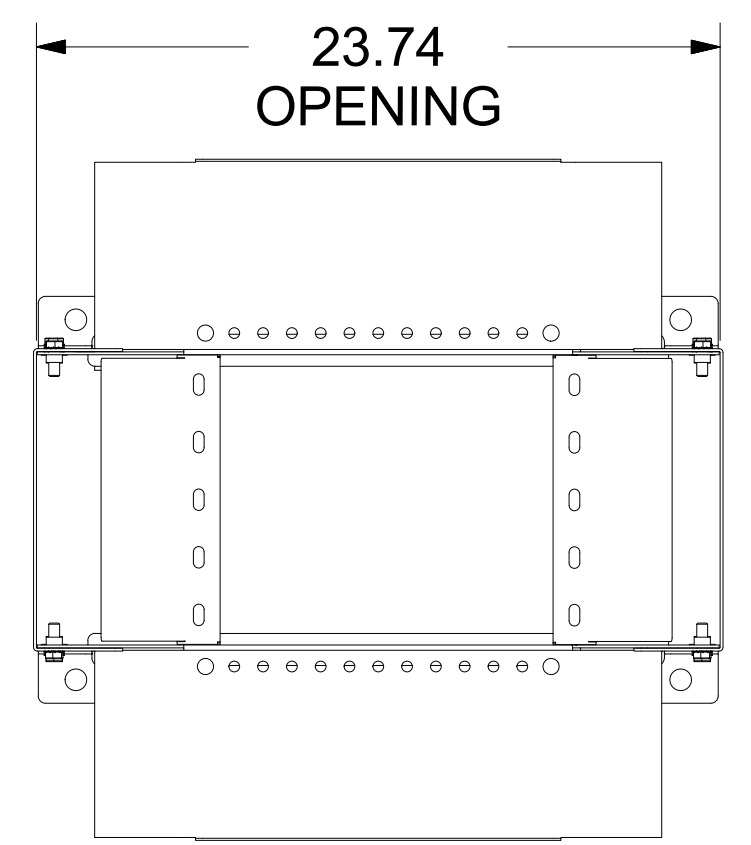
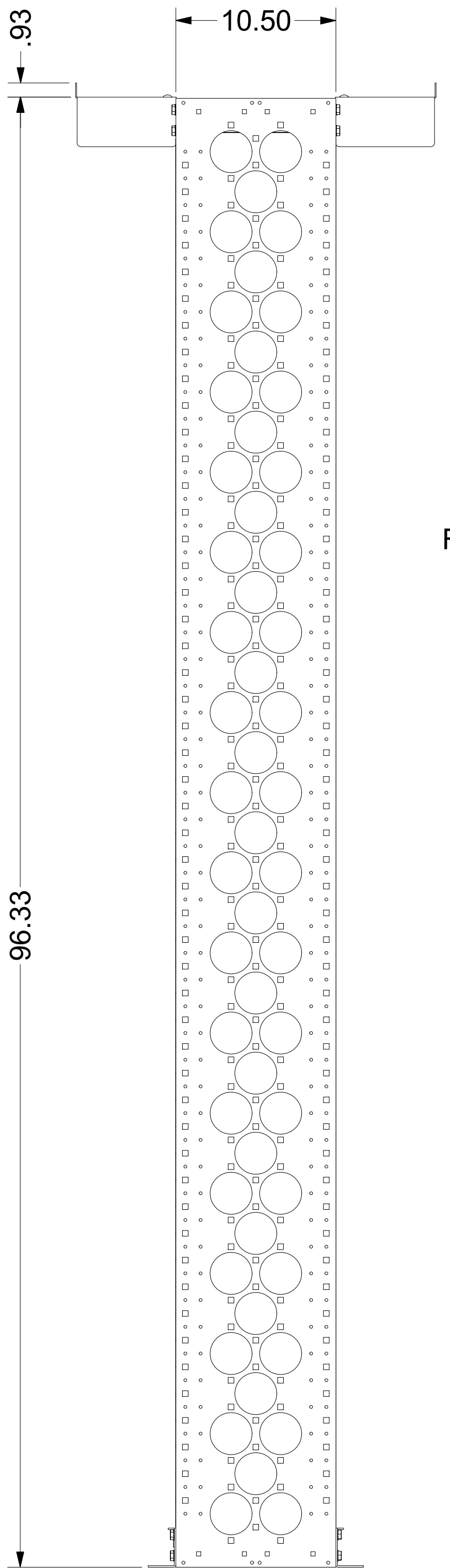
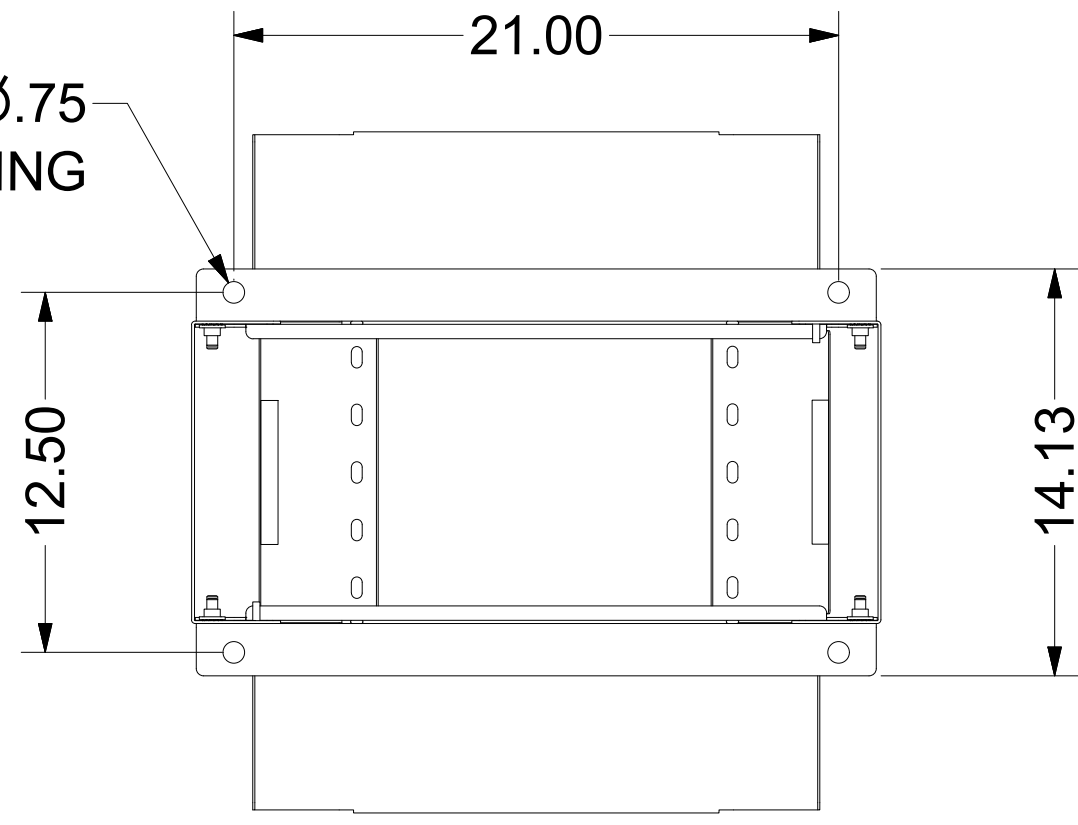


EQUIPMENT MOUNTING HOLES SQM6 (SHOWN)

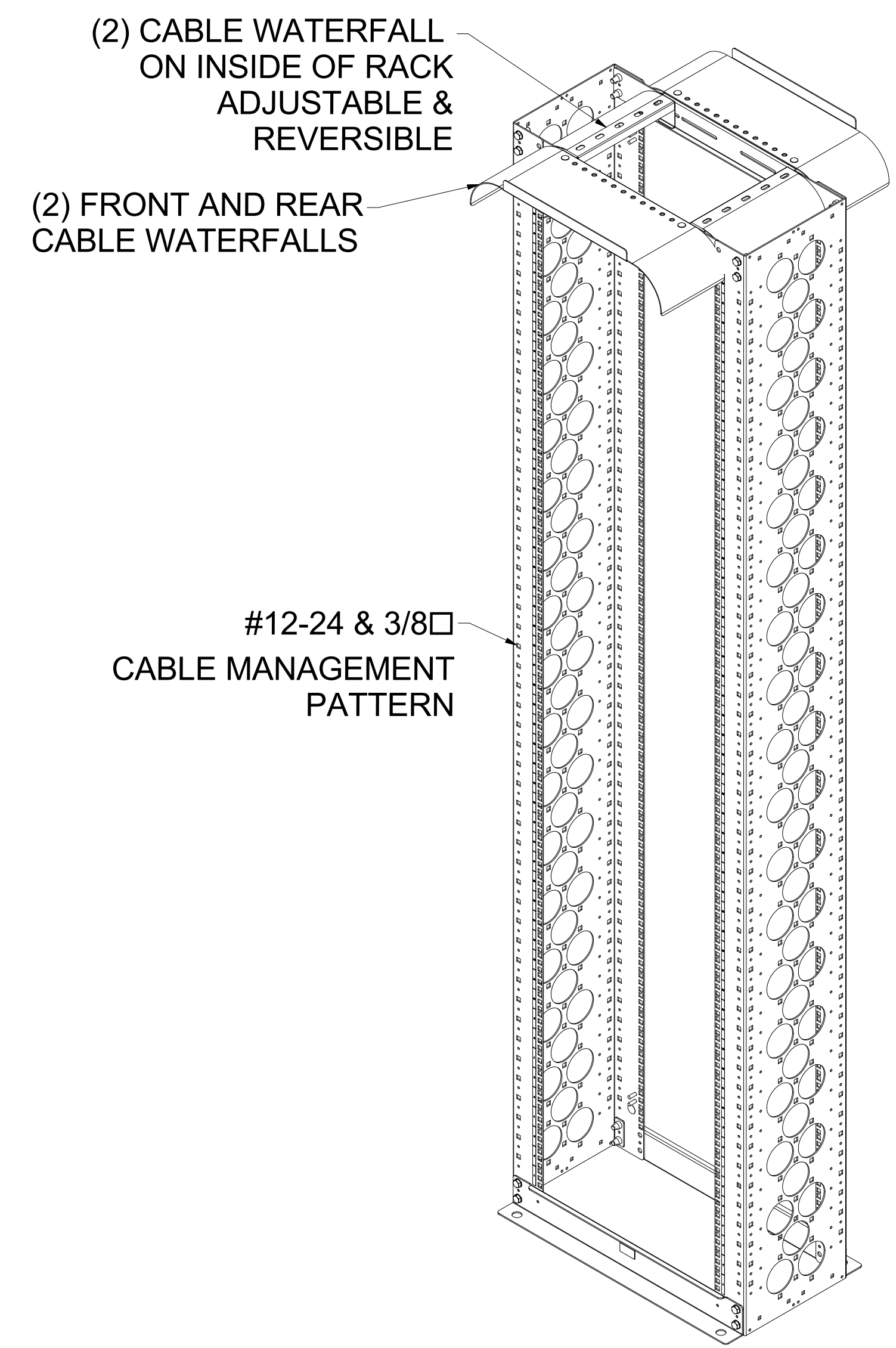
90.50
52 RMU



VIEW A-A
TOP VIEW



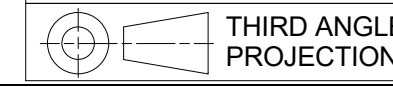
VIEW B-B
BOTTOM VIEW



SPECIFICATIONS:

- DIMENSIONS :** 96"H x 24"W @ 19EIA / 28"W@ 23EIA x 10"D : SHIPS FLAT UNASSEMBLED
- RACK SPACES :** 52 RMU w/ RMU INDICATORS, 19" EIA / 23"EIA : 310-E COMPLIANT
- CERTIFICATIONS :** UL 2416, RoHS II
- RAILS RATED AT :** 2500 lbs.
- COLOR :** DURABLE TEXTURED POWDER COATING
- BOLT TOGETHER CONSTRUCTION :**
 - VERTICAL CHANNEL RAILS , #12 GA. C.R.S.
 - TOP HORIZONTAL MEMBER, #12 GA. C.R.S.
 - BOTTOM HORIZONTAL FEET, #12 GA. C.R.S.
 - TOP WATERFALL HORIZONTAL SUPPORT, #14 GA. C.R.S.
 - (16) 3/8-16 x 3/4"L BOLTS AND NUTS
- HARDWARE :** PACKAGE OF QTY-50; #12-24 SCREWS, INCLUDED.
- (2) PACKAGES OF QTY-10; CM-26 3.5" x 5" PLASTIC CABLE RINGS

EST. WEIGHT :
N/A



INTERPRET DRAWING PER ASME Y14.5M-1994
DIMENSIONAL LIMITS APPLY AFTER APPLICATION OF FINISH
DRAWING NOT TO SCALE
TOLERANCE UNLESS OTHERWISE NOTED:
ANGULAR +/- 1'
.XXXX +/- .010
.XXX +/- .015
.XX +/- .030
.X FOR REF. ONLY
UNLESS OTHERWISE SPECIFIED ALL DIMENSIONS ARE IN INCHES

NOTICE:
Use of this document is subject to a confidentiality and nondisclosure agreement with Great Lakes Case & Cabinet Co., Inc. (GLCC) and may not be reproduced, disclosed or utilized in whole or in part without prior written authorization from GLCC.

PART NUMBER:
CMRX-52U10-X-SQM6
MATERIAL TYPE:
MATERIAL GAUGE:
FINISH: POWDER
DRAWN: CND
CHECKED & APP.:

TITLE: 52RU, 96.25"H x 10.5"D CABLE MANAGEMENT X RACK, VENDOR LEVEL ASSEMBLY
GREAT LAKES CASE & CABINET CO., INC.
P.O. BOX 551 EDINBORO, PA 16412
PHONE (814) 734-7303 FAX (814) 734-3907
E-MAIL glcc@greatcabinets.com
DWG NO.:
REV:
SHEET: 1 OF 1