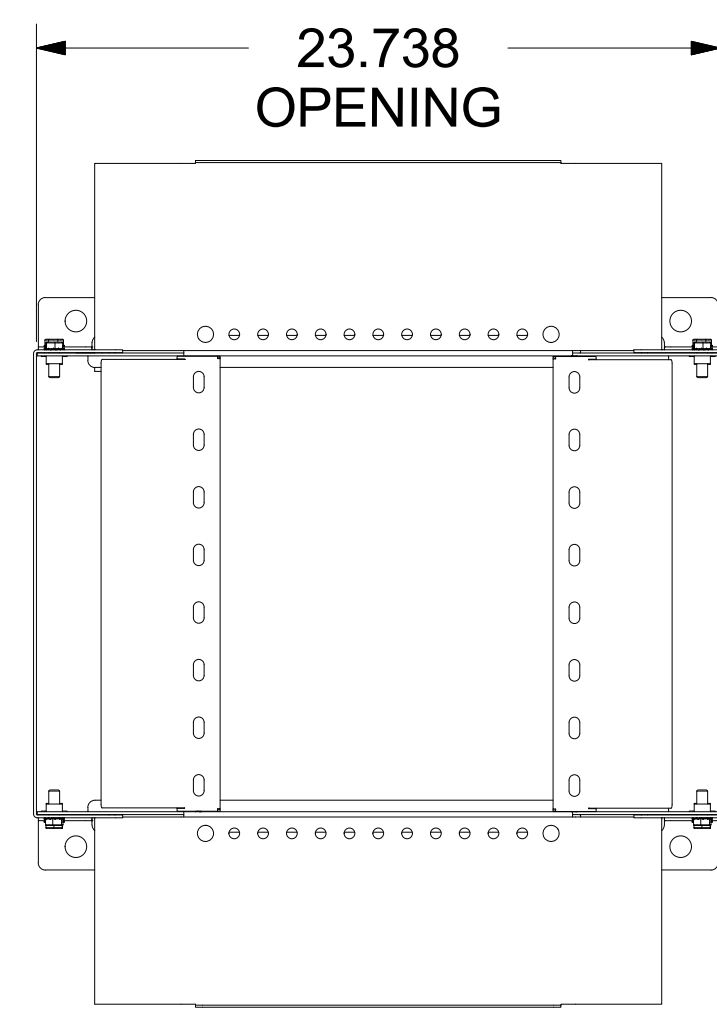
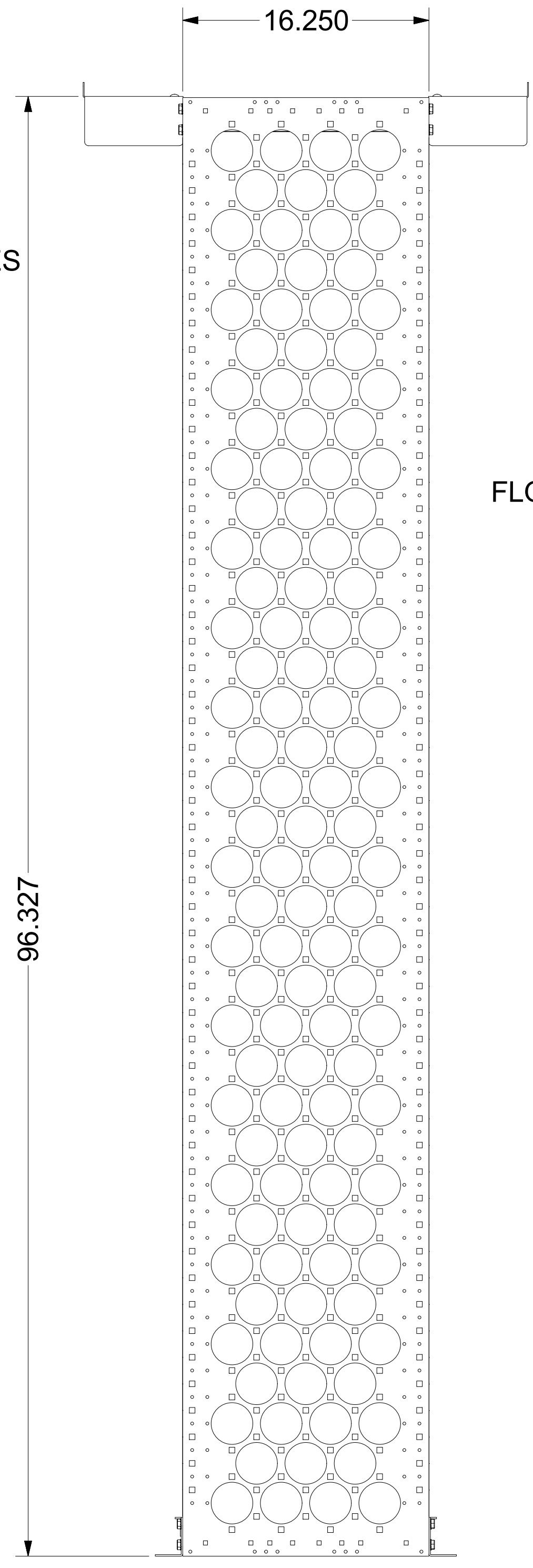
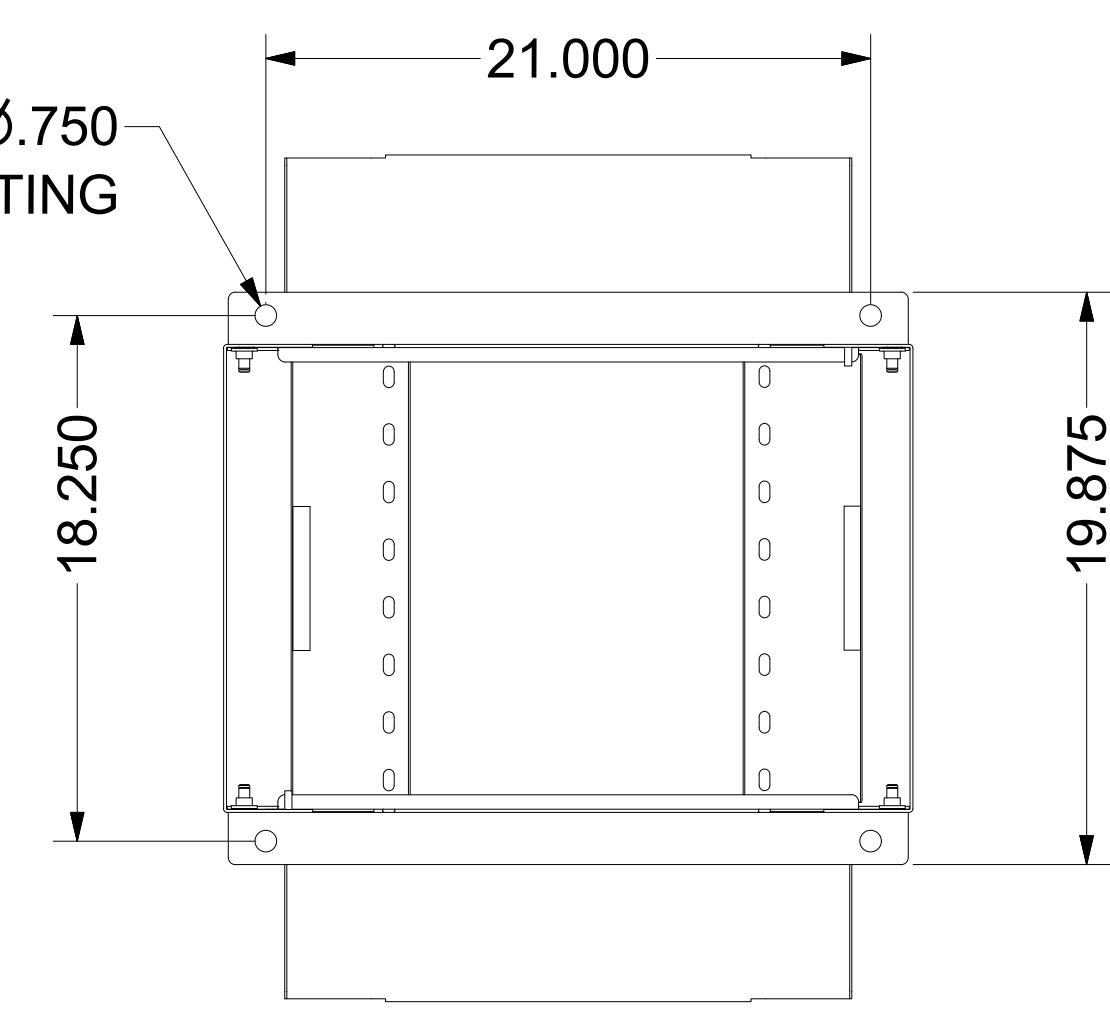


EQUIPMENT MOUNTING HOLES SQM6 (SHOWN)



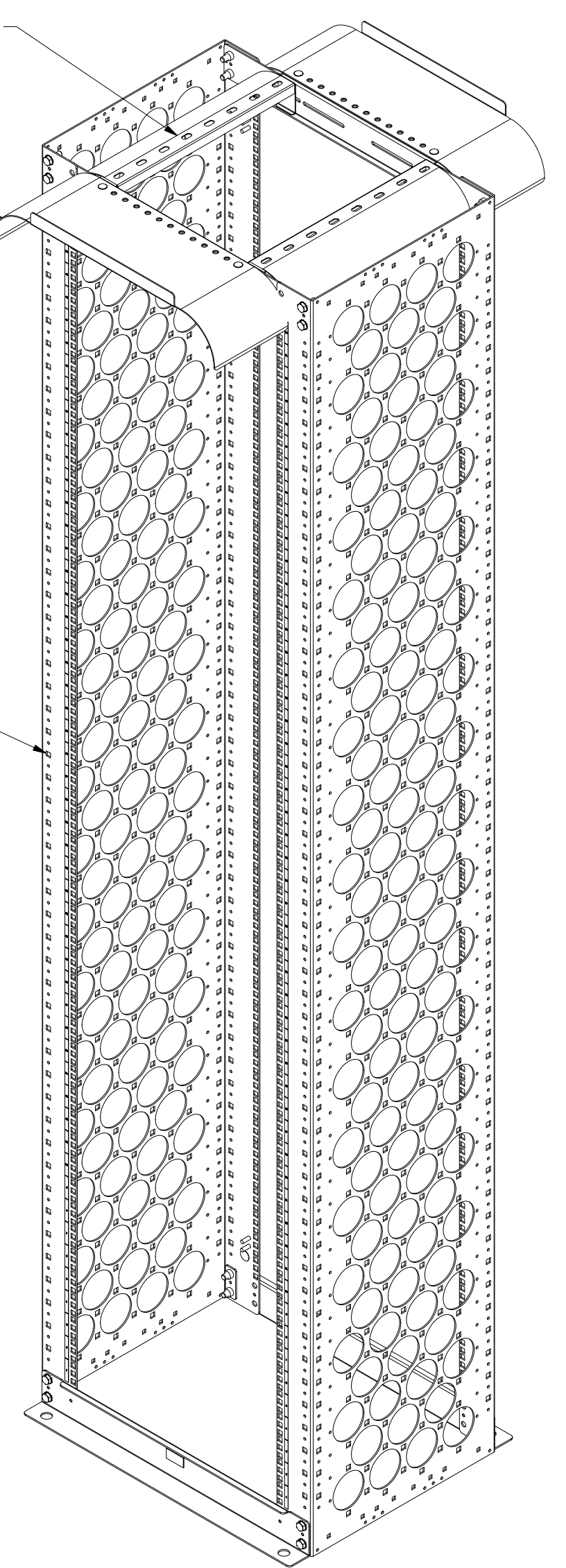
VIEW A-A
TOP VIEW



VIEW B-B
BOTTOM VIEW

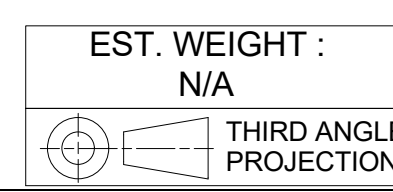
(2) CABLE WATERFALL ON INSIDE OF RACK ADJUSTABLE & REVERSIBLE
(2) FRONT AND REAR CABLE WATERFALLS

#12-24 & 3/8" CABLE MANAGEMENT PATTERN



SPECIFICATIONS:

- DIMENSIONS :** 96"H x 24"W @ 19EIA / 28"W@ 23EIA x 16" D: SHIPS FLAT UNASSEMBLED
- RACK SPACES :** 52 RMU w/ RMU INDICATORS, 19" EIA / 23"EIA : 310-E COMPLIANT
- CERTIFICATIONS :** UL 2416, RoHS II
- RAILS RATED AT :** 2500 lbs.
- COLOR :** DURABLE TEXTURED POWDER COATING
- BOLT TOGETHER CONSTRUCTION :**
 - VERTICAL CHANNEL RAILS , #12 GA. C.R.S.
 - TOP HORIZONTAL MEMBER, #12 GA. C.R.S.
 - BOTTOM HORIZONTAL FEET, #12 GA. C.R.S.
 - TOP WATERFALL HORIZONTAL SUPPORT, #14 GA. C.R.S.
 - (16) 3/8-16 x 3/4"L BOLTS AND NUTS
- HARDWARE :** PACKAGE OF QTY-50; #12-24 SCREWS, INCLUDED.
- (2) PACKAGES OF QTY-10; CM-26 3.5" x 5" PLASTIC CABLE RINGS



| |
|---|
| INTERPRET DRAWING PER ASME Y14.5M-1994 |
| DIMENSIONAL LIMITS APPLY AFTER APPLICATION OF FINISH |
| DRAWING NOT TO SCALE |
| TOLERANCE UNLESS OTHERWISE NOTED: |
| ANGULAR +/- 1° |
| .XXXX +/- .010 |
| .XXX +/- .015 |
| .XX +/- .030 |
| .X FOR REF. ONLY |
| UNLESS OTHERWISE SPECIFIED ALL DIMENSIONS ARE IN INCHES |

NOTICE:
Use of this document is subject to a confidentiality and nondisclosure agreement with Great Lakes Case & Cabinet Co., Inc. (GLCC) and may not be reproduced, disclosed or utilized in whole or in part without prior written authorization from GLCC.

| |
|-----------------------------------|
| PART NUMBER: CMRX-52U16-X-SQM6 |
| MATERIAL TYPE: |
| MATERIAL GAUGE: |
| FINISH: POWDER |
| DRAWN DATE CND 3/4/2020 |
| CHECKED & APP. DATE |

| |
|---|
| TITLE 52RU, 96.25"H x 16.25"D CABLE MANAGEMENT X RACK, VENDOR LEVEL ASSEMBLY |
| GREAT LAKES CASE & CABINET CO., INC. P.O. BOX 551 EDINBORO, PA 16412 PHONE (814) 734-7303 FAX (814) 734-3907 E-MAIL glcc@greatcabinets.com |
| DWG NO: |
| REV |
| SHEET: 1 OF 1 |