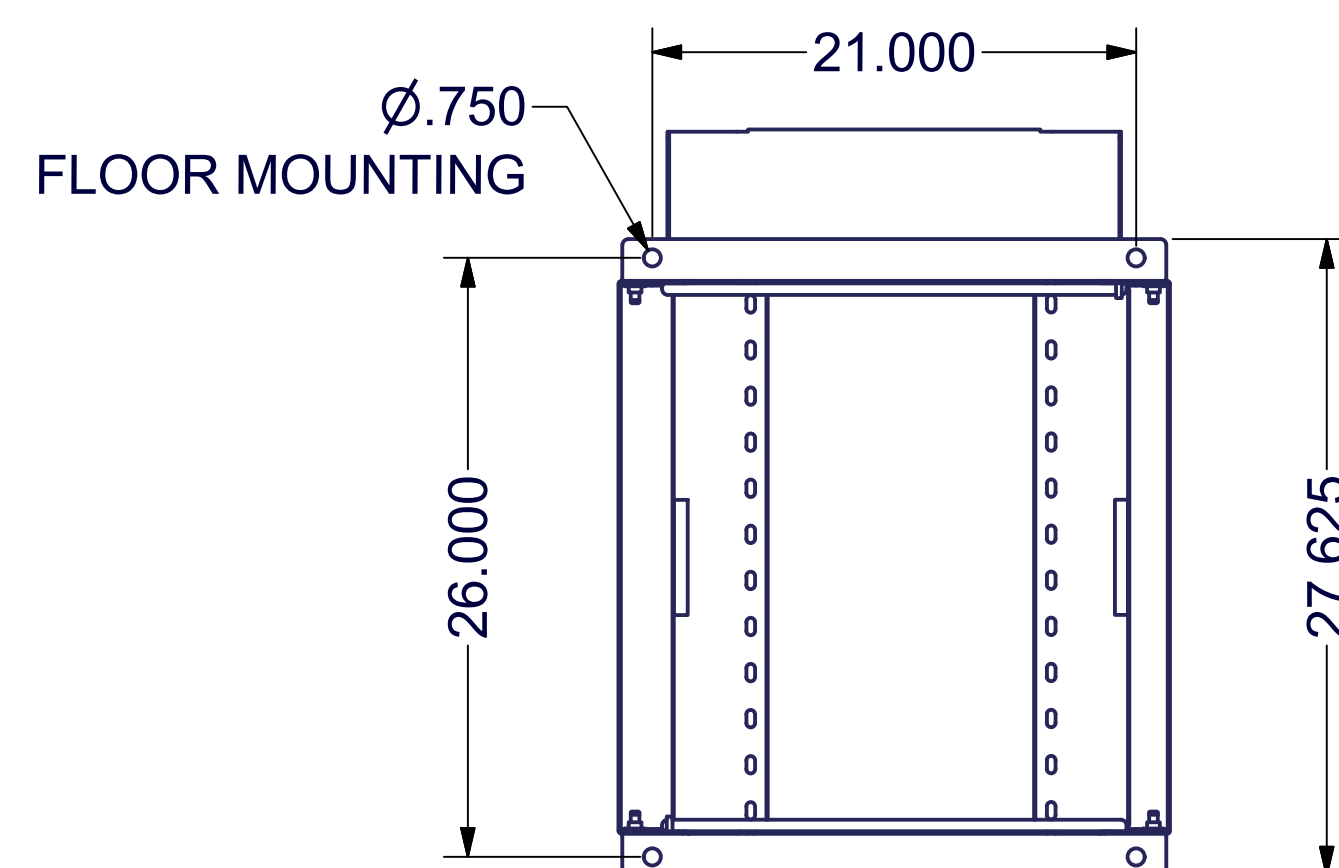
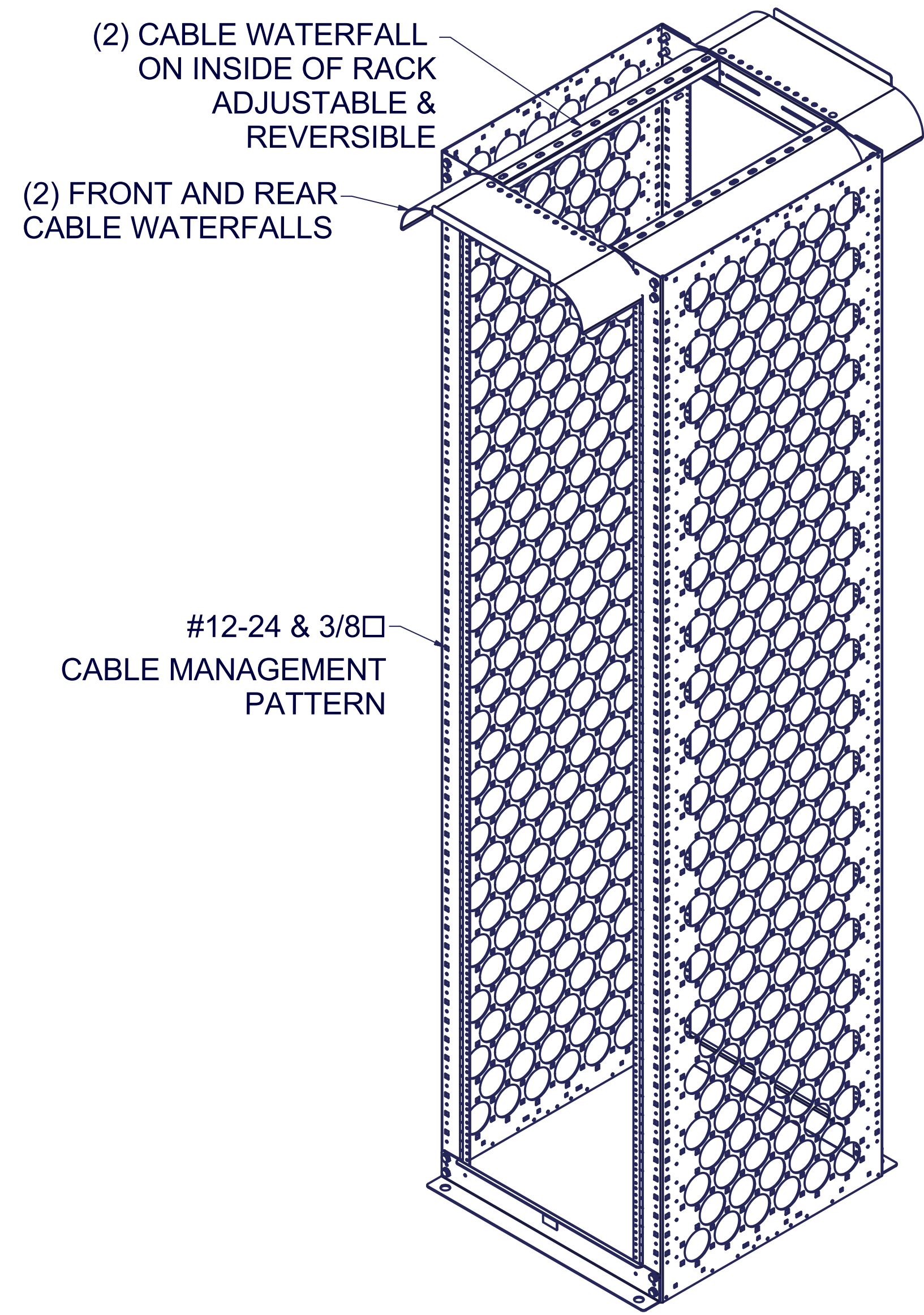


VIEW A-A
TOP VIEW



VIEW B-B
BOTTOM VIEW



SPECIFICATIONS:

DIMENSIONS : 96"H x 24"W @ 19EIA / 28"W@ 23EIA x 24" D: SHIPS FLAT UNASSEMBLED
RACK SPACES : 52 RMU w/ RMU INDICATORS, 19" EIA / 23"EIA : 310-E COMPLIANT
CERTIFICATIONS : UL 2416, RoHS II
RAILS RATED AT : 2500 lbs.
COLOR : DURABLE TEXTURED POWDER COATING
BOLT TOGETHER CONSTRUCTION :

VERTICAL CHANNEL RAILS , #12 GA. C.R.S.
 TOP HORIZONTAL MEMBER, #12 GA. C.R.S.
 BOTTOM HORIZONTAL FEET, #12 GA. C.R.S.
 TOP WATERFALL HORIZONTAL SUPPORT, #14 GA. C.R.S.
 (16) 3/8-16 x 3/4"L BOLTS AND NUTS

HARDWARE : PACKAGE OF QTY-50; #12-24 SCREWS, INCLUDED.
 (2) PACKAGES OF QTY-10; CM-26 3.5" x 5" PLASTIC CABLE RINGS

EST. WEIGHT :
N/A

THIRD ANGLE
PROJECTION

INTERPRET DRAWING PER ASME Y14.5M-1994
 DIMENSIONAL LIMITS APPLY
 AFTER APPLICATION OF FINISH
 DRAWING NOT TO SCALE
 TOLERANCE UNLESS OTHERWISE NOTED:
 ANGULAR +/- 1'
 .XXXX +/- .010
 .XXX +/- .015
 .XX +/- .030
 .X FOR REF. ONLY
 UNLESS OTHERWISE SPECIFIED
 ALL DIMENSIONS ARE IN INCHES

NOTICE:
 Use of this document is subject to a confidentiality and nondisclosure agreement with Great Lakes Case & Cabinet Co., Inc. (GLCC) and may not be reproduced, disclosed or utilized in whole or in part without prior written authorization from GLCC.

PART NUMBER:
CMRX-52U24-X-1224

MATERIAL TYPE:

MATERIAL GAUGE:

FINISH: POWDER

DRAWN: CND DATE: 3/4/2020
 CHECKED & APP. DATE:

TITLE
52RU, 96.25"H x 24"D CABLE MANAGEMENT X RACK, VENDOR LEVEL ASSEMBLY

GREAT LAKES CASE & CABINET CO., INC.
 P.O. BOX 551 EDINBORO, PA 16412
 PHONE (814) 734-7303 FAX (814) 734-3907
 E-MAIL glcc@greatcabinets.com