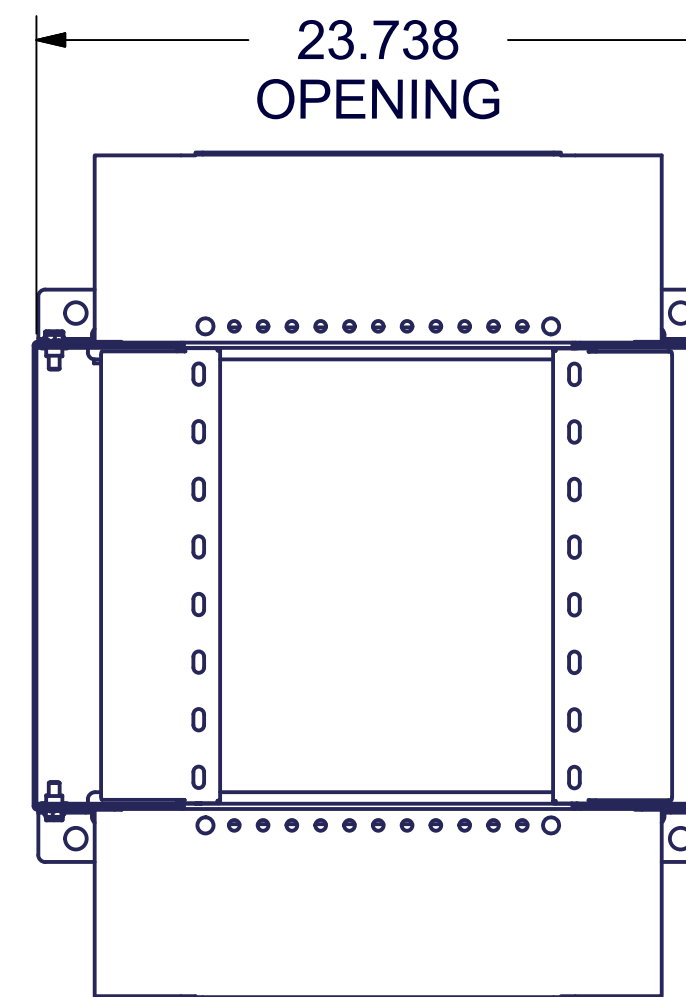
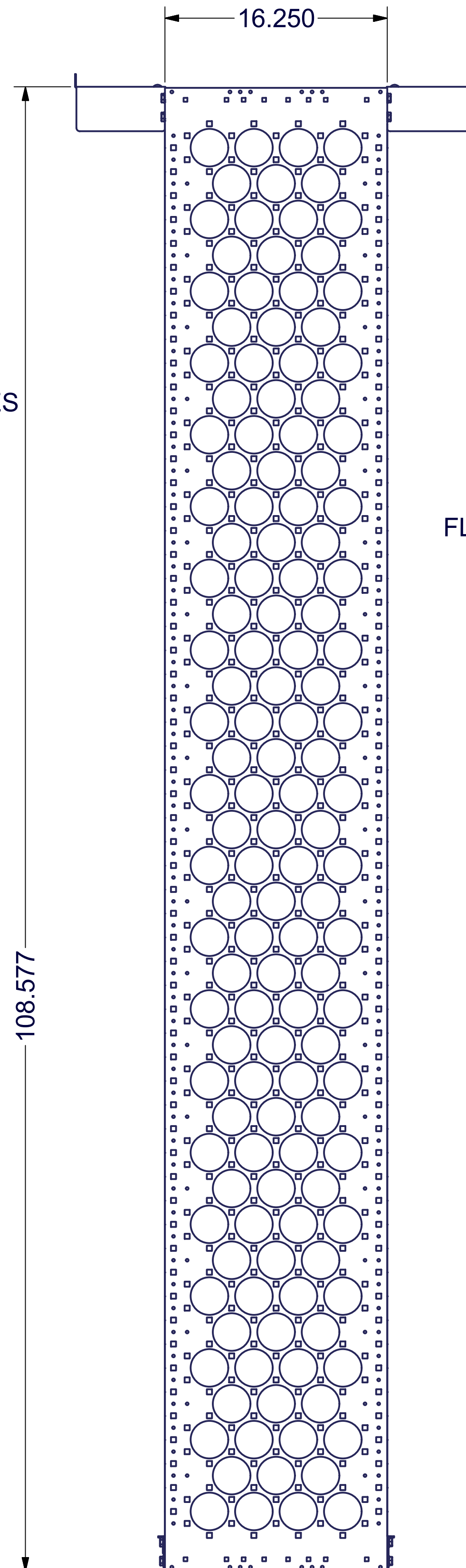
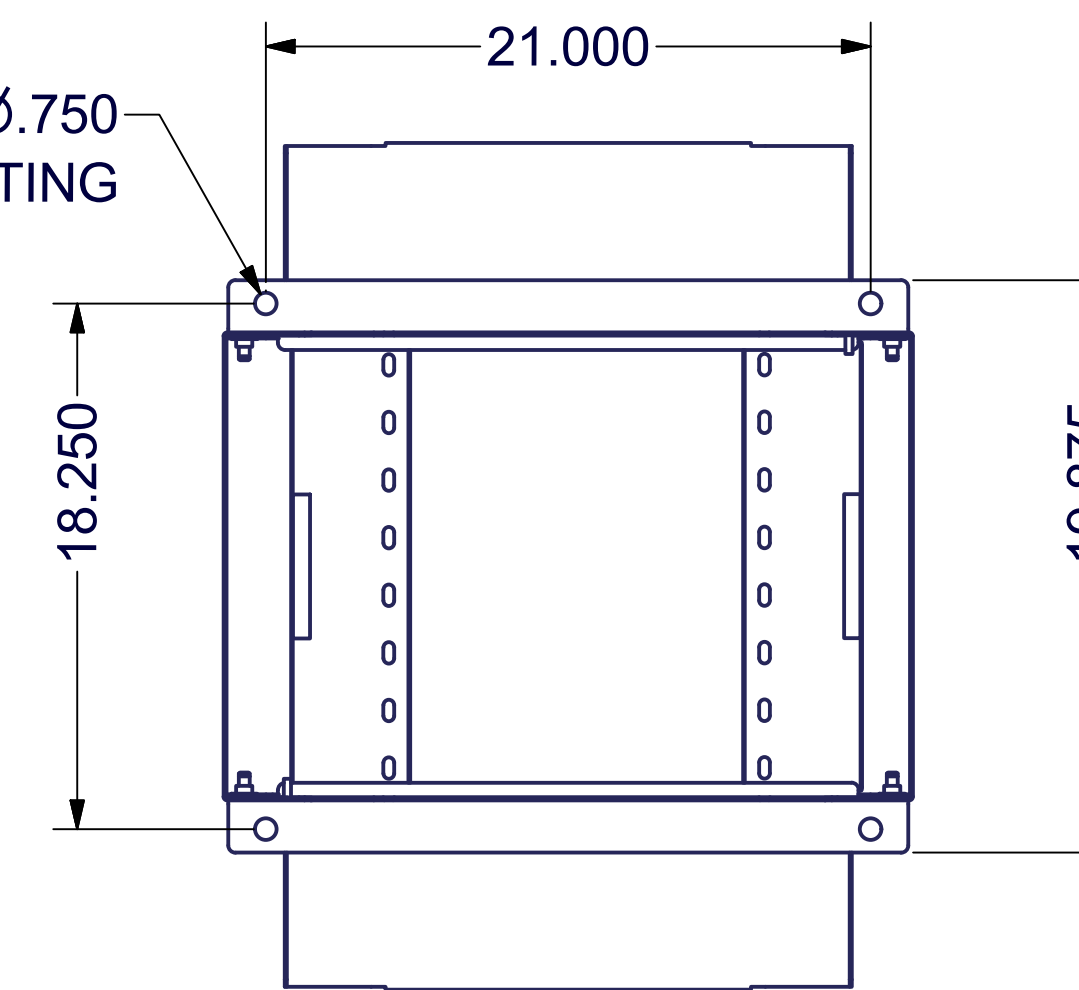


EQUIPMENT MOUNTING HOLES
#12-24 TAPPED (SHOWN)

102.750
59 RMU

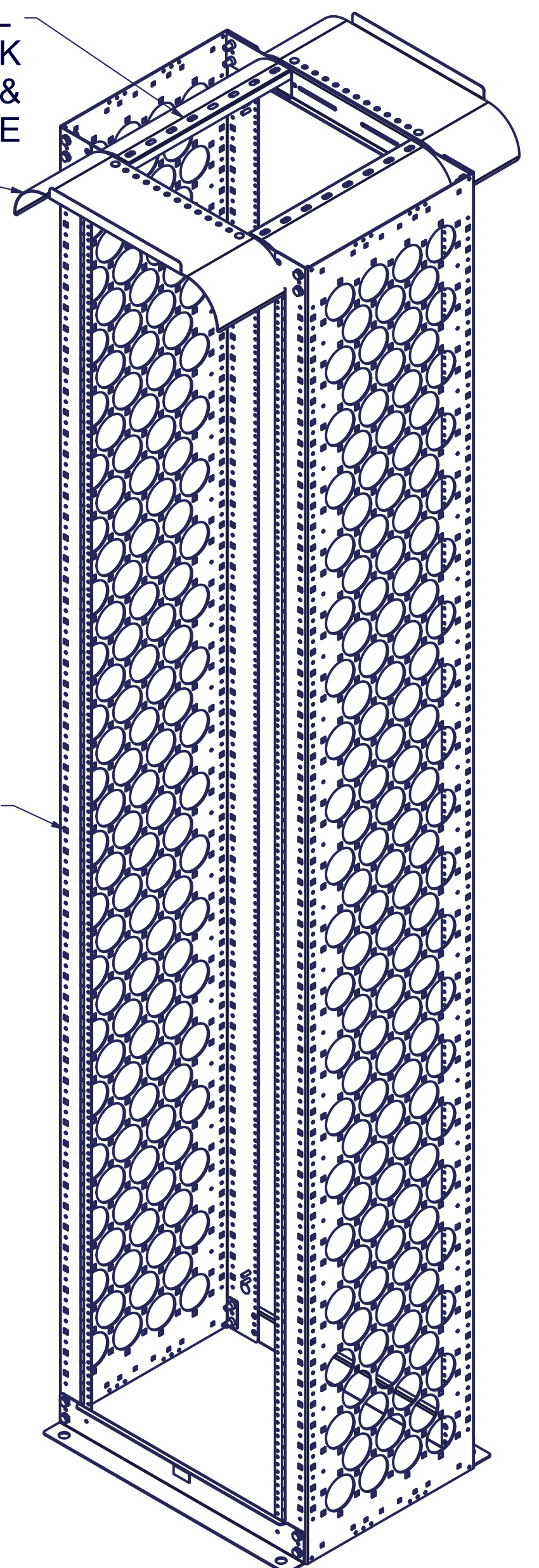


VIEW A-A
TOP VIEW



VIEW B-B
BOTTOM VIEW

(2) CABLE WATERFALL
ON INSIDE OF RACK
ADJUSTABLE &
REVERSIBLE
(2) FRONT AND REAR
CABLE WATERFALLS



#12-24 & 3/8" □
CABLE MANAGEMENT
PATTERN

SPECIFICATIONS:

DIMENSIONS : 108"H x 24"W @ 19EIA / 28"W@ 23EIA x 16" D: SHIPS FLAT UNASSEMBLED

RACK SPACES : 59 RMU w/ RMU INDICATORS, 19" EIA / 23"EIA : 310-E COMPLIANT

CERTIFICATIONS : UL 2416, RoHS II

RAILS RATED AT : 2500 lbs.

COLOR : DURABLE TEXTURED POWDER COATING

BOLT TOGETHER CONSTRUCTION :

VERTICAL CHANNEL RAILS , #12 GA. C.R.S.

TOP HORIZONTAL MEMBER, #12 GA. C.R.S.

BOTTOM HORIZONTAL FEET, #12 GA. C.R.S.

TOP WATERFALL HORIZONTAL SUPPORT, #14 GA. C.R.S.

(16) 3/8-16 x 3/4"L BOLTS AND NUTS

HARDWARE : PACKAGE OF QTY-50; #12-24 SCREWS, INCLUDED.

(2) PACKAGES OF QTY-10; CM-26 3.5" x 5" PLASTIC CABLE RINGS

EST. WEIGHT : N/A	INTERPRET DRAWING PER ASME Y14.5M-1994	<p>NOTICE: Use of this document is subject to a confidentiality and nondisclosure agreement with Great Lakes Case & Cabinet Co., Inc. (GLCC) and may not be reproduced, disclosed or utilized in whole or in part without prior written authorization from GLCC.</p>	PART NUMBER: CMRX-59U16-X-1224	TITLE 59RU, 108.5"H x 16.25"D CABLE MANAGEMENT X RACK, VENDOR LEVEL ASSEMBLY
	DIMENSIONAL LIMITS APPLY AFTER APPLICATION OF FINISH		MATERIAL TYPE:	<p>GREAT LAKES CASE & CABINET CO., INC. P.O. BOX 551 EDINBORO, PA 16412 PHONE (814) 734-7303 FAX (814) 734-3907 E-MAIL glcc@greatcabinets.com</p>
THIRD ANGLE PROJECTION	DRAWING NOT TO SCALE	MATERIAL GAUGE:	DWG NO:	
	TOLERANCE UNLESS OTHERWISE NOTED: ANGULAR +/- 1' .XXXX +/- .010 .XXX +/- .015 .XX +/- .030 .X FOR REF. ONLY	UNLESS OTHERWISE SPECIFIED ALL DIMENSIONS ARE IN INCHES	FINISH: POWDER	REV
			DRAWN: CND DATE: 3/4/2020	CHECKED & APP. DATE:
				SHEET: 1 OF 1