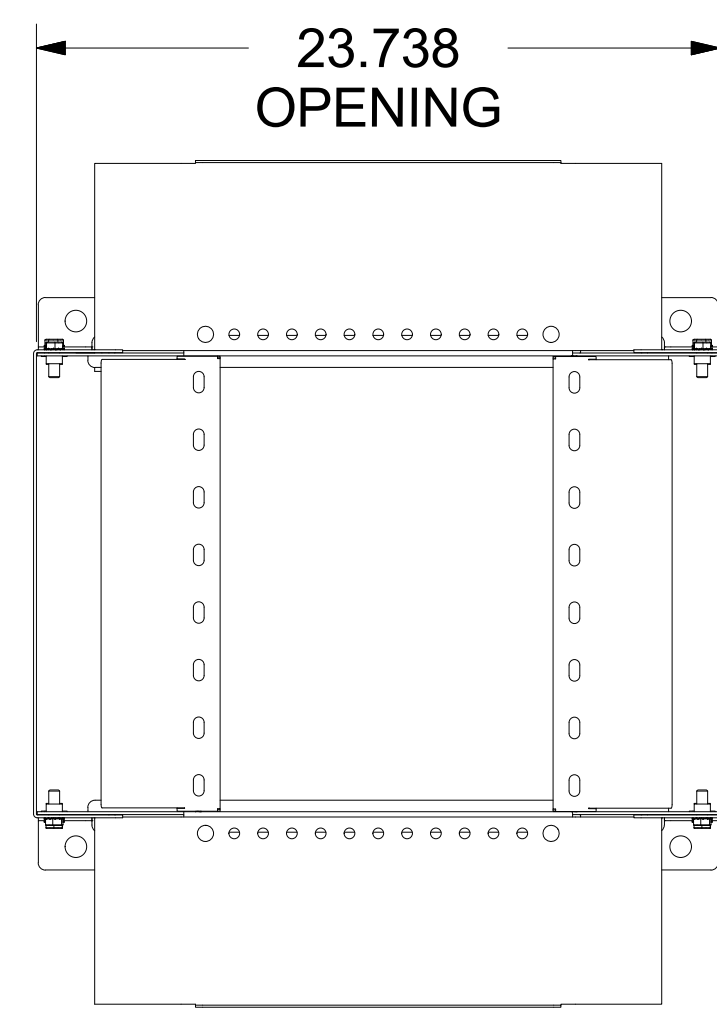
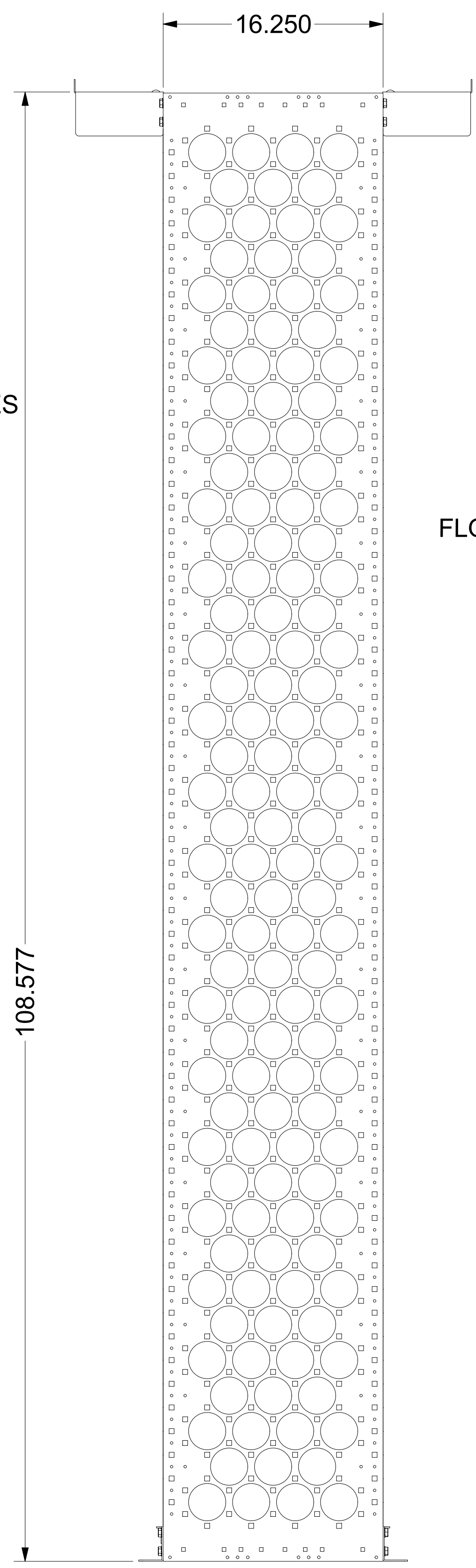
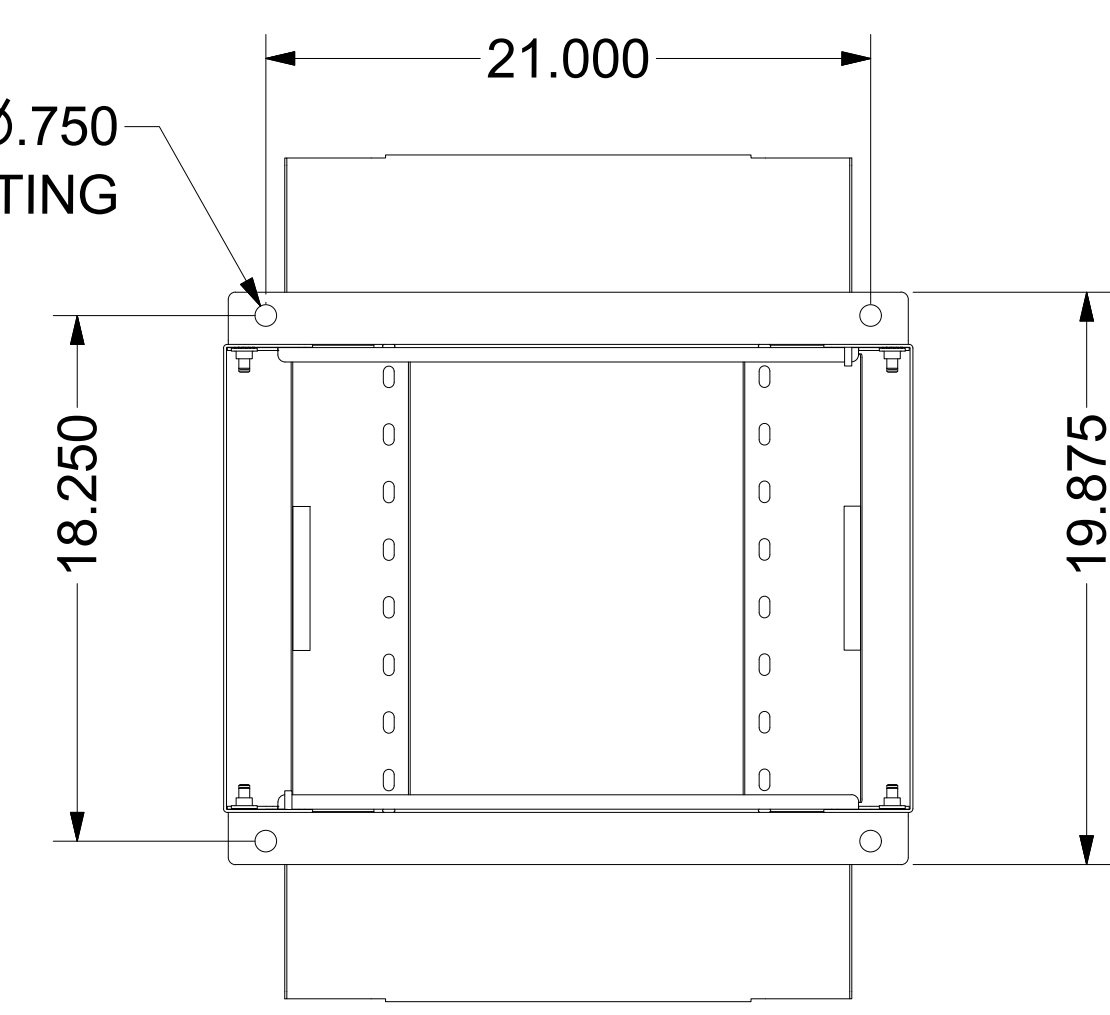


EQUIPMENT MOUNTING HOLES SQM6 (SHOWN)



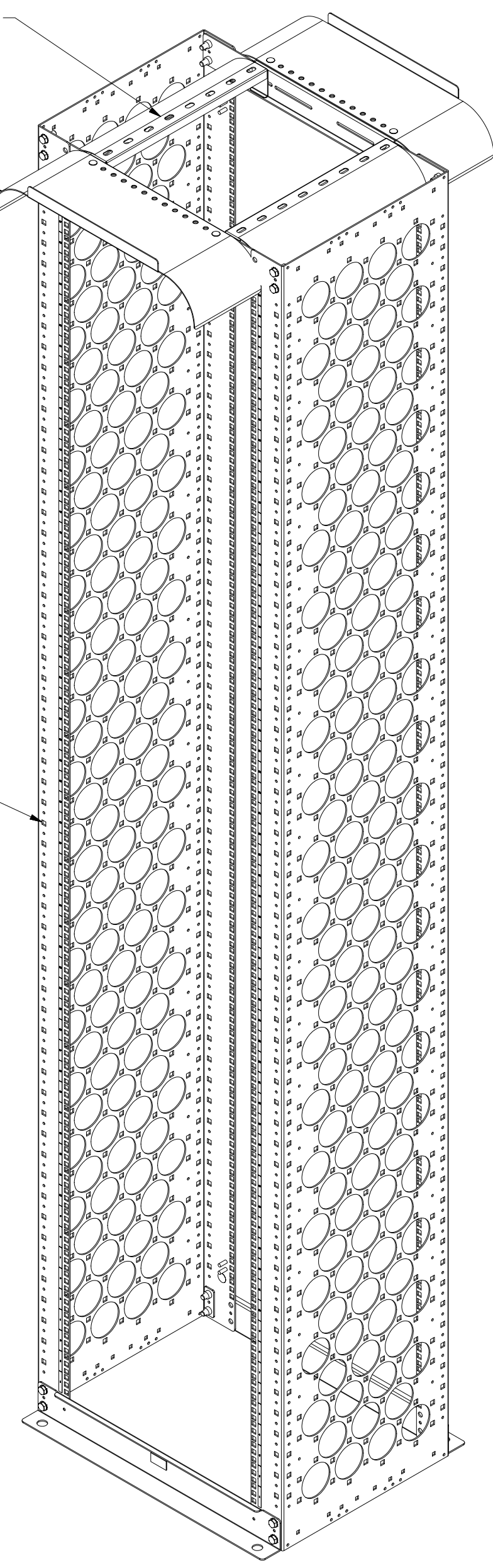
VIEW A-A
TOP VIEW



VIEW B-B
BOTTOM VIEW

(2) CABLE WATERFALL ON INSIDE OF RACK ADJUSTABLE & REVERSIBLE
(2) FRONT AND REAR CABLE WATERFALLS

#12-24 & 3/8" CABLE MANAGEMENT PATTERN



SPECIFICATIONS:

- DIMENSIONS :** 108"H x 24"W @ 19EIA / 28"W@ 23EIA x 16" D: SHIPS FLAT UNASSEMBLED
- RACK SPACES :** 59 RMU w/ RMU INDICATORS, 19" EIA / 23"EIA : 310-E COMPLIANT
- CERTIFICATIONS :** UL 2416, RoHS II
- RAILS RATED AT :** 2500 lbs.
- COLOR :** DURABLE TEXTURED POWDER COATING
- BOLT TOGETHER CONSTRUCTION :**
 - VERTICAL CHANNEL RAILS , #12 GA. C.R.S.
 - TOP HORIZONTAL MEMBER, #12 GA. C.R.S.
 - BOTTOM HORIZONTAL FEET, #12 GA. C.R.S.
 - TOP WATERFALL HORIZONTAL SUPPORT, #14 GA. C.R.S.
 - (16) 3/8-16 x 3/4"L BOLTS AND NUTS
- HARDWARE :** PACKAGE OF QTY-50; #12-24 SCREWS, INCLUDED.
- (2) PACKAGES OF QTY-10; CM-26 3.5" x 5" PLASTIC CABLE RINGS

EST. WEIGHT : N/A	INTERPRET DRAWING PER ASME Y14.5M-1994	NOTICE: Use of this document is subject to a confidentiality and nondisclosure agreement with Great Lakes Case & Cabinet Co., Inc. (GLCC) and may not be reproduced, disclosed or utilized in whole or in part without prior written authorization from GLCC.	PART NUMBER: CMRX-59U16-X-SQM6	TITLE 59RU, 108.5"H x 16.25"D CABLE MANAGEMENT X RACK, VENDOR LEVEL ASSEMBLY
	DIMENSIONAL LIMITS APPLY AFTER APPLICATION OF FINISH DRAWING NOT TO SCALE TOLERANCE UNLESS OTHERWISE NOTED: ANGULAR +/- 1' .XXXX +/- .010 .XXX +/- .015 .XX +/- .030 .X FOR REF. ONLY		MATERIAL TYPE: MATERIAL GAUGE: FINISH: POWDER	GREAT LAKES CASE & CABINET CO., INC. P.O. BOX 551 EDINBORO, PA 16412 PHONE (814) 734-7303 FAX (814) 734-3907 E-MAIL glcc@greatcabinets.com
THIRD ANGLE PROJECTION	UNLESS OTHERWISE SPECIFIED ALL DIMENSIONS ARE IN INCHES		DRAWN: CND CHECKED & APP. DATE	DWG NO: REV SHEET: 1 OF 1