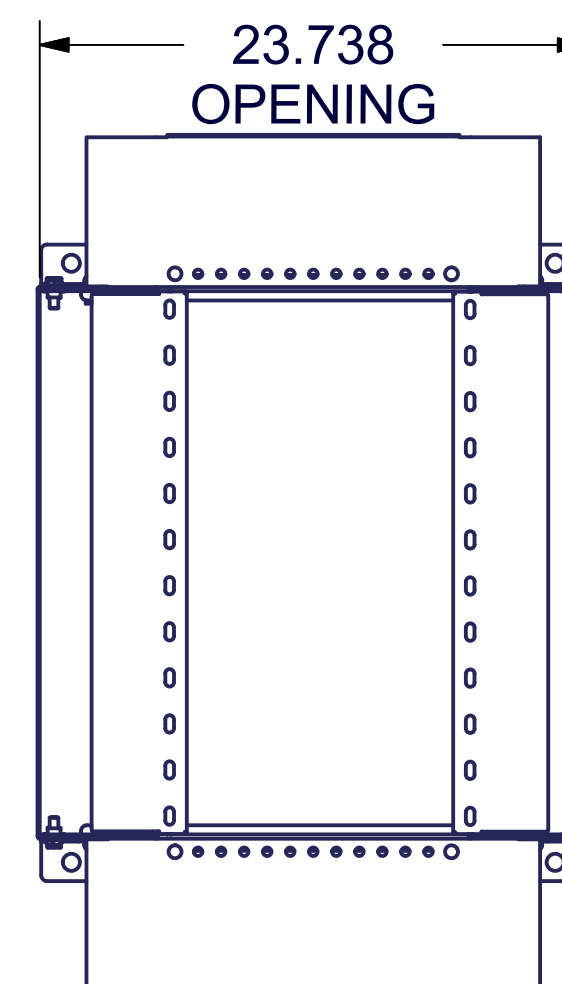
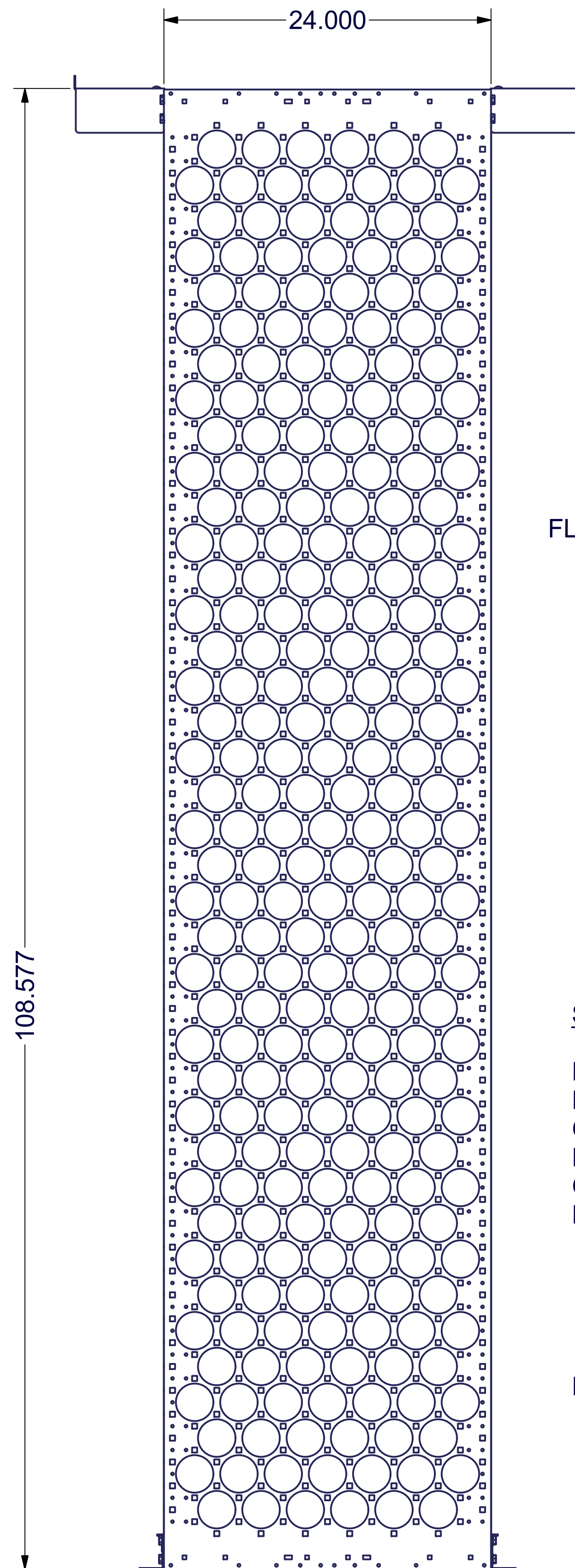
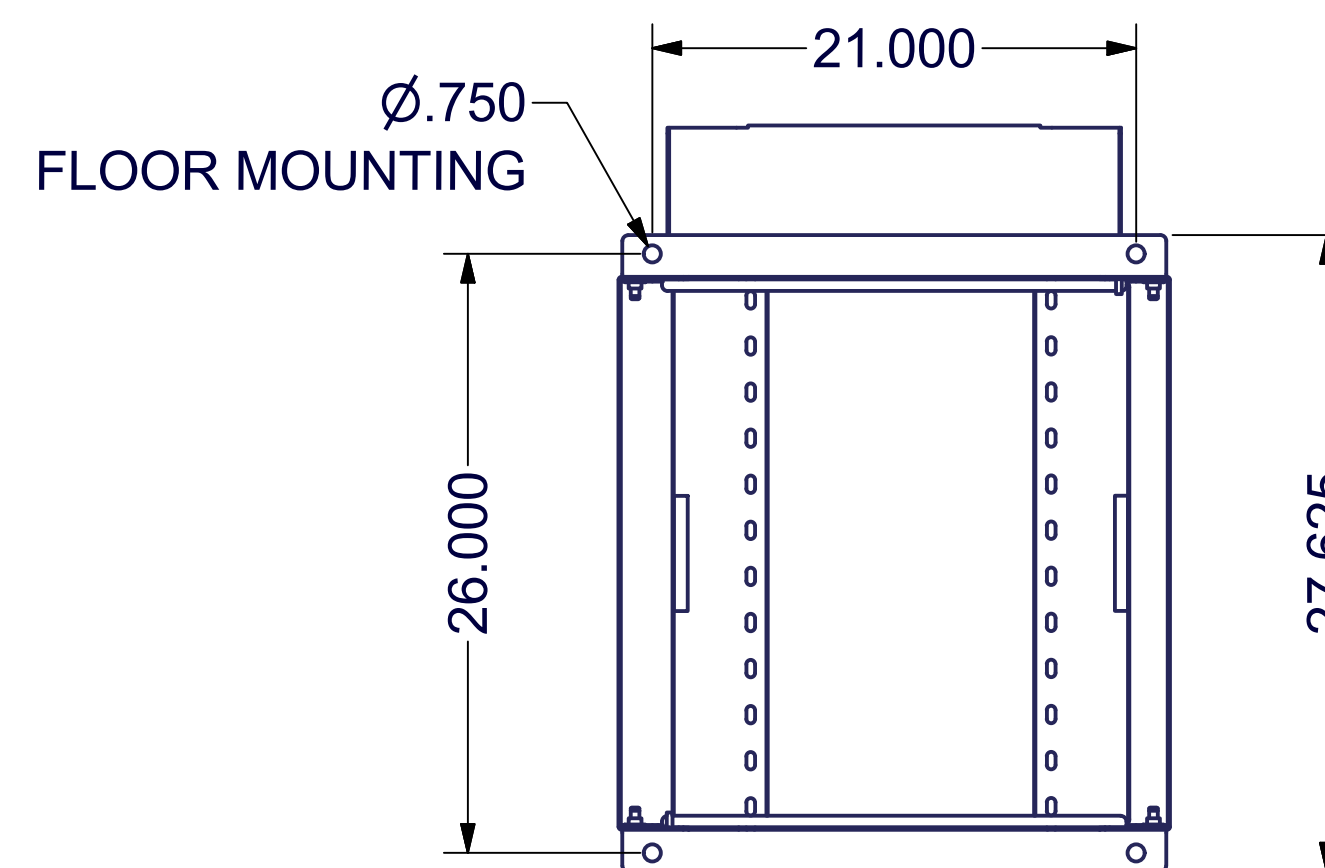


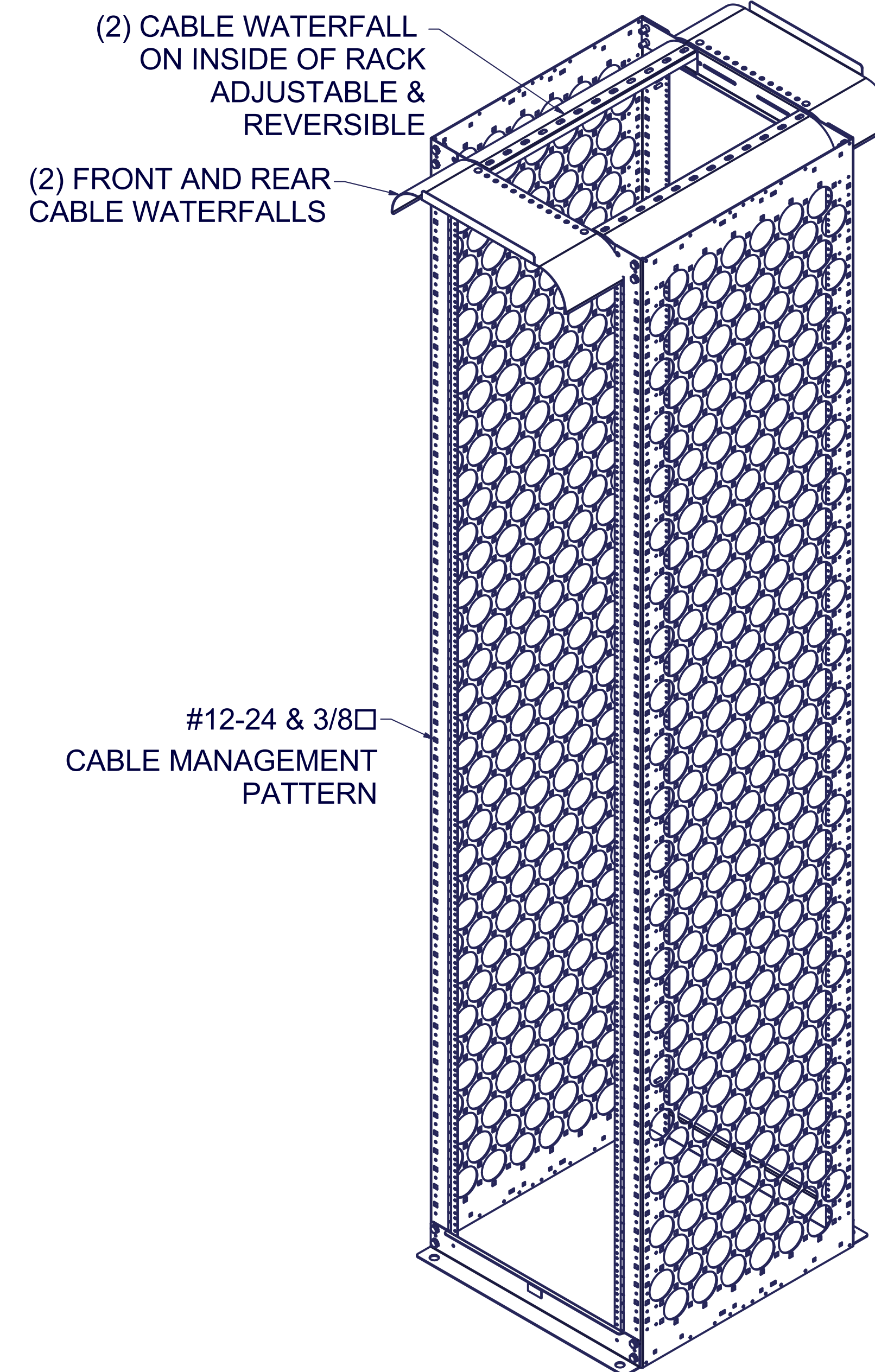
EQUIPMENT MOUNTING HOLES
#12-24 TAPPED (SHOWN)



VIEW A-A
TOP VIEW



VIEW B-B
BOTTOM VIEW



SPECIFICATIONS:

DIMENSIONS : 108"H x 24"W @ 19EIA / 28"W@ 23EIA x 24" D: SHIPS FLAT UNASSEMBLED

RACK SPACES : 59 RMU w/ RMU INDICATORS, 19" EIA / 23"EIA : 310-E COMPLIANT

CERTIFICATIONS : UL 2416, RoHS II

RAILS RATED AT : 2500 lbs.

COLOR : DURABLE TEXTURED POWDER COATING

BOLT TOGETHER CONSTRUCTION :

VERTICAL CHANNEL RAILS , #12 GA. C.R.S.

TOP HORIZONTAL MEMBER, #12 GA. C.R.S.

BOTTOM HORIZONTAL FEET, #12 GA. C.R.S.

TOP WATERFALL HORIZONTAL SUPPORT, #14 GA. C.R.S.

(16) 3/8-16 x 3/4"L BOLTS AND NUTS

HARDWARE : PACKAGE OF QTY-50; #12-24 SCREWS, INCLUDED.

(2) PACKAGES OF QTY-10; CM-26 3.5" x 5" PLASTIC CABLE RINGS

EST. WEIGHT :
N/A

THIRD ANGLE
PROJECTION

INTERPRET DRAWING PER ASME Y14.5M-1994
DIMENSIONAL LIMITS APPLY
AFTER APPLICATION OF FINISH
DRAWING NOT TO SCALE
TOLERANCE UNLESS OTHERWISE NOTED:
ANGULAR +/- 1'
.XXXX +/- .010
.XXX +/- .015
.XX +/- .030
.X FOR REF. ONLY

UNLESS OTHERWISE SPECIFIED
ALL DIMENSIONS ARE IN INCHES

NOTICE:

Use of this document is subject to a confidentiality and nondisclosure agreement with Great Lakes Case & Cabinet Co., Inc. (GLCC) and may not be reproduced, disclosed or utilized in whole or in part without prior written authorization from GLCC.

PART NUMBER:
CMRX-59U24-X-1224
MATERIAL TYPE:
MATERIAL GAUGE:
FINISH: POWDER
DRAWN: DATE: 3/4/2020
CND: DATE:
CHECKED & APP.:

TITLE
59RU, 108.5"H x 24"D CABLE MANAGEMENT X RACK, VENDOR LEVEL ASSEMBLY
GREAT LAKES CASE & CABINET CO., INC.
P.O. BOX 551 EDINBORO, PA 16412
PHONE (814) 734-7303 FAX (814) 734-3907
E-MAIL glcc@greatcabinets.com

DWG NO: REV SHEET: 1 OF 1