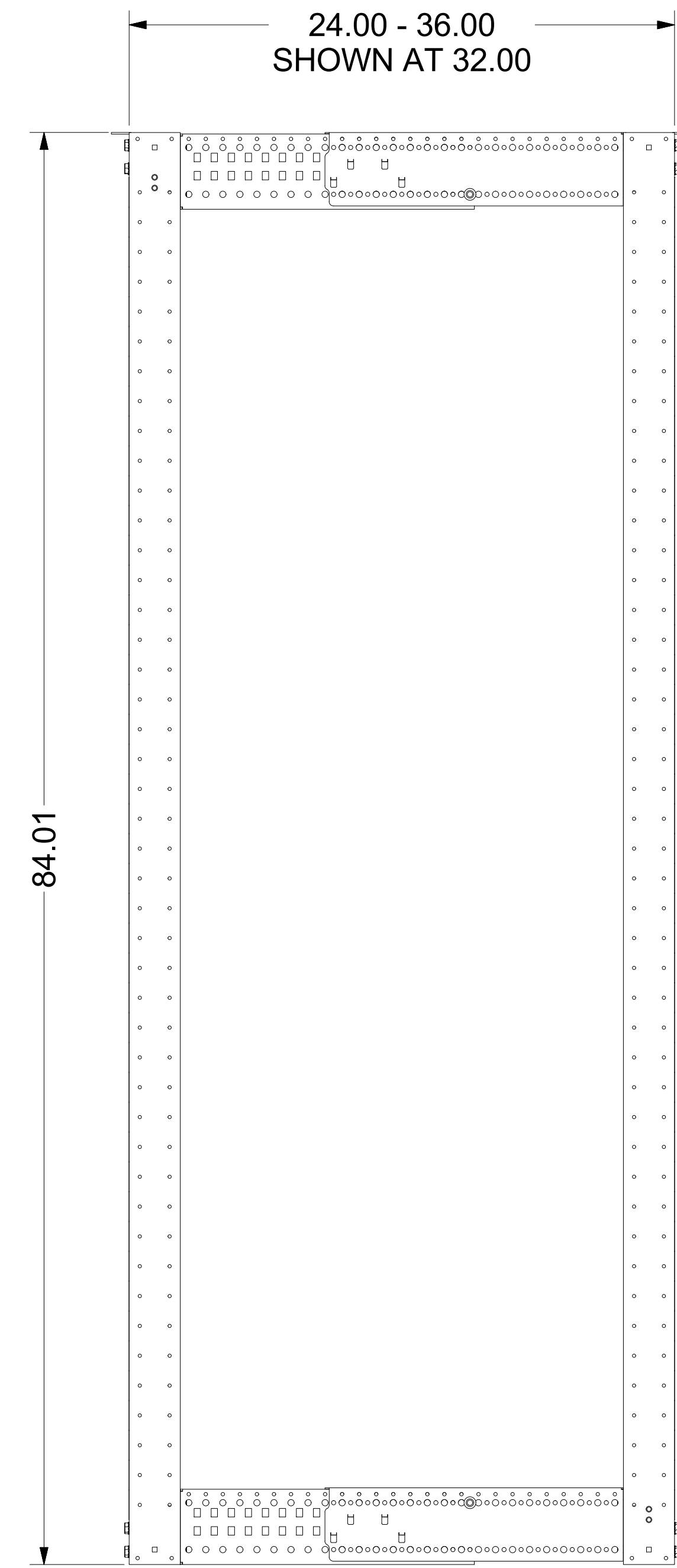
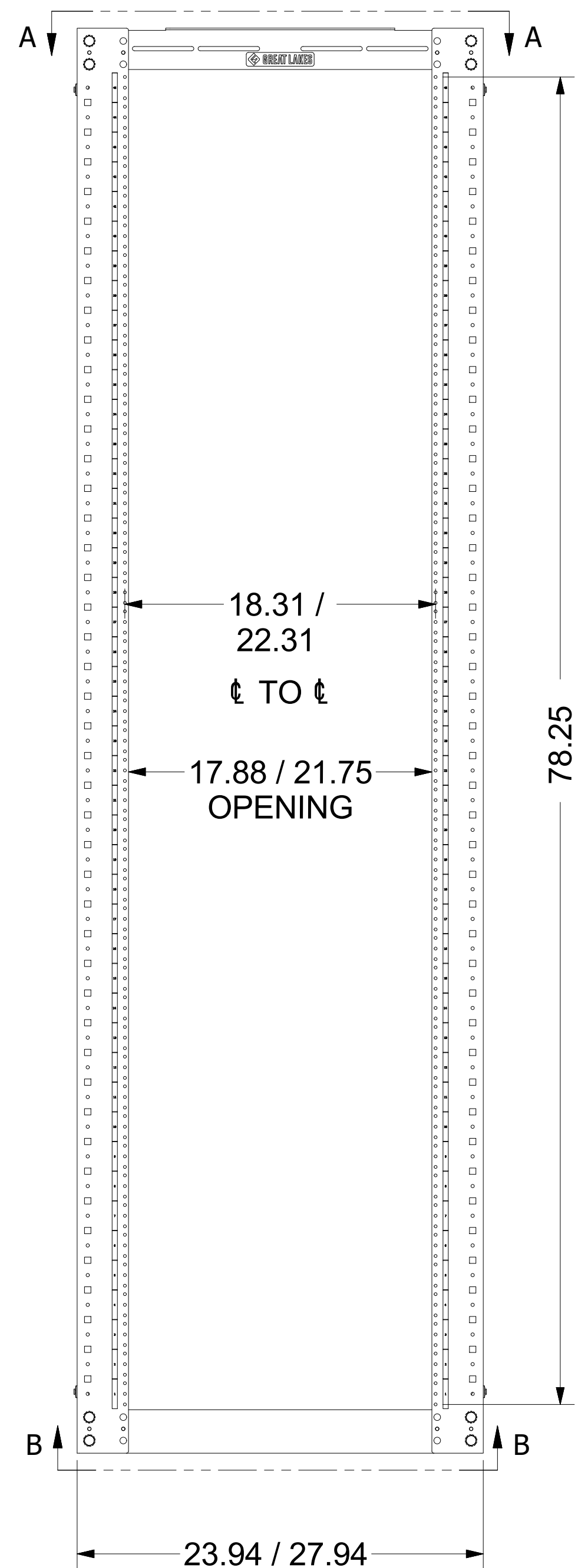
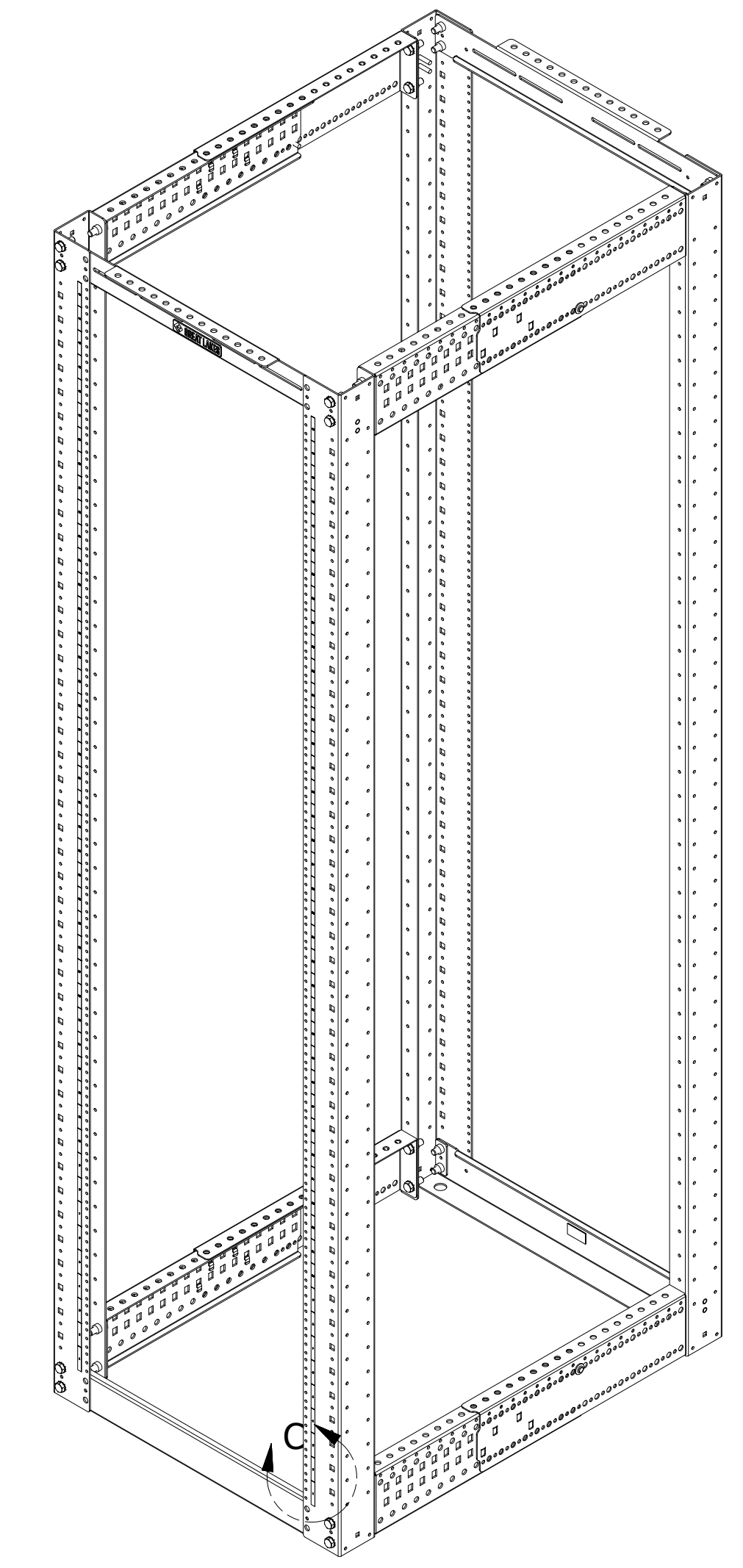
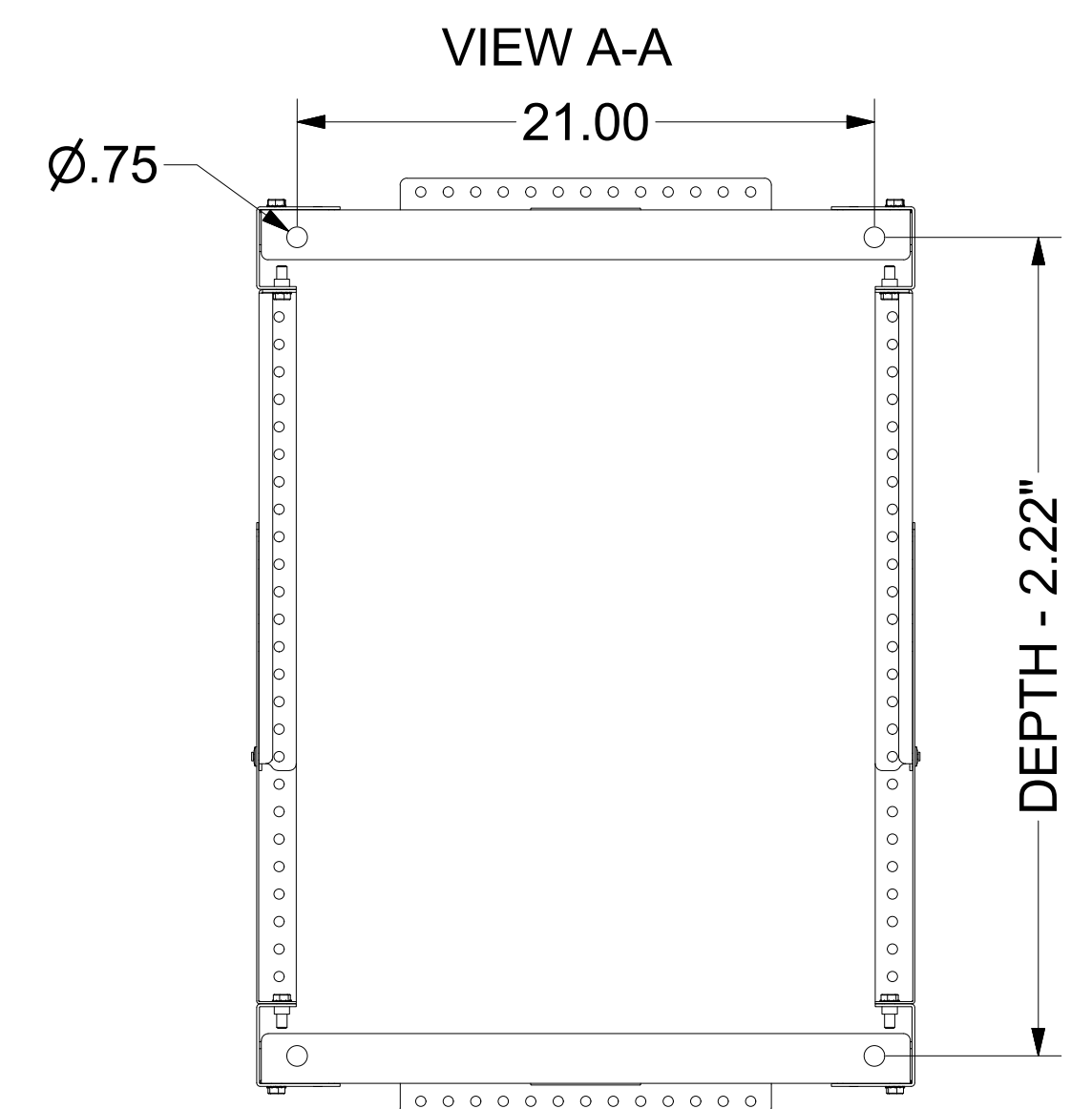
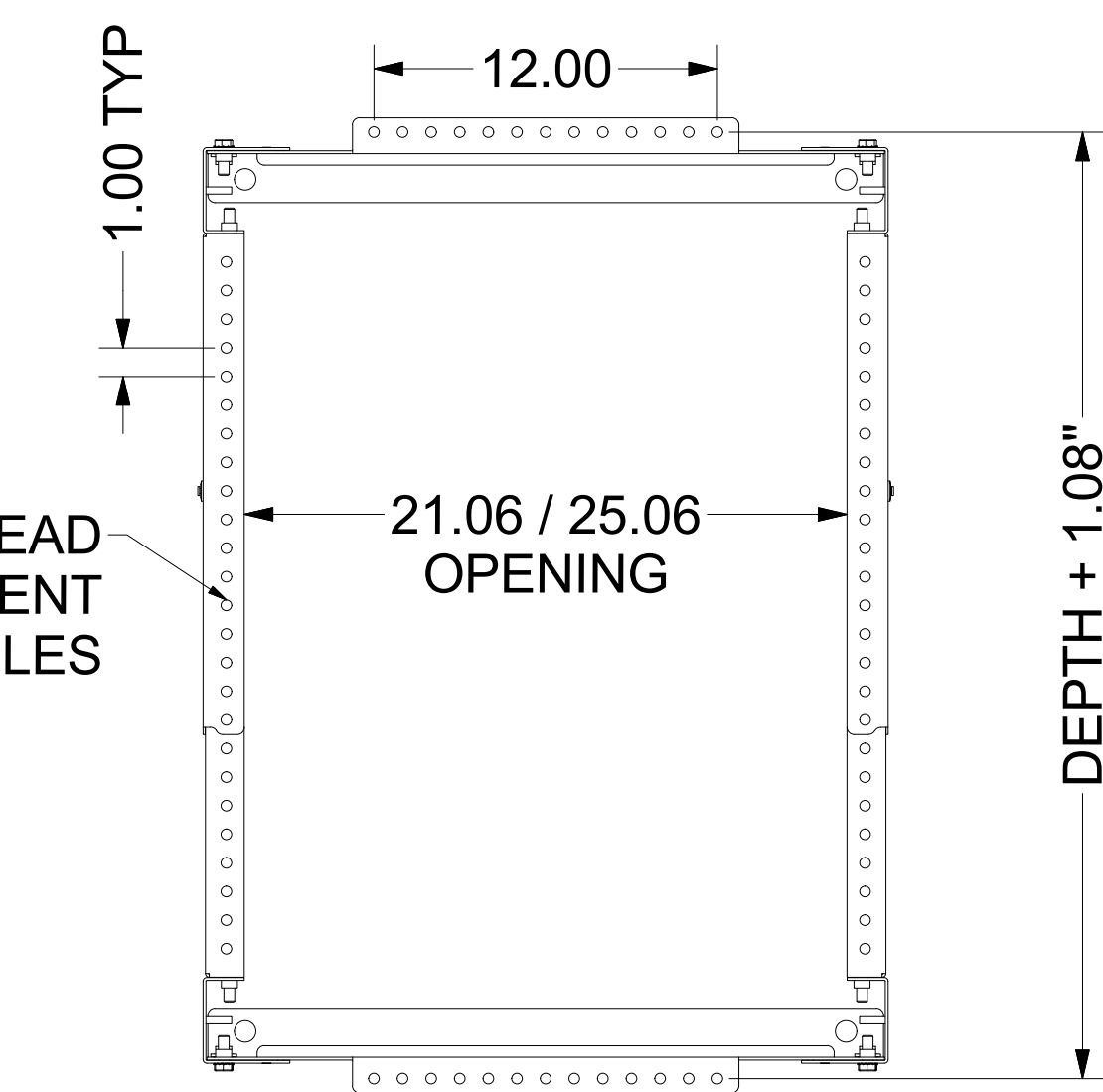


EQUIPMENT MOUNTING HOLES - 12-24 TAPPED

DETAIL C



0.38 TYP OVERHEAD CABLE MANAGEMENT HOLES

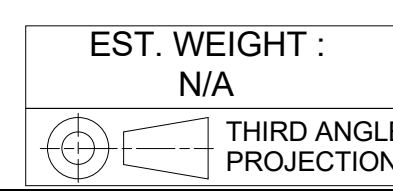


SPECIFICATIONS:

- DIMENSIONS :** 84" H x 24/28" W x 24-36" D - SHIPS FLAT UNASSEMBLED
- RACK SPACES :** 45 RU 19" EIA 310-E COMPLIANT, RMU INDICATORS INCLUDED
- CERTIFICATIONS :** UL 2416, RoHS II
- RAILS RATED AT :** 2500 lbs.
- COLOR :** DURABLE TEXTURED POWDER COATING BLACK OR WHITE
- BOLT TOGETHER CONSTRUCTION :**
 - VERTICAL RAILS , #12 GA. C.R.S.
 - BOTTOM HORIZONTAL FEET, #12 GA. C.R.S.
 - TOP HORIZONTAL SUPPORT, #12 GA. C.R.S.
 - VARIABLE DEPTH SUPPORTS, #14 & #12 GA. C.R.S.
 - (32) 3/8-16 x 1" LG BOLTS
- HARDWARE INCLUDED :** PACKAGE OF QTY-50; M6 CAGE NUTS & SCREWS
- OR - PACKAGE OF QTY-50 #12-24 SCREWS

RACK CAN BE ASSEMBLED AT DEPTHS RANGING FROM 24.00" TO 36.00", AT 1" INCREMENTS

RACK CAN BE ASSEMBLED FOR 19" OR 23" EIA EQUIPMENT



INTERPRET DRAWING PER ASME Y14.5M-1994
DIMENSIONAL LIMITS APPLY AFTER APPLICATION OF FINISH
DRAWING NOT TO SCALE
TOLERANCE UNLESS OTHERWISE NOTED:
ANGULAR +/- 1°
.XXXX +/- .010
.XXX +/- .015
.XX +/- .030
.X FOR REF. ONLY
UNLESS OTHERWISE SPECIFIED ALL DIMENSIONS ARE IN INCHES

NOTICE:
Use of this document is subject to a confidentiality and nondisclosure agreement with Great Lakes Data Racks & Cabinets and may not be reproduced, disclosed or utilized in whole or in part without prior written authorization from Great Lakes.

PART NUMBER: VRX-45U2436-X-1224
MATERIAL TYPE:
MATERIAL GAUGE:
FINISH:
DRAWN DATE CAIUSD 5/13/2020
CHECKED & APP. DATE

TITLE 4 POST VARIABLE DEPTH RACK, 45 RMU, 12-24 TAPPED, 24-36" DEEP, 19/23 WIDE EIA TOP LEVEL ASSEMBLY	
GREAT LAKES DATA RACKS & CABINETS P.O. BOX 551 EDINBORO, PA 16412 PHONE (814) 734-7303 FAX (814) 734-3907 E-MAIL info@greatcabinets.com	
DWG NO:	REV
	SHEET: 1 OF 1