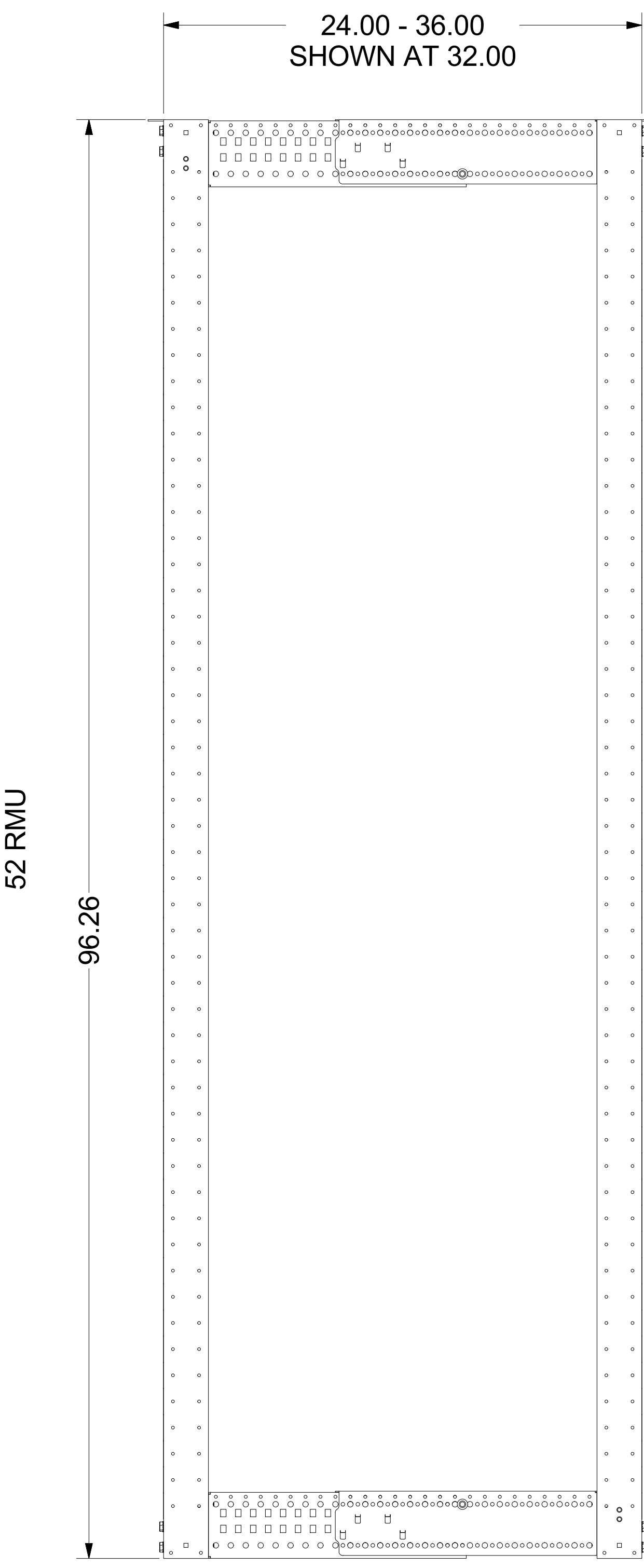
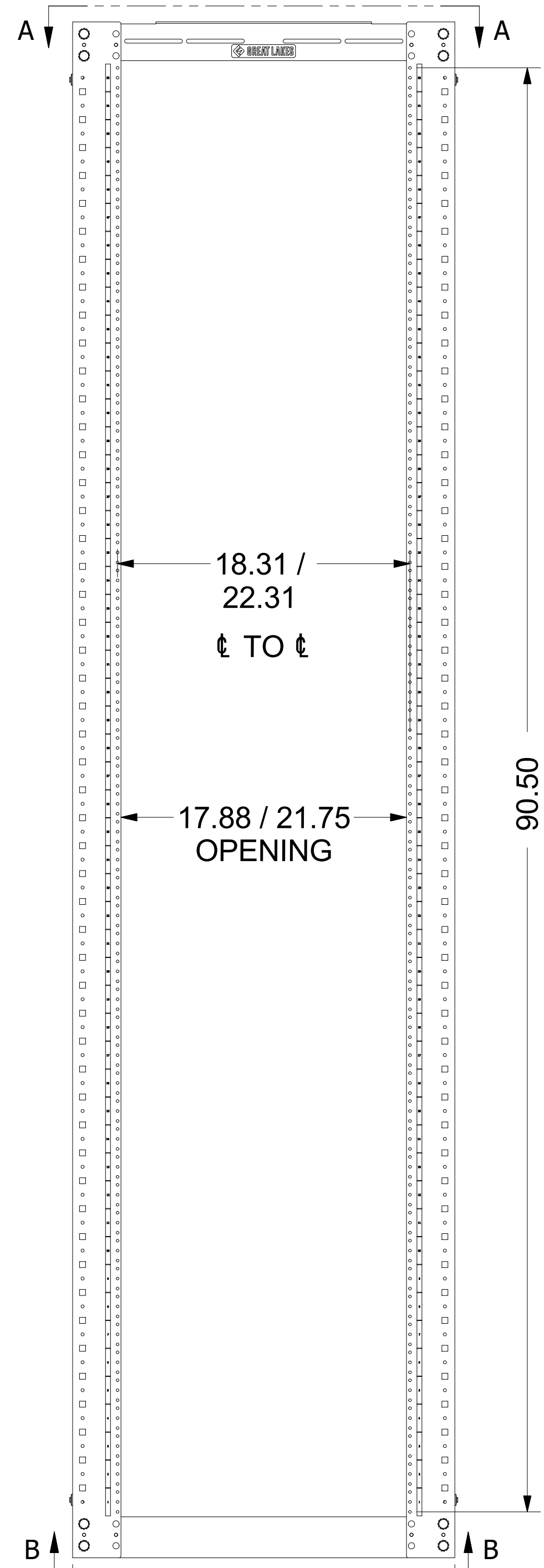


EQUIPMENT MOUNTING HOLES - 12-24 TAPPED

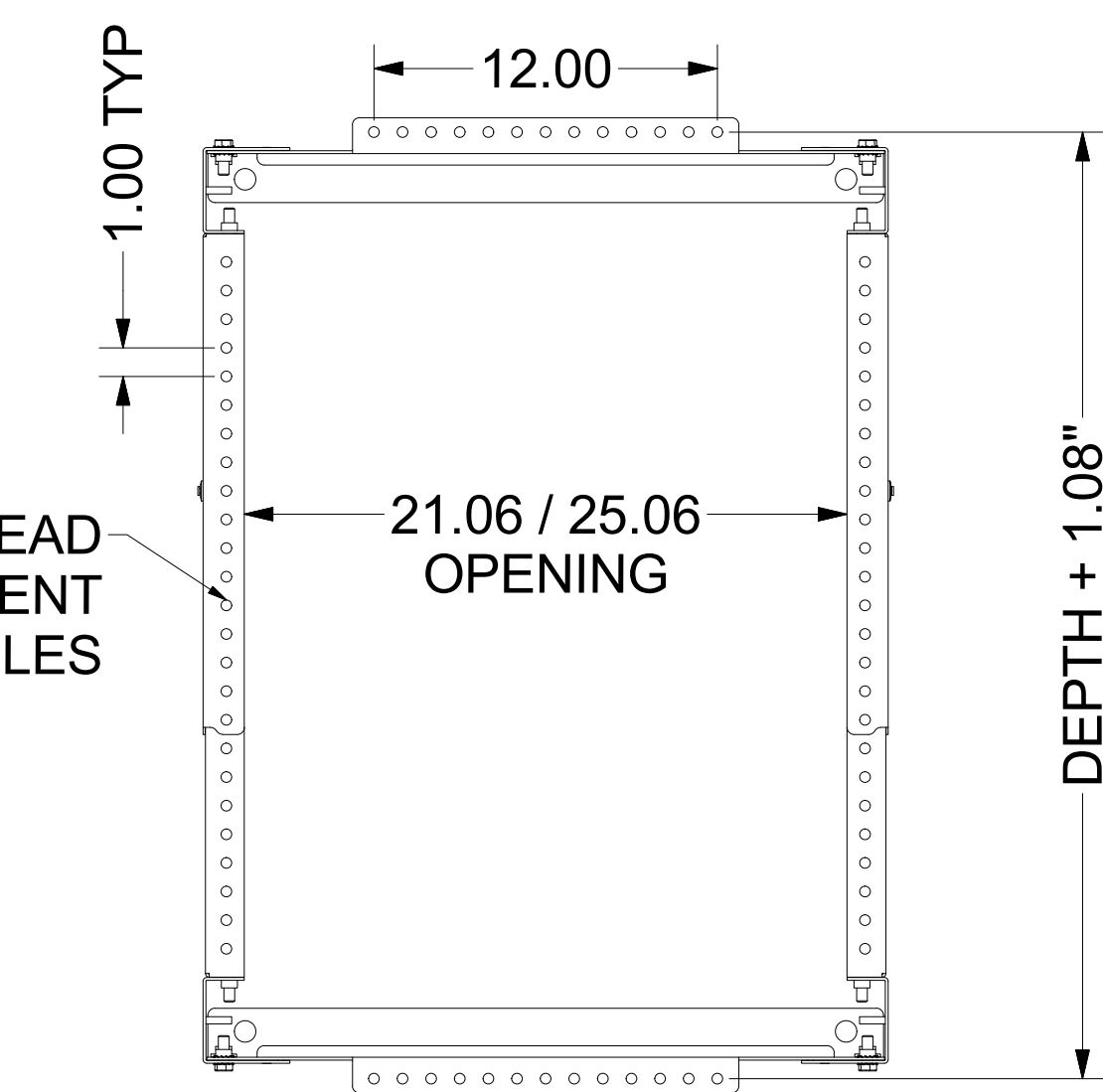
DETAIL C



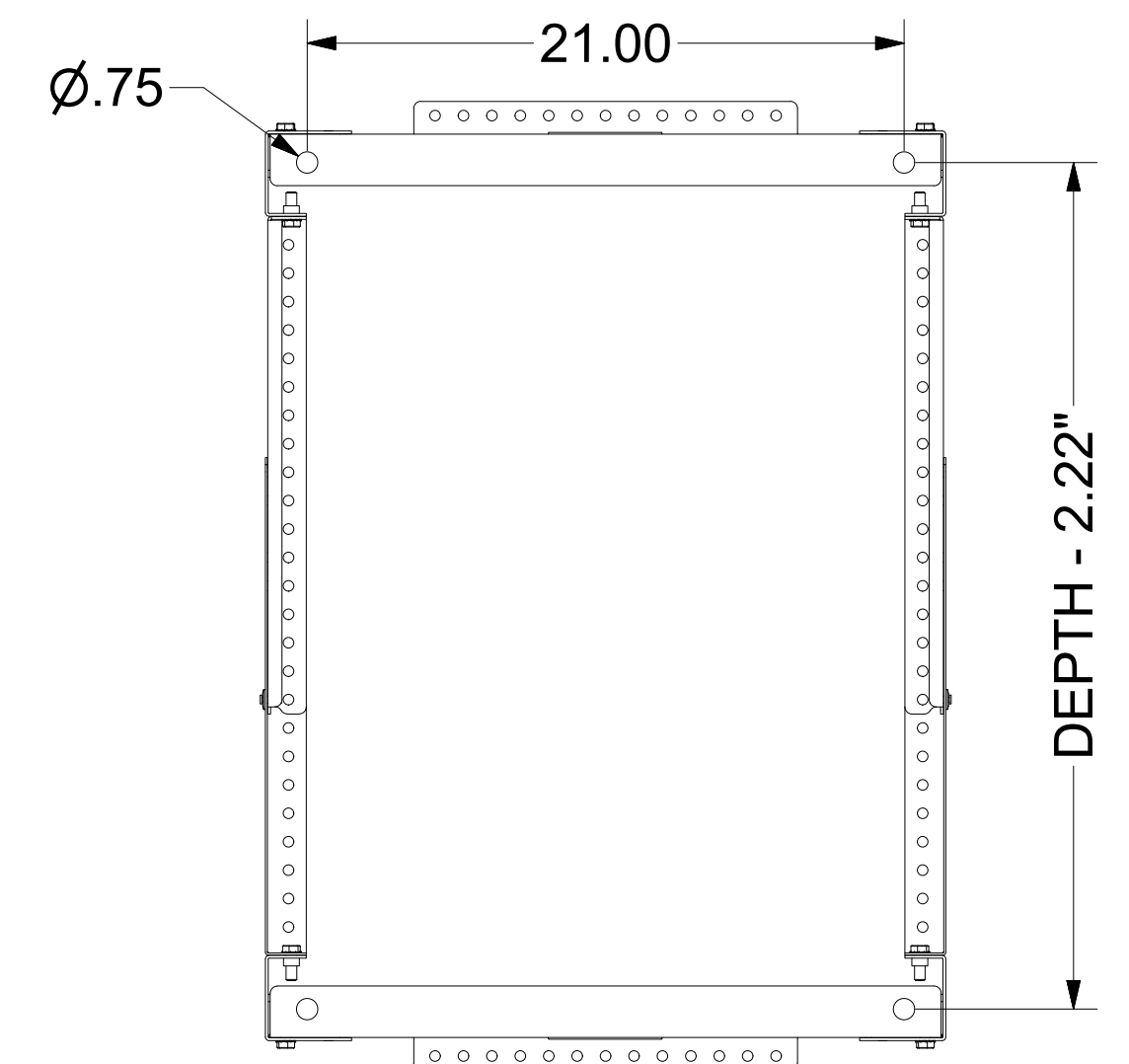
RACK CAN BE ASSEMBLED AT DEPTHS RANGING FROM 24.00" TO 36.00", AT 1" INCREMENTS

RACK CAN BE ASSEMBLED FOR 19" OR 23" EIA EQUIPMENT

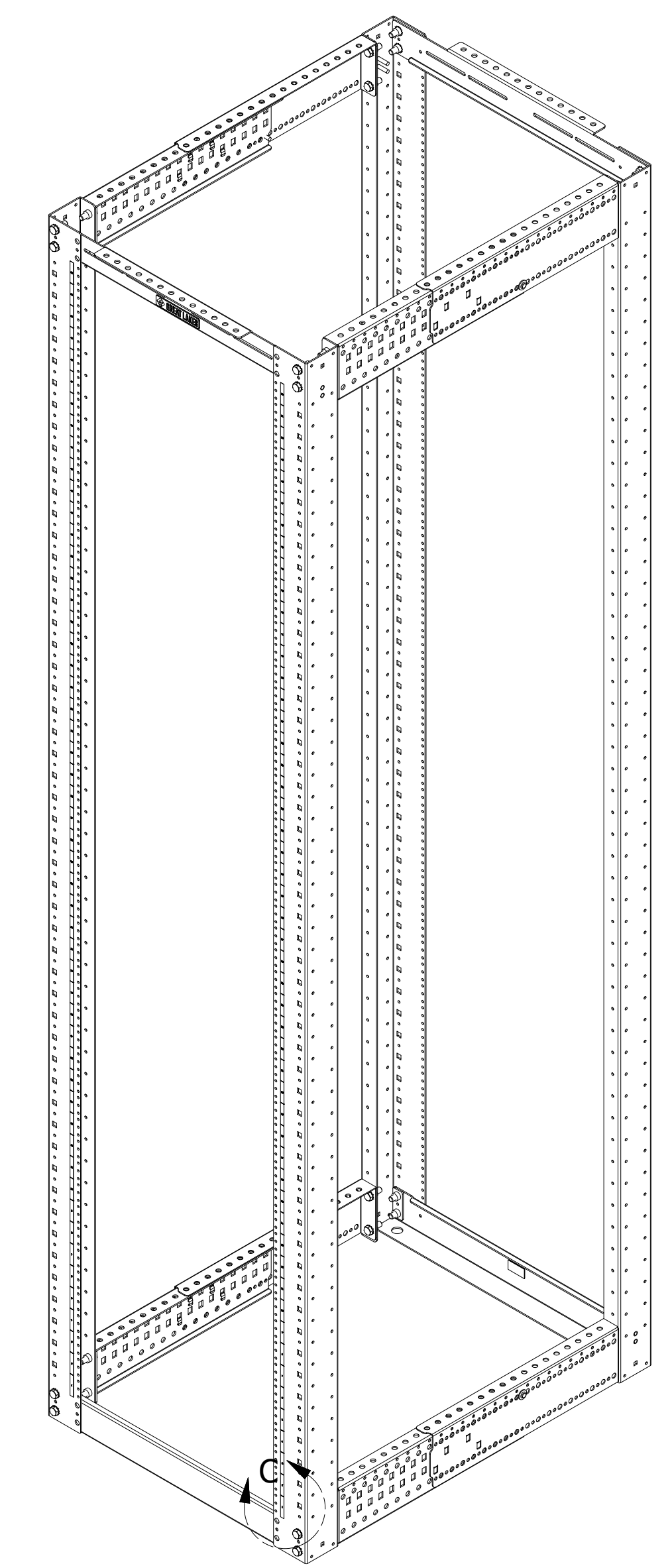
0.38 TYP OVERHEAD CABLE MANAGEMENT HOLES



VIEW A-A



VIEW B-B



SPECIFICATIONS:

- DIMENSIONS :** 96.25" H x 24/28" W x 24-36" D - SHIPS FLAT UNASSEMBLED
- RACK SPACES :** 52 RU 19" EIA 310-E COMPLIANT, RMU INDICATORS INCLUDED
- CERTIFICATIONS :** UL 2416, RoHS II
- RAILS RATED AT :** 2500 lbs.
- COLOR :** DURABLE TEXTURED POWDER COATING BLACK OR WHITE
- BOLT TOGETHER CONSTRUCTION :**
 - VERTICAL RAILS , #12 GA. C.R.S.
 - BOTTOM HORIZONTAL FEET, #12 GA. C.R.S.
 - TOP HORIZONTAL SUPPORT, #12 GA. C.R.S.
 - VARIABLE DEPTH SUPPORTS, #14 & #12 GA. C.R.S.
 - (32) 3/8-16 x 1" LG BOLTS
- HARDWARE INCLUDED :** PACKAGE OF QTY-50; M6 CAGE NUTS & SCREWS - OR - PACKAGE OF QTY-50 #12-24 SCREWS

NOTICE:

Use of this document is subject to a confidentiality and nondisclosure agreement with Great Lakes Data Racks & Cabinets and may not be reproduced, disclosed or utilized in whole or in part without prior written authorization from Great Lakes.

INTERPRET DRAWING PER ASME Y14.5M-1994	
DIMENSIONAL LIMITS APPLY AFTER APPLICATION OF FINISH	
DRAWING NOT TO SCALE	
TOLERANCE UNLESS OTHERWISE NOTED:	
ANGULAR +/-	1°
.XXXX +/-	.010
.XXX +/-	.015
.XX +/-	.030
.X FOR REF.	ONLY
UNLESS OTHERWISE SPECIFIED ALL DIMENSIONS ARE IN INCHES	

EST. WEIGHT :	N/A
THIRD ANGLE PROJECTION	

PART NUMBER:	VRX-52U2436-X-1224
MATERIAL TYPE:	
MATERIAL GAUGE:	
FINISH:	
DRAWN	DATE
CAIUSD	5/13/2020
CHECKED & APP.	DATE

TITLE 4 POST VARIABLE DEPTH RACK, 52 RMU, 12-24 TAPPED, 24-36" DEEP, 19/23 WIDE EIA ASSEMBLY	
GREAT LAKES DATA RACKS & CABINETS P.O. BOX 551 EDINBORO, PA 16412 PHONE (814) 734-7303 FAX (814) 734-3907 E-MAIL info@greatcabinets.com	
DWG NO:	REV
SHEET: 1 OF 1	