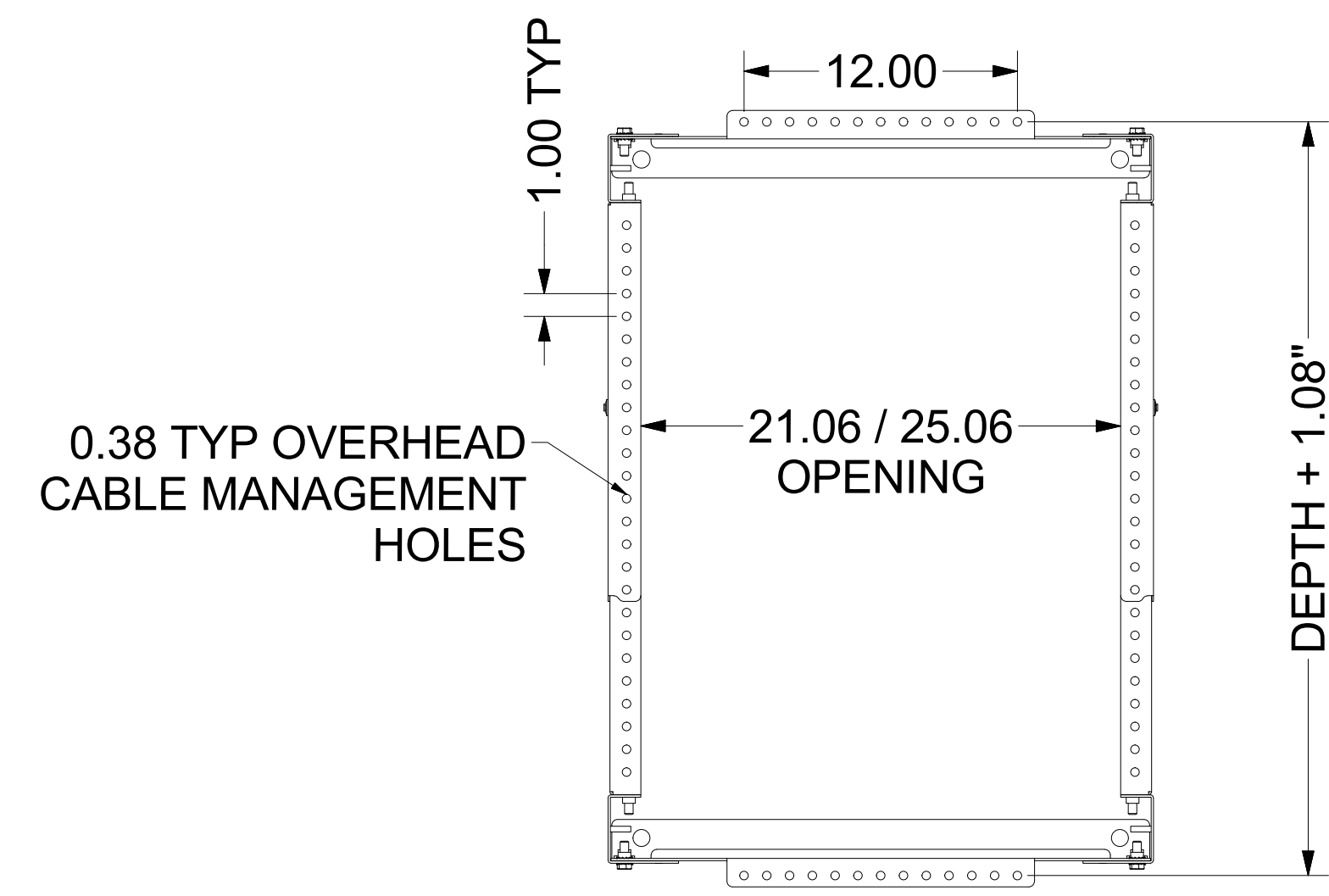
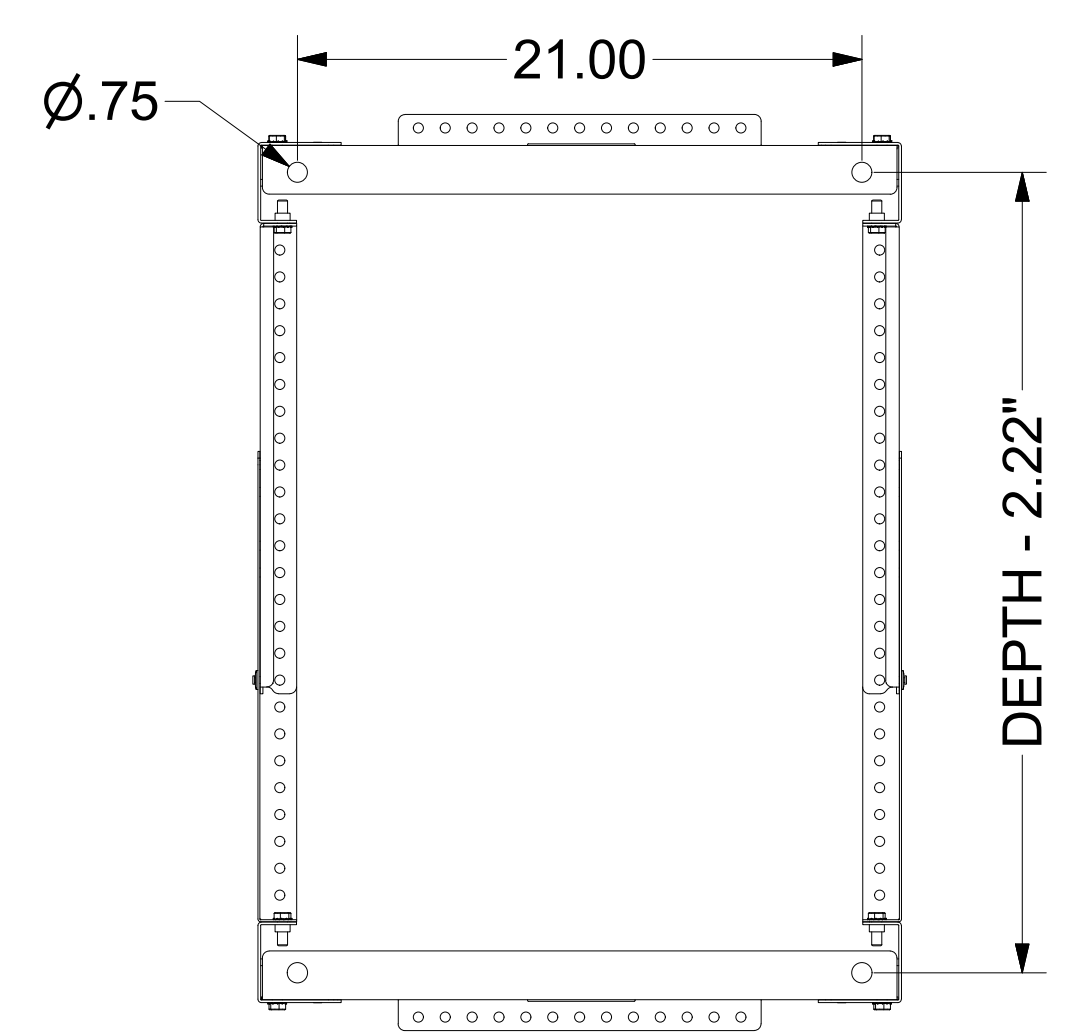


RACK CAN BE ASSEMBLED AT DEPTHS RANGING FROM 24.00" TO 36.00", AT 1" INCREMENTS

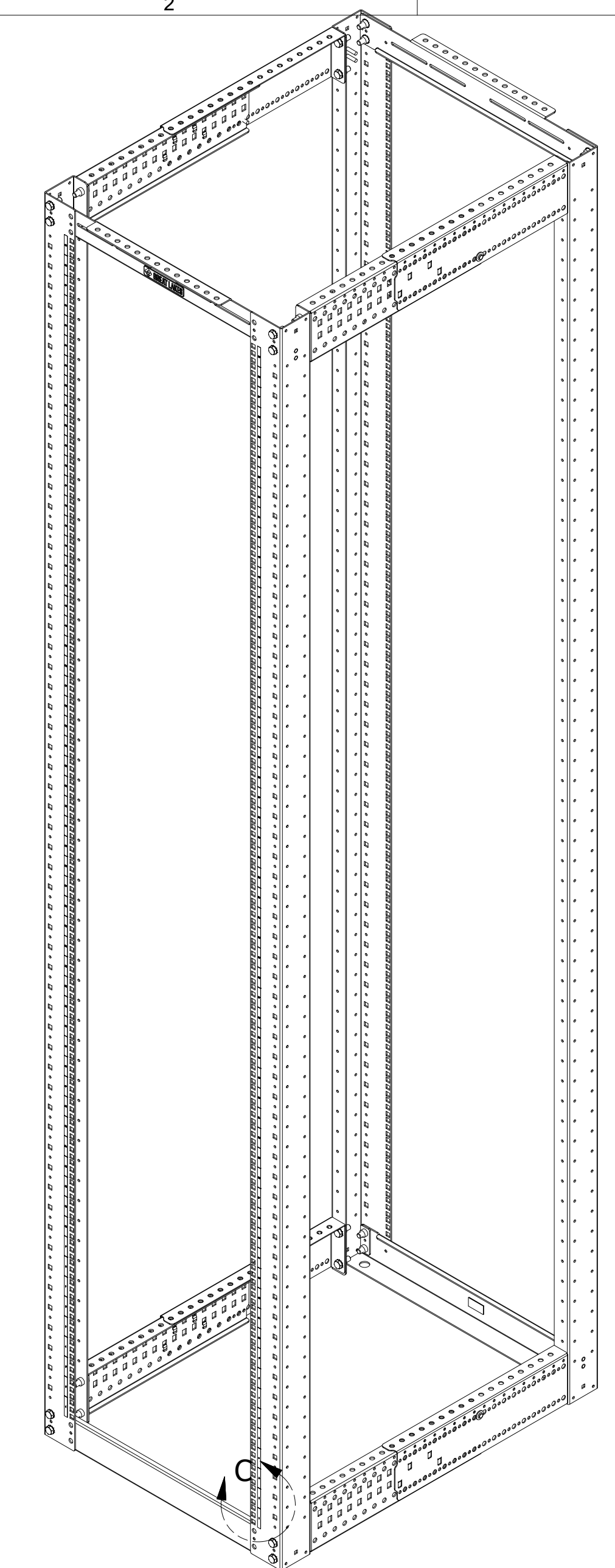
RACK CAN BE ASSEMBLED FOR 19" OR 23" EIA EQUIPMENT



VIEW A-A



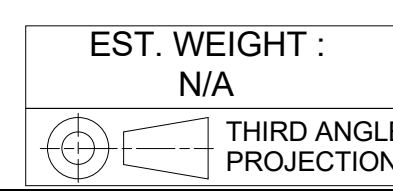
VIEW B-B



**SPECIFICATIONS:**

- DIMENSIONS :** 108.5" H x 24/28" W x 24-36" D - SHIPS FLAT UNASSEMBLED
- RACK SPACES :** 59 RU 19" EIA 310-E COMPLIANT, RMU INDICATORS INCLUDED
- CERTIFICATIONS :** UL 2416, RoHS II
- RAILS RATED AT :** 2500 lbs.
- COLOR :** DURABLE TEXTURED POWDER COATING BLACK OR WHITE
- BOLT TOGETHER CONSTRUCTION :**
  - VERTICAL RAILS , #12 GA. C.R.S.
  - BOTTOM HORIZONTAL FEET, #12 GA. C.R.S.
  - TOP HORIZONTAL SUPPORT, #12 GA. C.R.S.
  - VARIABLE DEPTH SUPPORTS, #14 & #12 GA. C.R.S.
  - (32) 3/8-16 x 1" LG BOLTS
- HARDWARE INCLUDED :** PACKAGE OF QTY-50; M6 CAGE NUTS & SCREWS  
- OR - PACKAGE OF QTY-50 #12-24 SCREWS

INTERPRET DRAWING PER ASME Y14.5M-1994	
DIMENSIONAL LIMITS APPLY AFTER APPLICATION OF FINISH	
DRAWING NOT TO SCALE	
TOLERANCE UNLESS OTHERWISE NOTED:	
ANGULAR +/- 1°	
.XXXX +/- .010	
.XXX +/- .015	
.XX +/- .030	
.X FOR REF. ONLY	
UNLESS OTHERWISE SPECIFIED ALL DIMENSIONS ARE IN INCHES	



**NOTICE:**  
Use of this document is subject to a confidentiality and nondisclosure agreement with Great Lakes Data Racks & Cabinets and may not be reproduced, disclosed or utilized in whole or in part without prior written authorization from Great Lakes.

PART NUMBER: VRX-59U2436-X-SQM6	TITLE: <b>4 POST VARIABLE DEPTH RACK, 59 RMU, CAGE NUT, 24-36" DEEP, 19/23 WIDE EIA TOP LEVEL ASSEMBLY</b>
MATERIAL TYPE:	GREAT LAKES DATA RACKS & CABINETS P.O. BOX 551 EDINBORO, PA 16412 PHONE (814) 734-7303 FAX (814) 734-3907 E-MAIL info@greatcabinets.com
MATERIAL GAUGE:	
FINISH:	DWG NO:
DRAWN CAIUSD	DATE 3/30/2020
CHECKED & APP.:	DATE
REV	SHEET: 1 OF 1