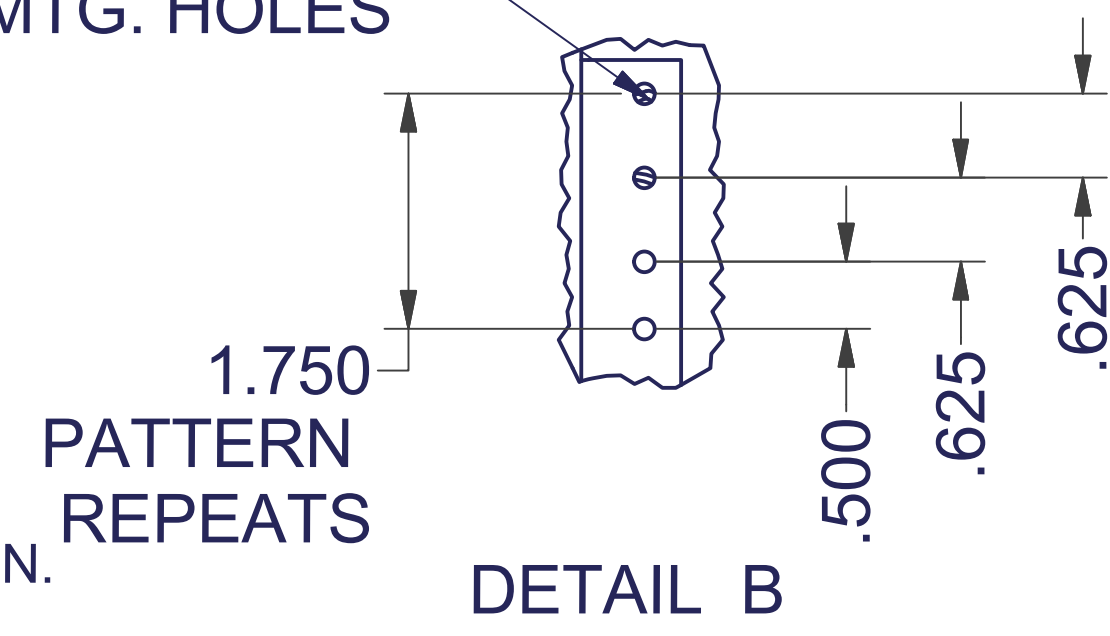


#10-32 TAPPED EIA MTG. HOLES



**SPECIFICATIONS: 15WM WALL MOUNT**

**RACK SPACES:** 19" EIA 310-E COMPLIANT - 7 RMU

**COLOR:** DURABLE BLACK TEXTURED POWDER COAT.

**FEATURES:** 1 PAIR OF FULLY ADJUSTABLE #10-32 THREADED MOUNTING RAILS, #12 GA. 1/2", 3/4", 5/8", 1", 2", AND 3" CONDUIT KNOCKOUTS ON TOP AND BOTTOM OF REAR SECTION. PLEXIGLASS DOOR. SPARE 1 RMU TAB ON BACK PANEL ALLOWS POWER STRIP MOUNTING EXHAUST FAN 75 CFM - 110VAC

**NOTICE:**

Use of this document is subject to a confidentiality and nondisclosure agreement with Great Lakes Case & Cabinet Co., Inc. (GLCC) and may not be reproduced, disclosed or utilized in whole or in part without prior written authorization from GLCC.

PART NUMBER: <b>GL15WMP-B-AF</b>	TITLE <b>WALL MOUNT, NO SWING, 7RMU, PLEXI DOOR</b>
QTY PER UNIT: 1	GREAT LAKES CASE & CABINET CO., INC. P.O. BOX 551 EDINBORO, PA 16412 PHONE (814) 734-7303 FAX (814) 734-3907 E-MAIL glcc@greatcabinets.com
MATERIAL TYPE:	
MATERIAL GAUGE:	DWG NO:
FINISH:	REV 2
DRAWN ShawnB	DATE 9/10/2007
CHECKED & APP. DATE	SHEET OF 1



INTERPRET DRAWING PER ASME Y14.5M-1994  
DIMENSIONAL LIMITS APPLY  
AFTER APPLICATION OF FINISH  
DRAWING NOT TO SCALE  
TOLERANCE UNLESS OTHERWISE NOTED:  
ANGULAR +/- 1'  
.XXXX +/- .010  
.XXX +/- .015  
.XX +/- .030  
.X FOR REF. ONLY  
UNLESS OTHERWISE SPECIFIED  
ALL DIMENSIONS ARE IN INCHES