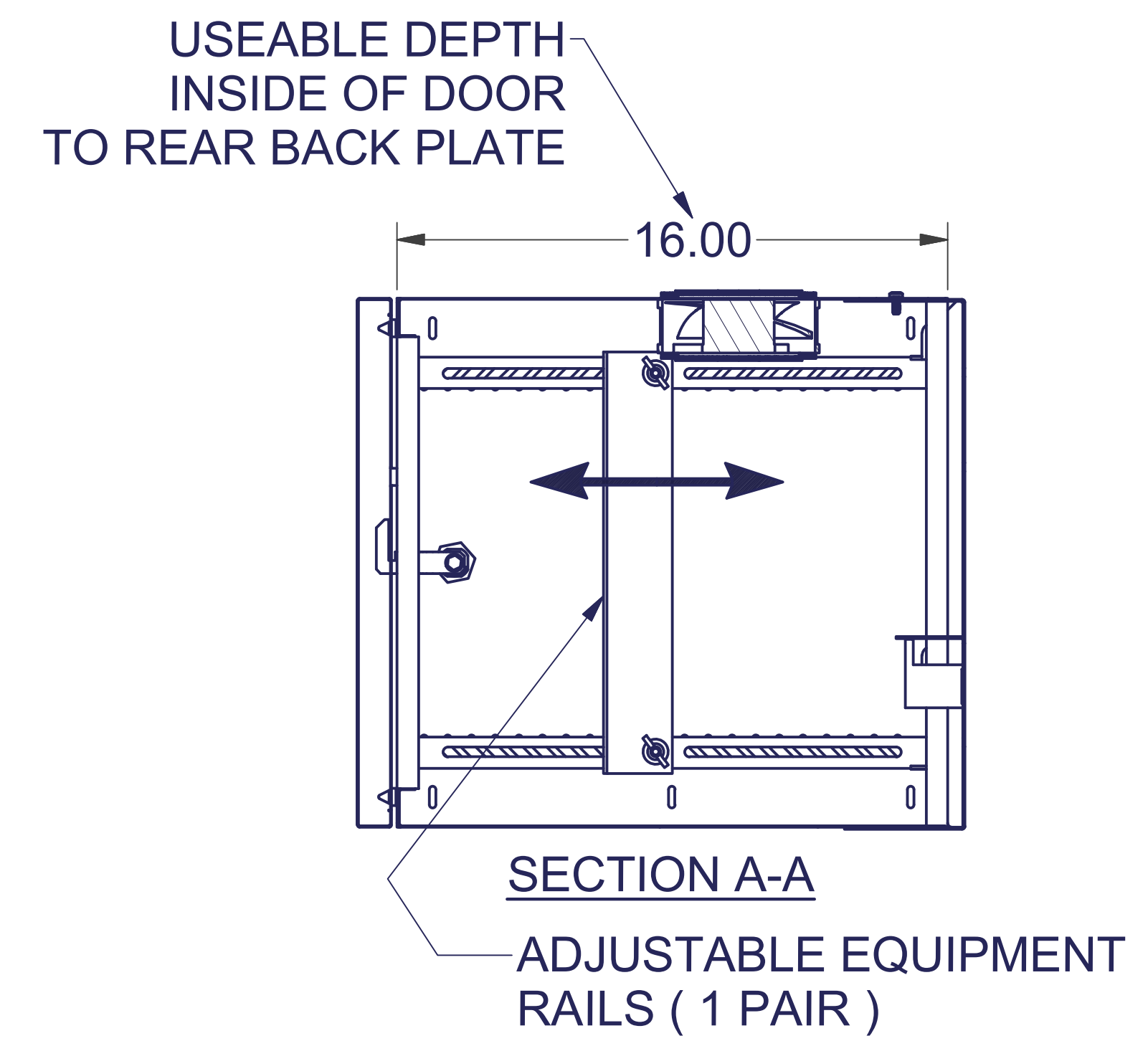
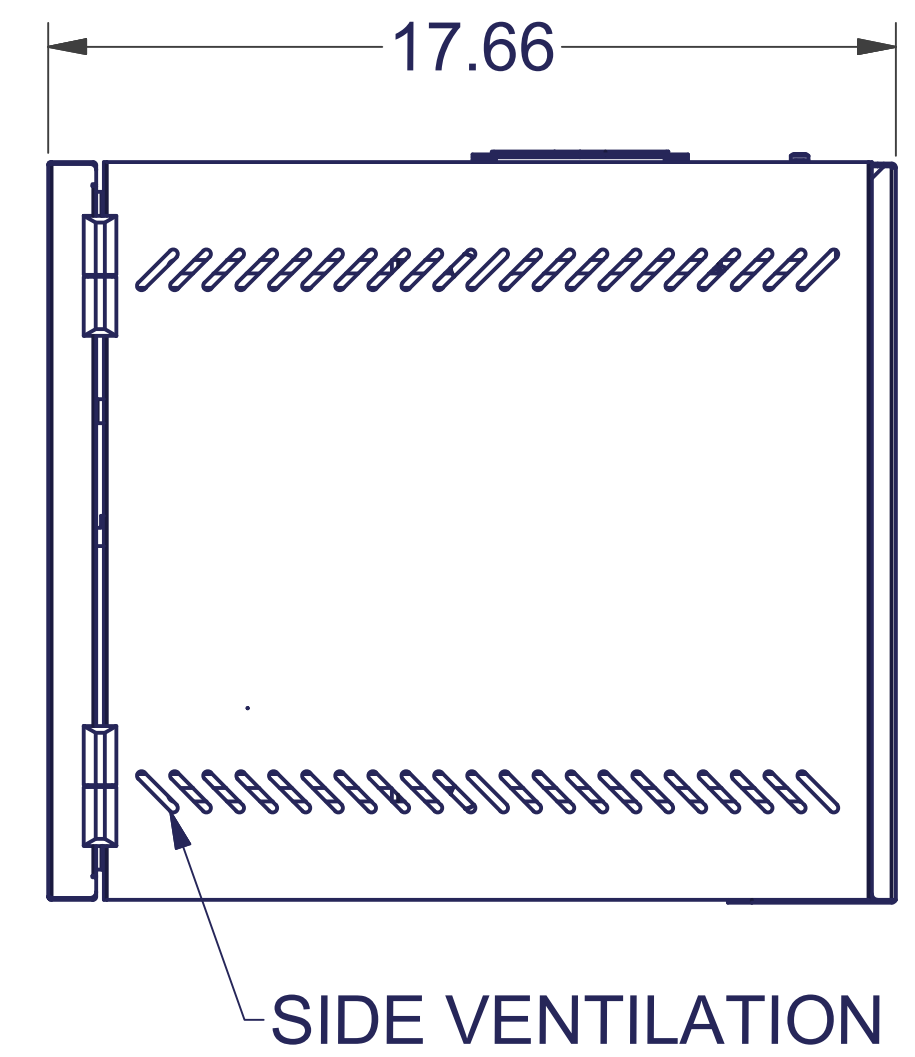
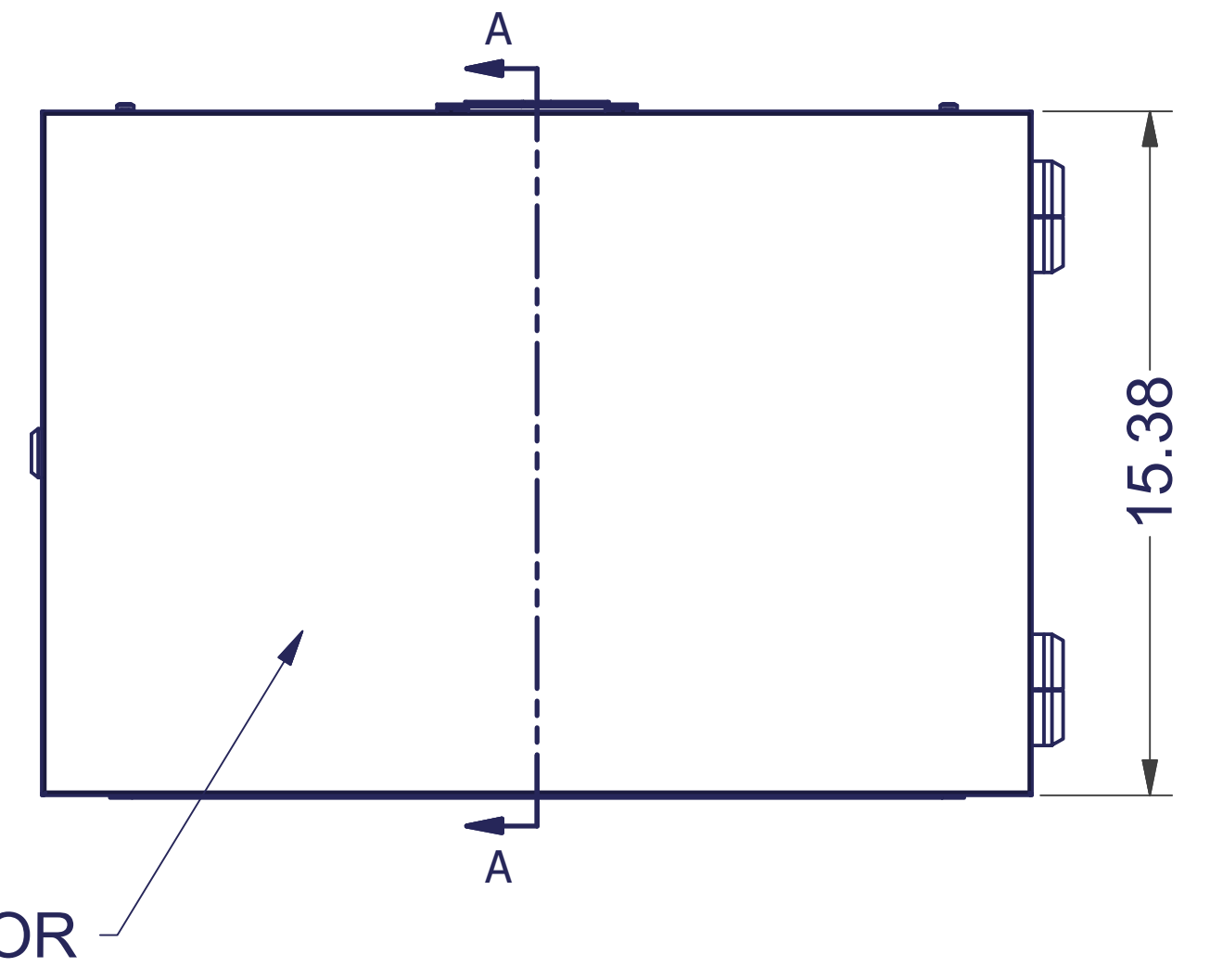
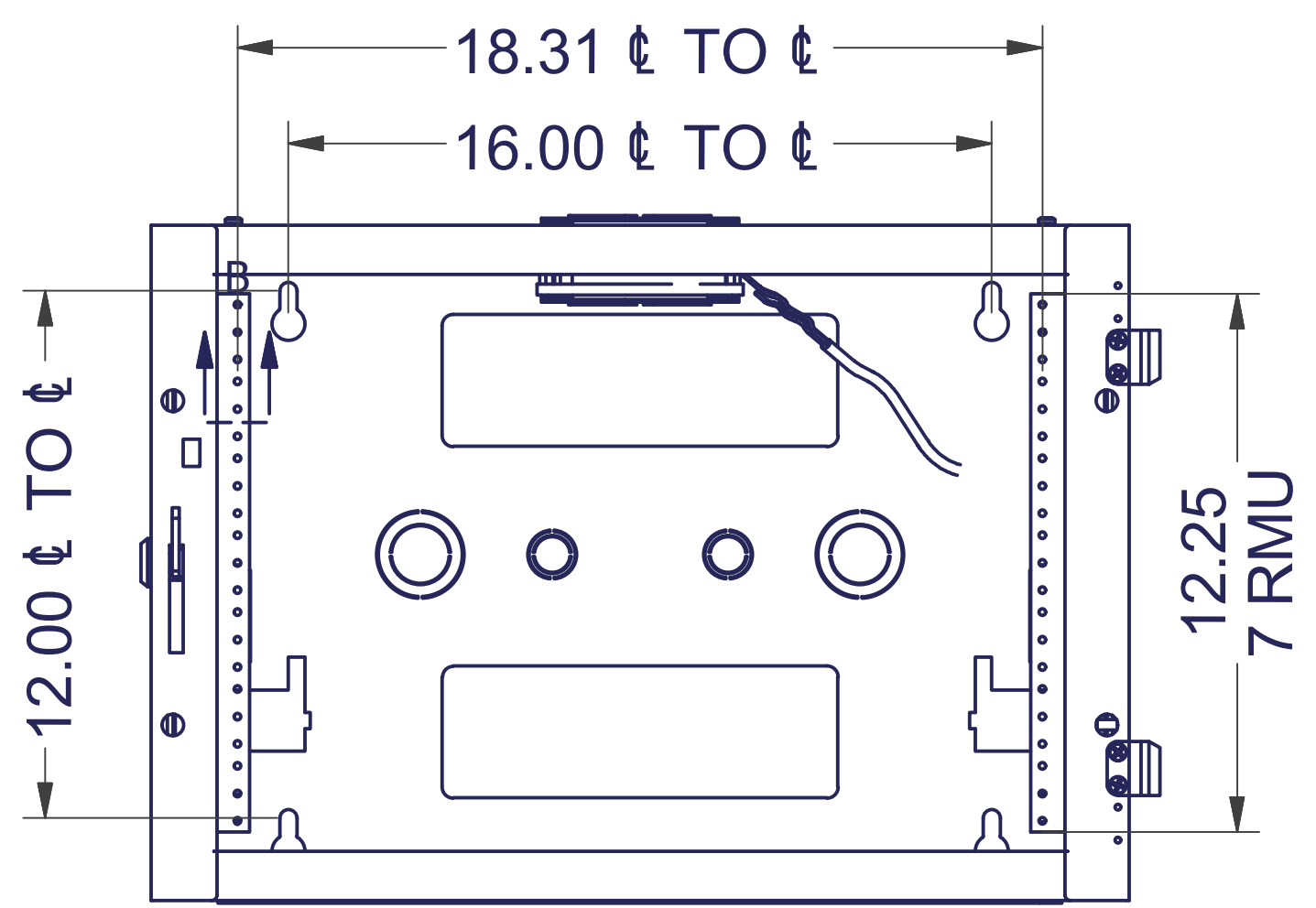
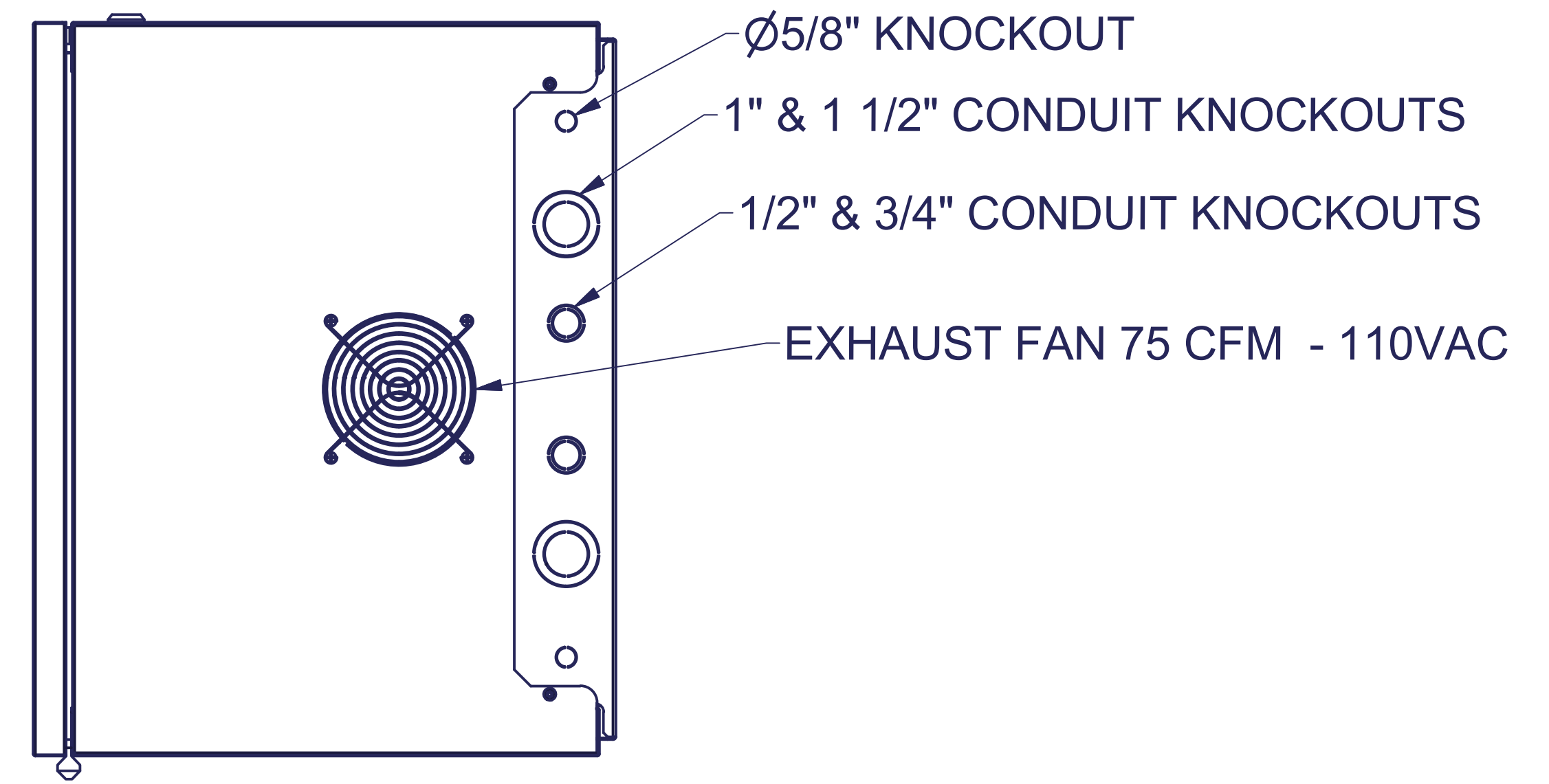
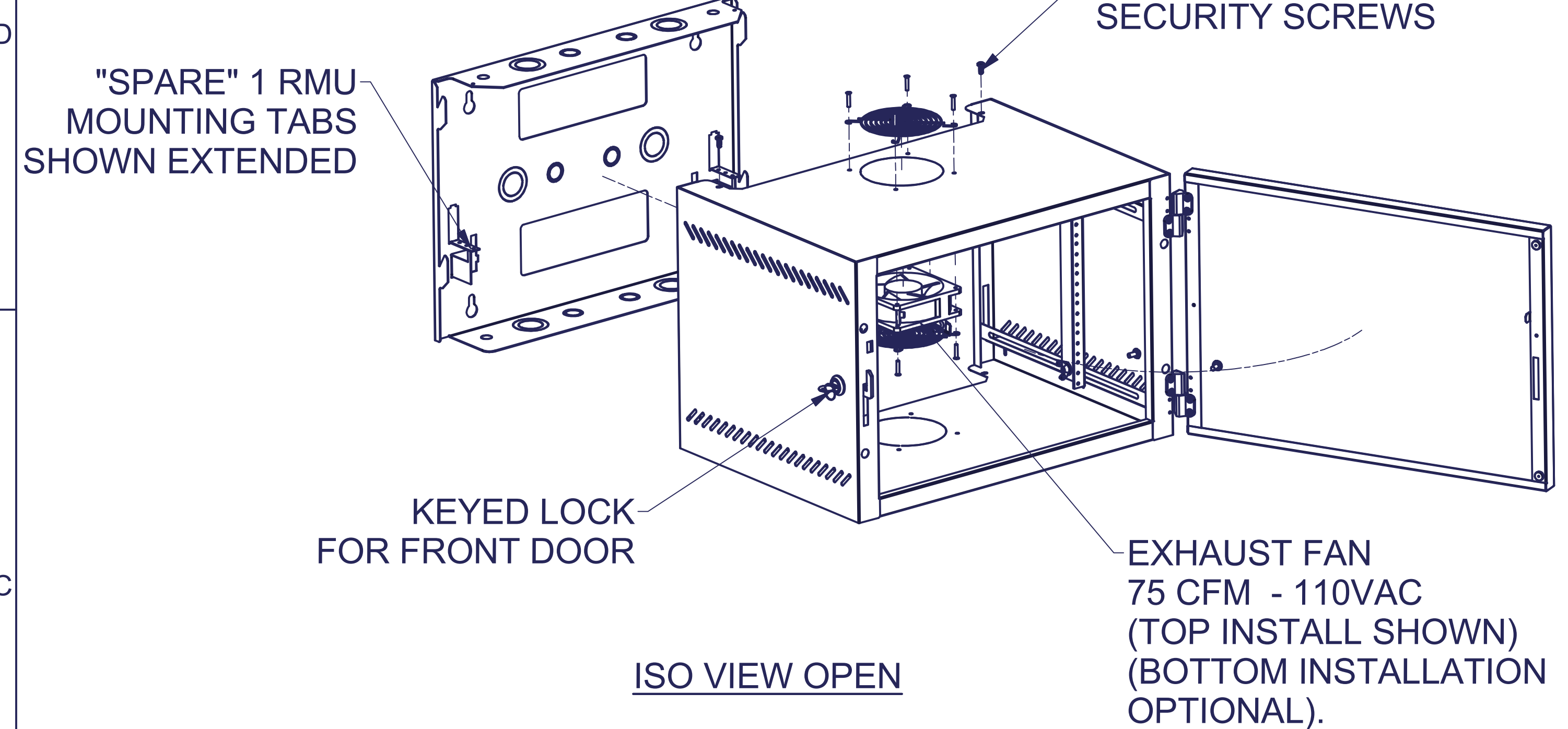


8 7 6 5 4 3 2 1



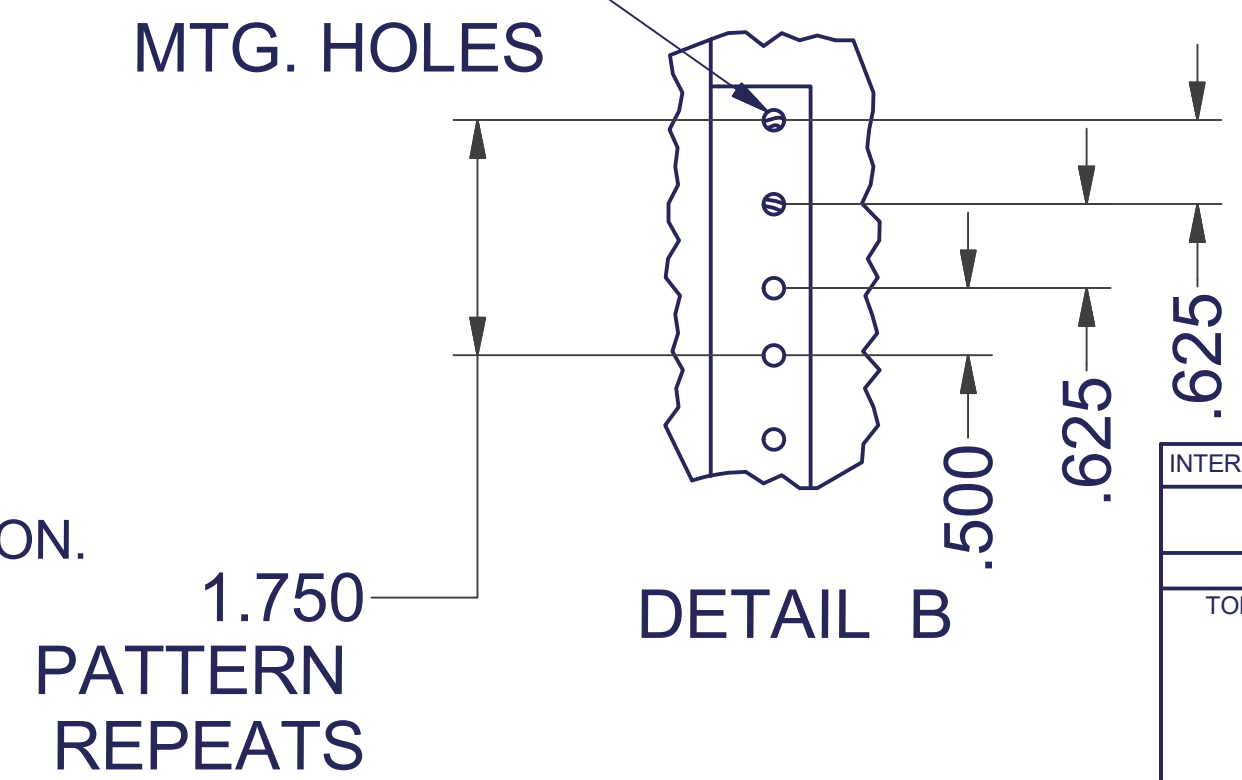
SPECIFICATIONS: 15WM WALL MOUNT

RACK SPACES: 19" EIA 310-E COMPLIANT - 7 RMU

COLOR: DURABLE BLACK TEXTURED POWDER COAT.

FEATURES: 1 PAIR OF FULLY ADJUSTABLE #10-32 THREADED MOUNTING RAILS, #12 GA. 1/2", 3/4", 5/8", 1", 2", AND 3" CODUIT KNOCKOUTS ON TOP AND BOTTOM OF REAR SECTION. SOLID STEEL DOOR. SPARE 1 RMU TAB ON BACK PANEL ALLOWS POWER STRIP MOUNTING EXHAUST FAN 75 CFM - 110VAC

#10-32 TAPPED EIA MTG. HOLES



INTERPRET DRAWING PER ASME Y14.5M-1994
DIMENSIONAL LIMITS APPLY AFTER APPLICATION OF FINISH
DRAWING NOT TO SCALE
TOLERANCE UNLESS OTHERWISE NOTED:
ANGULAR +/- .1°
.XXXX +/- .010
.XXX +/- .015
.XX +/- .030
.X FOR REF. ONLY
UNLESS OTHERWISE SPECIFIED ALL DIMENSIONS ARE IN INCHES

NOTICE: Use of this document is subject to a confidentiality and nondisclosure agreement with Great Lakes Case & Cabinet Co., Inc. (GLCC) and may not be reproduced, disclosed or utilized in whole or in part without prior written authorization from GLCC.

PART NUMBER:	GL15WMS-B-AF
QTY PER UNIT:	1
MATERIAL TYPE:	
MATERIAL GAUGE:	
FINISH:	
DRAWN:	ShawnB
DATE:	9/10/2007
CHECKED & APP.:	

TITLE:	WALL MOUNT, NO SWING, 7RMU, SOLID DOOR
GREAT LAKES CASE & CABINET CO., INC.	
P.O. BOX 551 EDINBORO, PA 16412	
PHONE (814) 734-7303 FAX (814) 734-3907	
E-MAIL glcc@greatcabinets.com	
DWG NO:	REV
	0
SHEET OF 1	

8 7 6 5 4 3 2 1