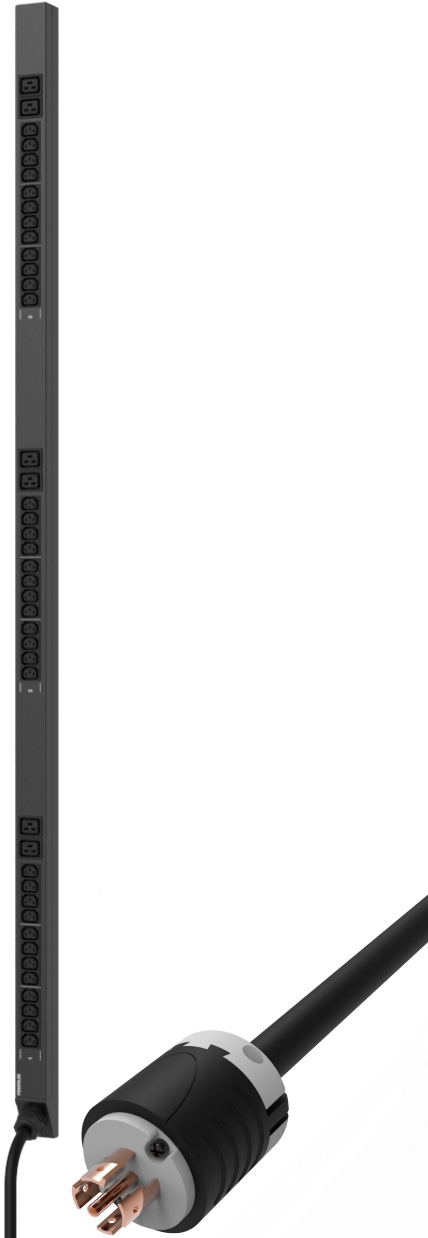


GL7102 PDU

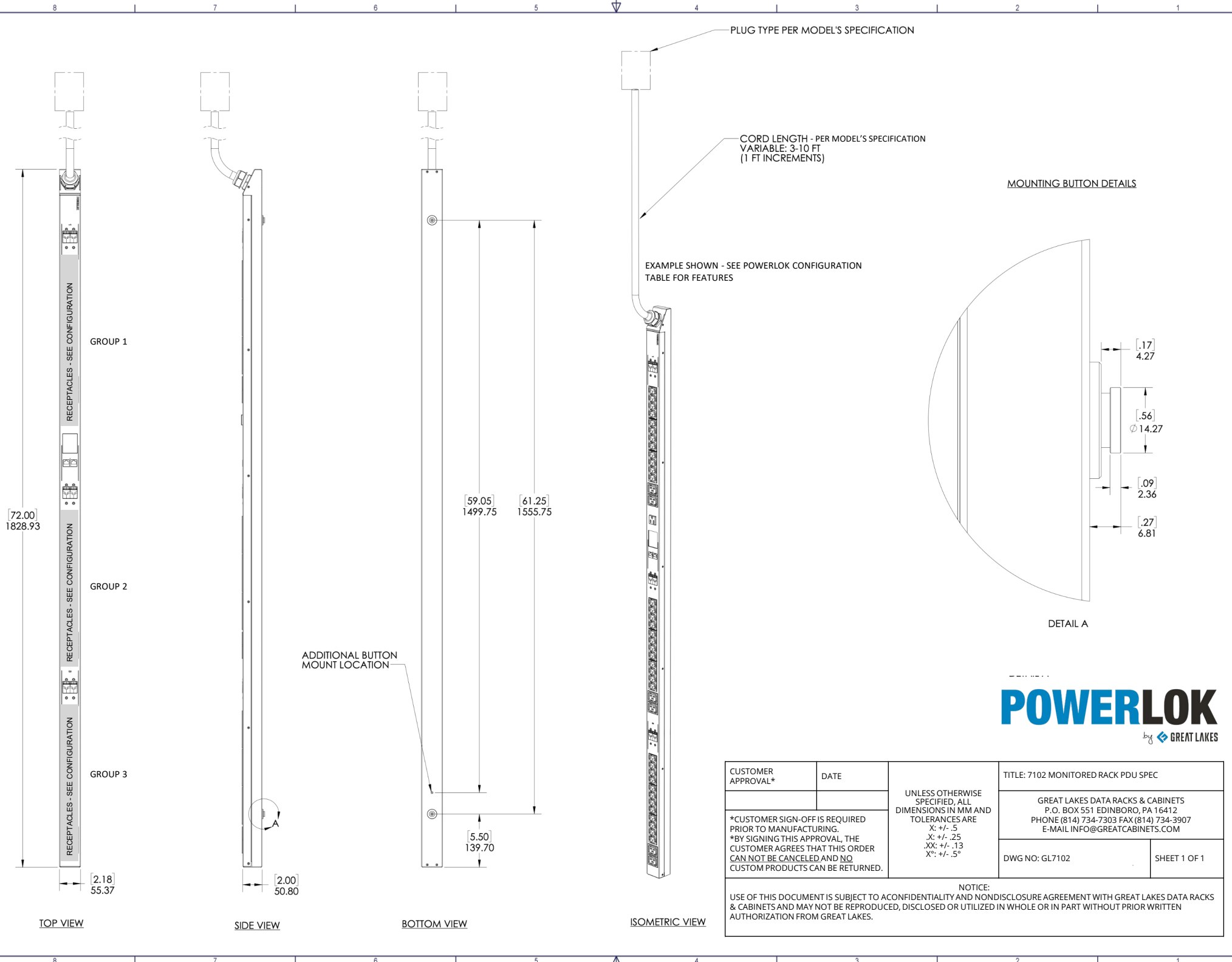


BASIC RACK PDU SPECIFICATION

Over Current Protection	20A magnetic breakers on 30A models
Power Whip	20A: 12AWG 3 or 5 wire & 30A: 10AWG 3 or 5 wire
Operating Temperature	Full nameplate continuous operation: 0-50C (32-122F)
Rack PDU Type	Vertical Rack-mount
Toolless Mounting	61.25in (12.25 spacing standard). 59.05 mounting option available on Rack PDU
USA Assembly	Yes - with local and off-shore sourced components
Product Warranty	3-year from date of shipment, repair or replace
Certification/ Agency Approvals	TUV Certified to UL/CSA 60950-1 with NOM Addendum for Mexico, FCC Part 15 Class A Conformance, RoHS Compliant
Operating Environment	0-50C (32-122F), 5-95% Relative Humidity, 0-10,000ft (0-3000 meters) Elevation
Storage Environment	-25-65C (32-122F), 5-95% Relative Humidity, 0-10,000ft (0-3000 meters) Elevation
Chassis Dimensions	72"L x 2.18"W x 2.0"D
Package Dimensions	84.0"L x 22.0"W x 5.0"D (4-Pack); 84.0"L x 11.0"W x 5.0"D (2-Pack); 84.0"L x 7.0"W x 5.0"D (1-Pack)
Rack PDU Weight	15.0 lbs. (Actual weight varies slightly based on configuration)
Packaged Weight	17.0 lbs (1 unit - actual weight varies slightly based on configuration)

POWERLOK CONFIGURATION: GL7102

Power	20A, 120/208V, 3PH, 5.7 kW
Unit Length	72 IN
Plug Type	NEMA L21-20P
Whip Length	10 FT
Receptacles	36-C13 & 6-C19
120V Tech Power (5-15R Outlet)	None
Cordlok	None
Monitoring	None
Color	Carbon



POWERLOK
by GREAT LAKES

CUSTOMER APPROVAL*	DATE	UNLESS OTHERWISE SPECIFIED, ALL DIMENSIONS IN MM AND TOLERANCES ARE X: +/- .5 .X: +/- .25 .XX: +/- .13 X°: +/- .5°	TITLE: 7102 MONITORED RACK PDU SPEC	
*CUSTOMER SIGN-OFF IS REQUIRED PRIOR TO MANUFACTURING. *BY SIGNING THIS APPROVAL, THE CUSTOMER AGREES THAT THIS ORDER CAN NOT BE CANCELED AND NO CUSTOM PRODUCTS CAN BE RETURNED.			GREAT LAKES DATA RACKS & CABINETS P.O. BOX 551 EDINBORO, PA 16412 PHONE (814) 734-7303 FAX (814) 734-3907 E-MAIL INFO@GREATCABINETS.COM	
		DWG NO: GL7102		SHEET 1 OF 1
<p>NOTICE: USE OF THIS DOCUMENT IS SUBJECT TO ACONFIDENTIALITY AND NONDISCLOSURE AGREEMENT WITH GREAT LAKES DATA RACKS & CABINETS AND MAY NOT BE REPRODUCED, DISCLOSED OR UTILIZED IN WHOLE OR IN PART WITHOUT PRIOR WRITTEN AUTHORIZATION FROM GREAT LAKES.</p>				