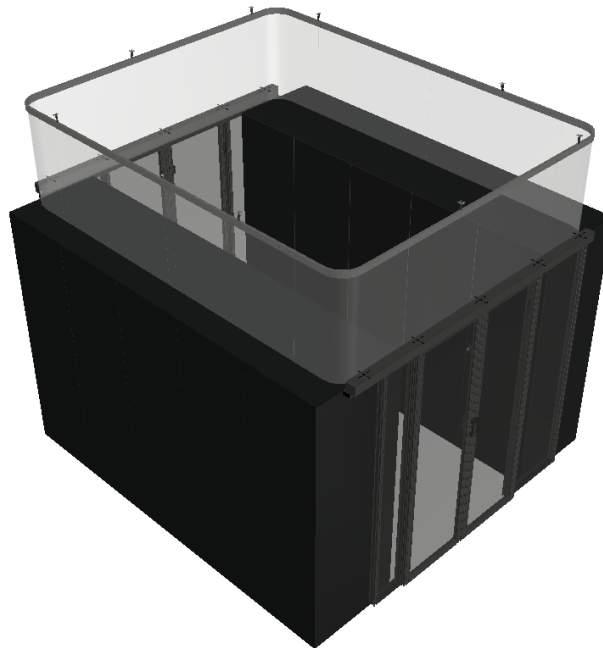
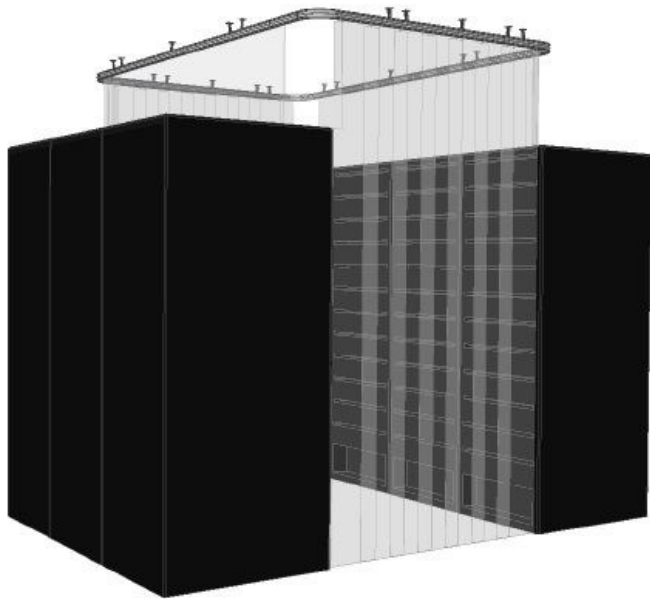


THERMAL CURTAINS



Data center thermal curtains, or soft containment, are a low-cost solution used to create a hot or cold aisle containment strategy.

Curtains provide flexible layout and design options in the data center—making the product an ideal solution for a data center that is in a period of change or upgrade.

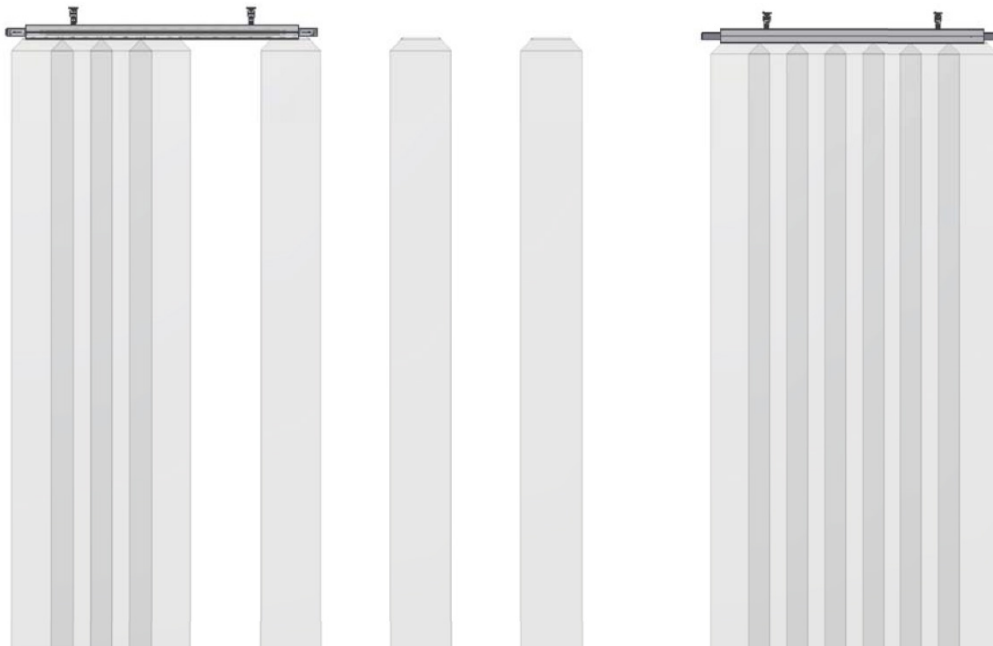
Custom, built to order to ensure the best fit, function and installation

FEATURES:

- 165° heat activated fusible links
- Fire rated clear vinyl curtain
- 90 degree radius corner track (curtains curve around track)
- Aluminum track
- Twist clips for attaching to ceiling
- Custom built to any length or width

OPTIONS:

- 135° fusible links attach to ceiling
- Electronic fusible link to connect to fire suppression system
- Silicone coated fabric to meet NFPA standards



Clear Vinyl

NFPA 701 passed

Length Tolerance (-1/4) (+1.5")

UL Listed fire suppression fusible links

Heat Activated *165° F *135° F

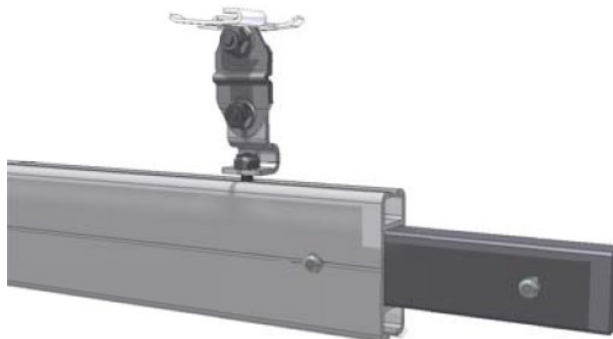
Maximum Load 45 lbs. 40 lbs.

Minimum Load 3 lbs. 3 lbs.

Track

Material 6091 T-5 Temper Aluminum

*165° links come standard. 135° links are available per request



MEASUREMENTS NEEDED FOR SOFT CONTAINMENT (CURTAINS):

- Length of aisle
- Width of aisle
- Cabinet height
- Distance from floor to ceiling
- Distance from top of cabinets to ceiling
- Ceiling type

TYPICAL CURTAIN LAYOUT:

- Thermal walls are used for containing and separating hot and cold air.
- Thermal doors (curtain strip doors) are used in locations where people will be passing in and out of contained area.
- Curtain corner kits include a 2' 90 degree radius track for a continuous seal around corners.
- Corner curtain will account for 1' of aisle length and 1' of aisle width.