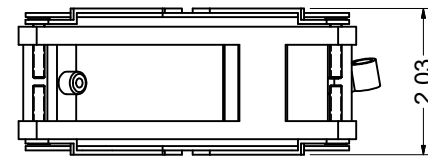
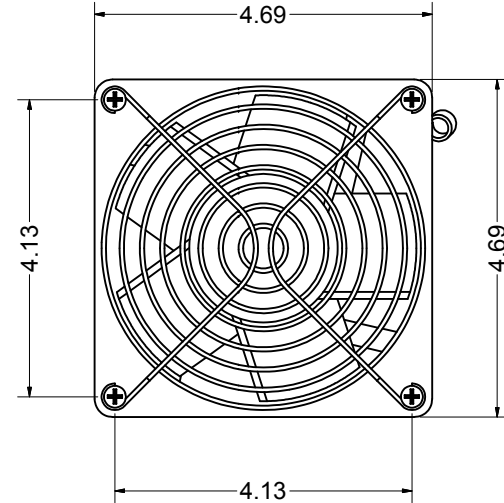
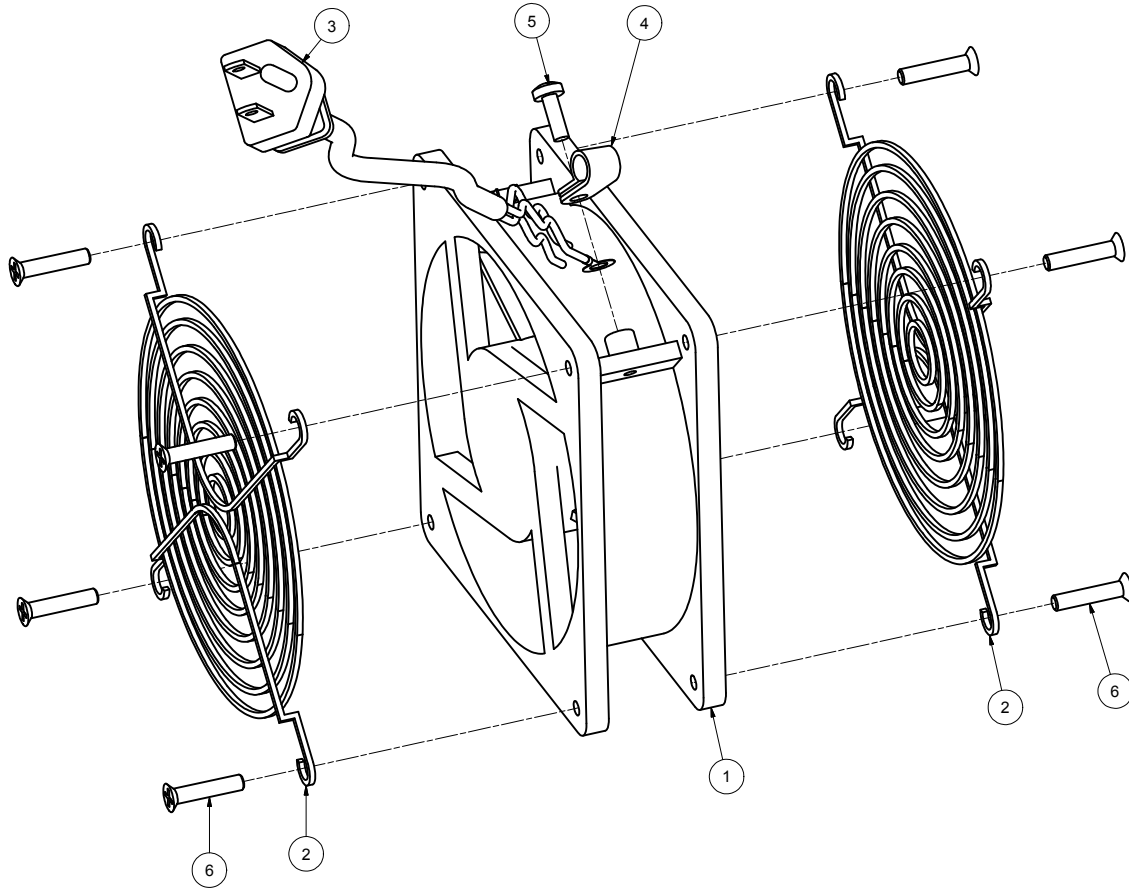


REVISION HISTORY			
REV	DESCRIPTION	DATE	APPROVED
1	ECO-01618	8/8/2005	JL
2	ECO-02460	1/7/09	FED

Bill of Material					
ITEM	PART NUMBER	QTY	DESCRIPTION	FILE NAME	REVISION NUMB
1	XF01	1	FAN, 75 CFM, 115 VAC (ORION #OA109AP-11-3TB832 OR EQUIV)	XF01.ipt	2
2	XF02BUL	2	FAN GUARD 4" BLACK ZINC, KNIGHT #G109-15B-1	XF02BUL.ipt	1
3	XF11	1	CORD FOR HARDWIRING	XF11.ipt	
4	22CC37D0187E	1	MICROPLASTICS CABLE CLAMP	22CC37D0187E.ipt	
5	M4.7X12PPMSBL	1	M4 x 12 PAN HEAD PHIL SCREW (DELL #M04012MPP1BZRO)	M4 x 12 pan head.ipt	-
6	8/32X3/4SCBLK	8	#8-32 x 3/4"LG BLACK OXIDE, WAX COAT, TYPE-F, PHIL. FLAT HEAD	8-32X750SCBLK.ipt	-



INTERPRET DRAWING PER ASME Y14.5M-1994
 DIMENSIONAL LIMITS APPLY
 AFTER APPLICATION OF FINISH
 DRAWING NOT TO SCALE
 TOLERANCE UNLESS OTHERWISE NOTED:
 ANGULAR +/- 1'
 .XXXX +/- .010
 .XXX +/- .015
 .XX +/- .030
 .X FOR REF. ONLY



UNLESS OTHERWISE SPECIFIED
 ALL DIMENSIONS ARE IN INCHES

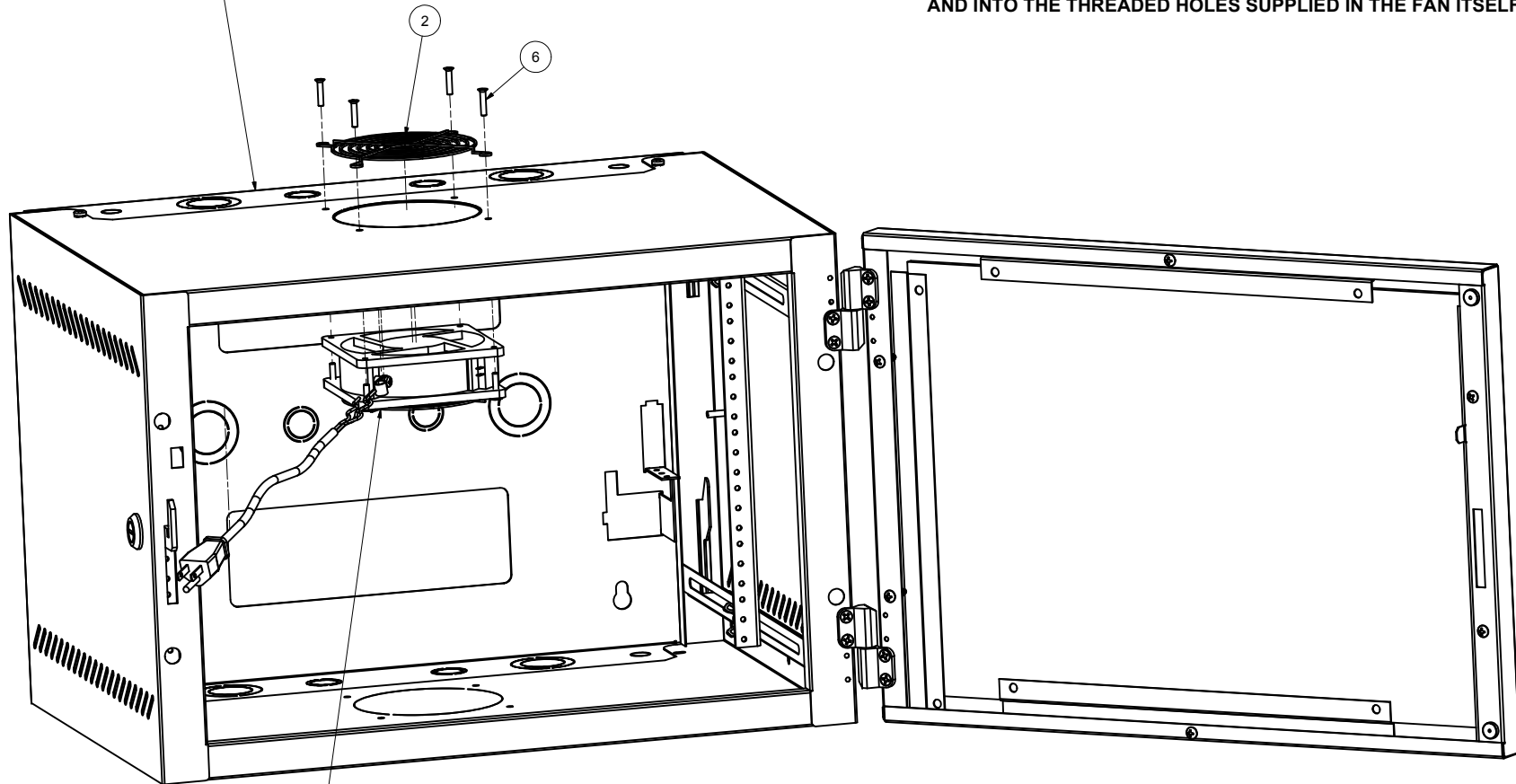
NOTICE:

Use of this document is subject to a confidentiality and nondisclosure agreement with Great Lakes Case & Cabinet Co., Inc. (GLCC) and may not be reproduced, disclosed or utilized in whole or in part without prior written authorization from GLCC.

PART NUMBER: 721704	
QTY PER UNIT:	1
MATERIAL TYPE:	-
MATERIAL GAUGE:	-
FINISH:	-
DRAWN	DATE
JL	8/5/2005
CHECKED & APP.	DATE
WSS	8-8-05

TITLE FAN ASSEMBLY W/SINGLE 75 CFM FAN, TWO GUARDS AND CORD	
GREAT LAKES CASE & CABINET CO., INC. P.O. BOX 551 EDINBORO, PA 16412 PHONE (814) 734-7303 FAX (814) 734-3907 E-MAIL glcc@greatcabinets.com	
DWG NO: 1003395	REV 2
SHEET: 1 OF 2	

STANDARD GL15WM WALL MOUNT UNIT SHOWN FOR REFERENCE



SEE SHEET 1 OF 2 FOR DESCRIPTION OF FAN ASSEMBLY ELEMENTS

TYPICAL FAN ASSEMBLY PROCEDURE:

1. TWIST OUT CENTER MATERIAL OF SUPPLIED FAN HOLE PATTERN.
2. FAN ASSEMBLY IS TO BE INSTALLED INSIDE UNIT AS SHOWN, MAKING CERTAIN THAT THE AIR FLOW DIRECTION ARROW POINTS TO THE OUTSIDE OF THE CABINET.
3. LOCATE FINGER GUARD ON TOP SURFACE AND SECURE WITH (4) SCREWS ALL THE WAY DOWN THRU THE GUARD, UPPER SURFACE AND INTO THE THREADED HOLES SUPPLIED IN THE FAN ITSELF.

INTERPRET DRAWING PER ASME Y14.5M-1994
DIMENSIONAL LIMITS APPLY AFTER APPLICATION OF FINISH
DRAWING NOT TO SCALE
TOLERANCE UNLESS OTHERWISE NOTED:
ANGULAR +/- 1°
.XXXX +/- .010
.XXX +/- .015
.XX +/- .030
.X FOR REF. ONLY
UNLESS OTHERWISE SPECIFIED ALL DIMENSIONS ARE IN INCHES

NOTICE:

Use of this document is subject to a confidentiality and nondisclosure agreement with Great Lakes Case & Cabinet Co., Inc. (GLCC) and may not be reproduced, disclosed or utilized in whole or in part without prior written authorization from GLCC.

PART NUMBER:	721704
QTY PER UNIT:	1
MATERIAL TYPE:	-
MATERIAL GAUGE:	-
FINISH:	-
DRAWN BY:	Blis 1/7/09
CHECKED BY:	WSS 1/7/09

TITLE		FAN ASSEMBLY W/ SINGLE 75 CFM FAN, TWO GUARDS AND CORD	
GREAT LAKES CASE & CABINET CO., INC.			
P.O. BOX 551 EDINBORO, PA 16412			
PHONE (814) 734-7303 FAX (814) 734-3907			
E-MAIL glcc@greatcabinets.com			
DWG NO:	I003395	REV	2
		SHEET 2 OF 2	