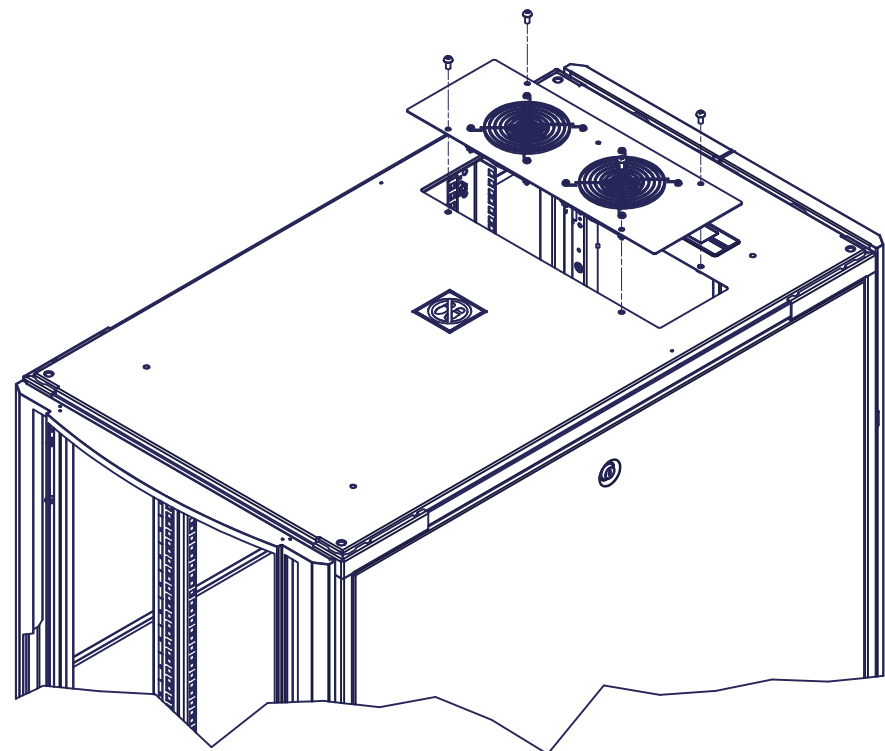
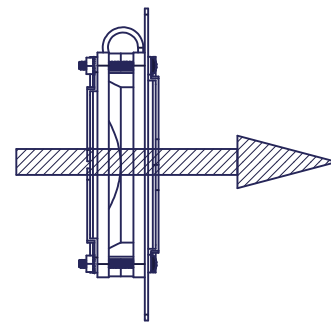
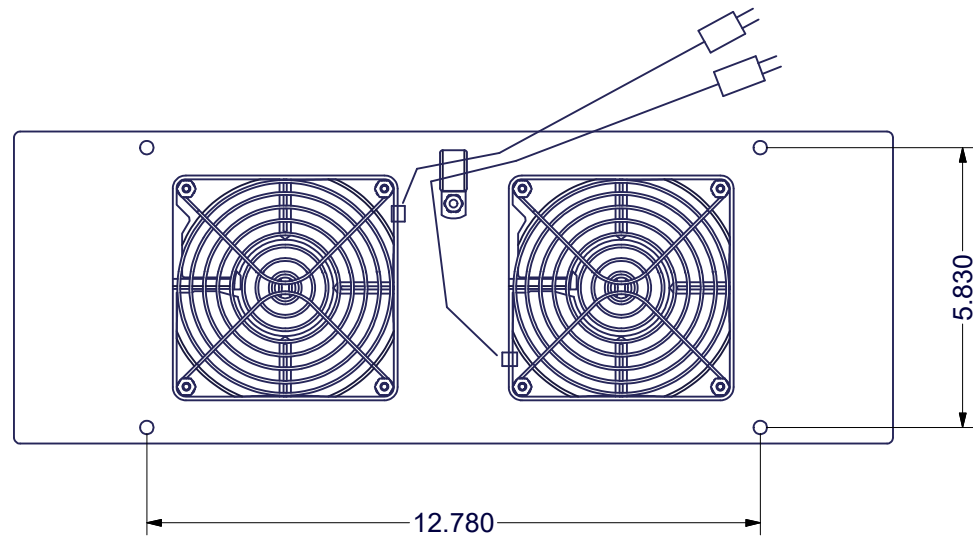
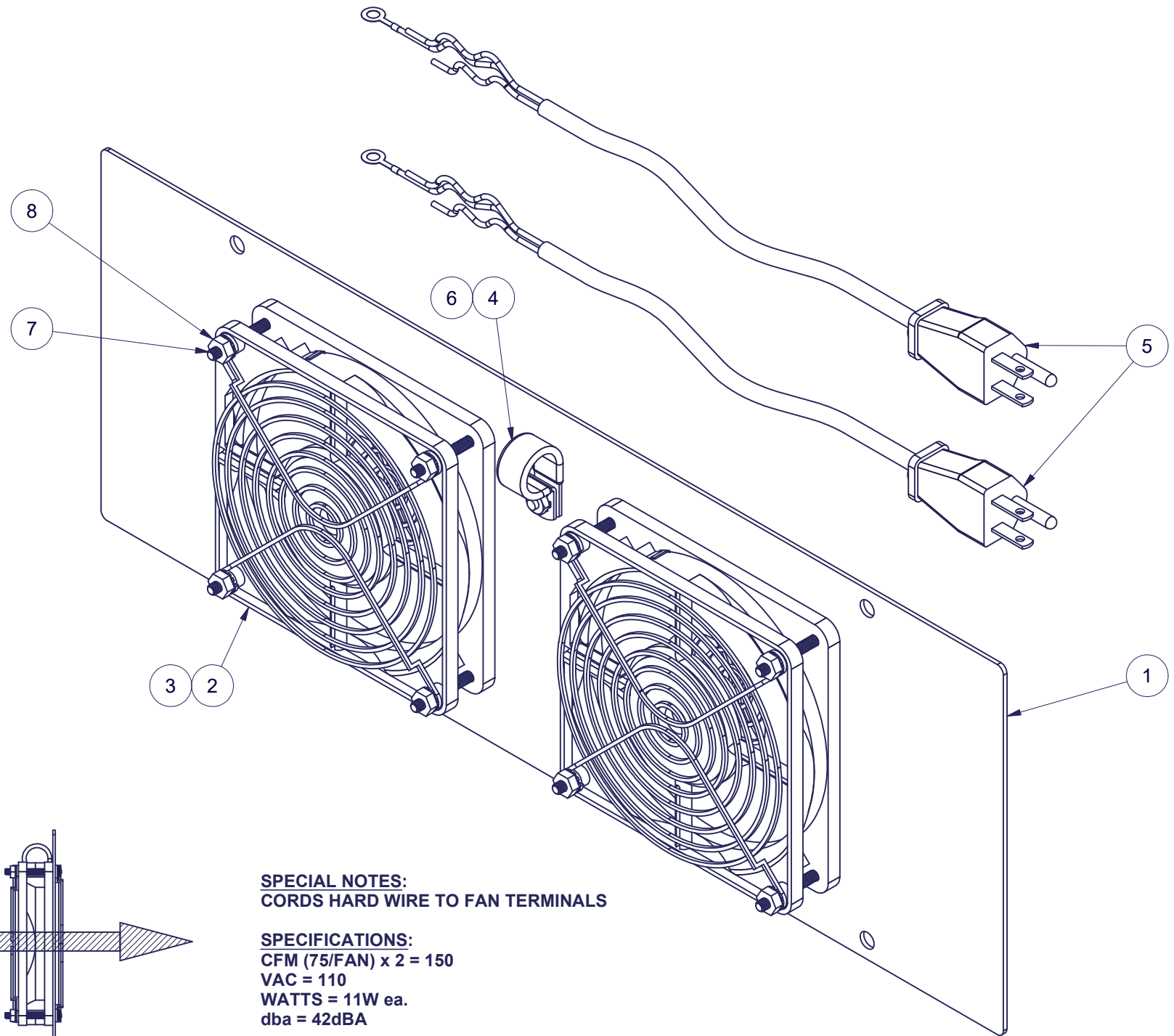


| REVISION HISTORY | | | |
|------------------|-------------|-----------|----------|
| REV | DESCRIPTION | DATE | APPROVED |
| 0 | ECO-07586 | 2/14/2019 | FED |

| Bill of Material | | | | | | |
|------------------|-----------------|---------|-----|--|---------------------|-----|
| ITEM | PART NUMBER | STOCK # | QTY | DESCRIPTION | FILE NAME | Rev |
| 1 | X100 | | 1 | 18.31 x 6.50 FLAT FAN PLATE, DETAIL | I030412.iam | 0 |
| 2 | OA125AP-11-1-TB | | 2 | Fan, 120mm x 25mm (4.7" x 1.0"), 110VAC, 75 CFM ('ORION' #OA125AP-11-1-TB OR EQ.) | OA125AP-11-1-TB.ipt | - |
| 3 | XF02BUL | | 4 | FAN GUARD 4" BLACK ZINC, ('KNIGHT' #G109-15B-1) | XF02BUL.ipt | 1 |
| 4 | 8863T150 | | 1 | LOOP CLAMP, ZINC-PLATED W/VINYL CUSHION, 1/2" WIDE, 5/8" ID, ('MCMMASTER' #8863T150) | 8863T150.ipt | - |
| 5 | XF11 | | 2 | CORD FOR HARD WIRING | XF11.ipt | - |
| 6 | 8-32NUT | H02-024 | 1 | #8-32 NUT W/ EXTERNAL TOOTH LOCK WASHER | 8-32LOCKNUT.iam | - |
| 7 | 90272A203 | | 8 | PHIL PAN HEAD SCREW, 8-32 X 1-1/2" LG, ZINC COATED, ('MCMMASTER' #90272A203 OR EQ.) | 90272A203.ipt | - |
| 8 | | H02-014 | 8 | NUT 8-32 KEPS RBZ | H02-024.ipt | - |



INSTALLATION VIEW



AIRFLOW DIRECTION

SPECIAL NOTES:
CORDS HARD WIRE TO FAN TERMINALS

SPECIFICATIONS:
CFM (75/FAN) x 2 = 150
VAC = 110
WATTS = 11W ea.
dba = 42dBA

| | | | | |
|------------------------------|---|---|--|--|
| EST. WEIGHT : 2.11 lbmass | INTERPRET DRAWING PER ASME Y14.5M-1994 DIMENSIONAL LIMITS APPLY AFTER APPLICATION OF FINISH DRAWING NOT TO SCALE TOLERANCE UNLESS OTHERWISE NOTED: ANGULAR +/- 1° .XXXX +/- .010 .XXX +/- .015 .XX +/- .030 .X FOR REF. ONLY | NOTICE: Use of this document is subject to a confidentiality and nondisclosure agreement with Great Lakes Case & Cabinet Co., Inc. (GLCC) and may not be reproduced, disclosed or utilized in whole or in part without prior written authorization from GLCC. | PART NUMBER: 7217L | TITLE 18.31 x 6.50 FLAT FAN PLATE, ASSEMBLY |
| | THIRD ANGLE PROJECTION | | UNLESS OTHERWISE SPECIFIED ALL DIMENSIONS ARE IN INCHES | QTY PER UNIT: 1 |
| | | | MATERIAL GAUGE: #14 Ga. | |
| | | | FINISH: SEE DETAILS | |
| | | | DRAWN CND | DATE 1/8/2019 |
| | | | CHECKED & APP. WSS | DATE 2/14/2019 |
| | | | DWG NO. 1030584 | REV 0 |
| | | | SHEET: 1 OF 1 | |