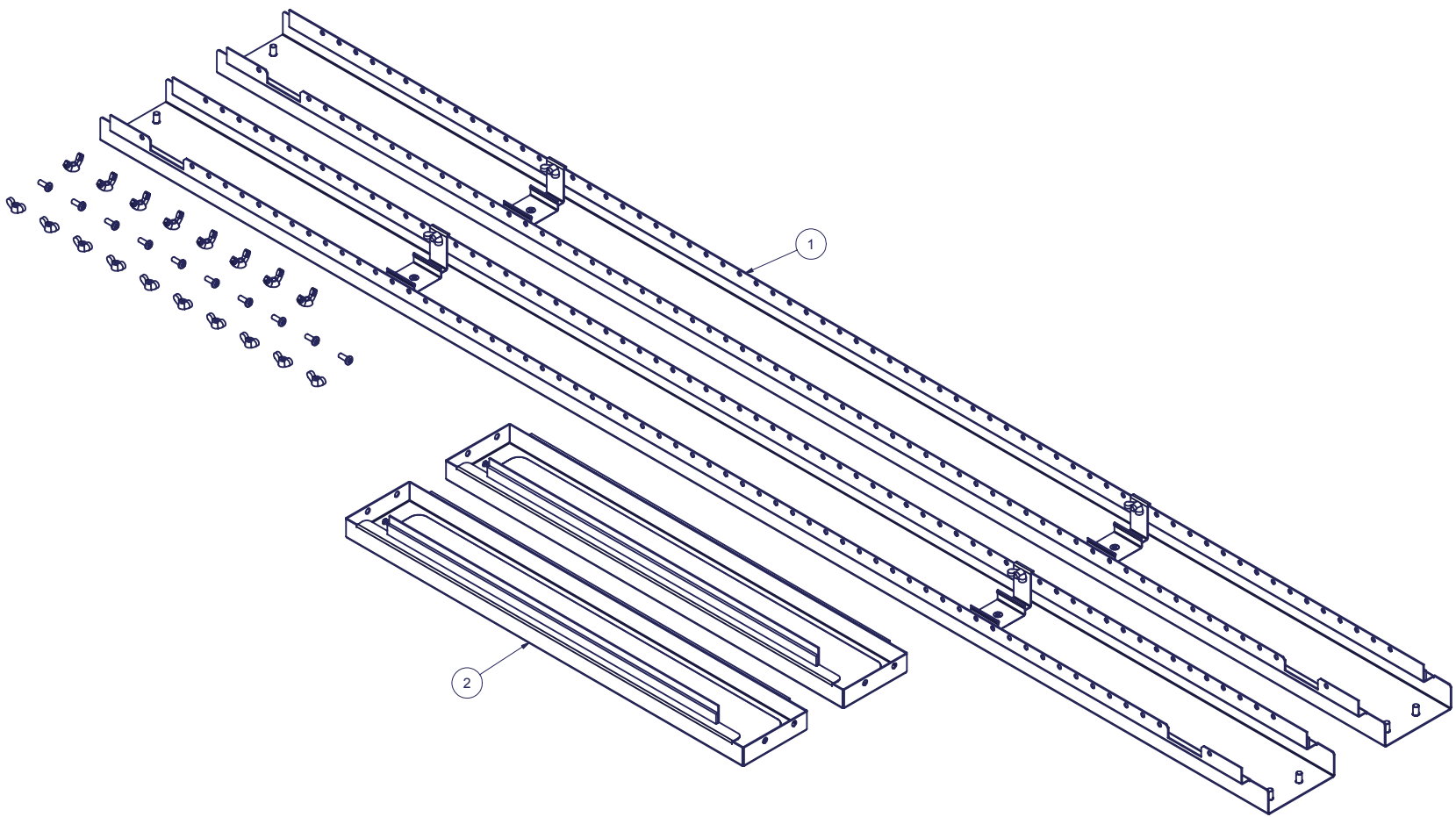


REVISION HISTORY			
REV	DESCRIPTION	DATE	APPROVED
0	ECO-01576	6/1/2005	WSS

Bill of Material					
ITEM	PART NUMBER	QTY	DESCRIPTION	FILE NAME	REV
1	EXT472S	1	4" DEEP, 72"H, CABINET EXTENSION SIDES - PACKAGED KIT	I001934-KIT.iam	0
2	EXT424TB	1	4"D CABINET EXTENSION TOP/BOTTOM - 24"W	I001930-kit.iam	0



INTERPRET DRAWING PER ASME Y14.5M-1994
 DIMENSIONAL LIMITS APPLY
 AFTER APPLICATION OF FINISH
 DRAWING NOT TO SCALE
 TOLERANCE UNLESS OTHERWISE NOTED:
 ANGULAR +/- 1°
 .XXXX +/- .010
 .XXX +/- .015
 .XX +/- .030
 X FOR REF. ONLY

NOTICE:
 Use of this document is subject to a confidentiality and nondisclosure agreement with Great Lakes Case & Cabinet Co., Inc. (GLCC) and may not be reproduced, disclosed or utilized in whole or in part without prior written authorization from GLCC.

PART NUMBER:
72E24EXT4
 QTY PER UNIT: 1
 MATERIAL TYPE: -
 MATERIAL GAUGE:
#16 GA
 FINISH: -
 DRAWN: JL DATE: 6/1/2005
 CHECKED & APP. DATE: 10/26/2004
 WSS

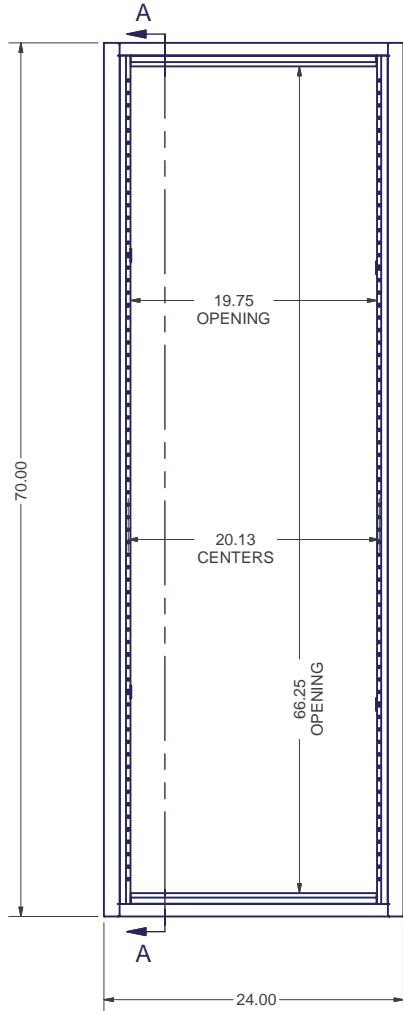
TITLE
4" DEEP, 72"H, 24"W COMPLETE CABINET EXTENSION, 2-BOXED KIT
 GREAT LAKES CASE & CABINET CO., INC.
 P.O. BOX 551 EDINBORO, PA 16412
 PHONE (814) 734-7303 FAX (814) 734-3907
 E-MAIL glcc@greatcabinets.com



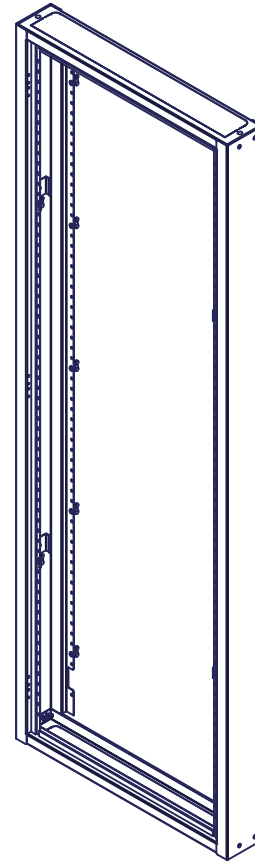
THIRD ANGLE PROJECTION
 UNLESS OTHERWISE SPECIFIED
 ALL DIMENSIONS ARE IN INCHES

DWG NO: I001935
 REV: 0
 SHEET: 1 OF 2

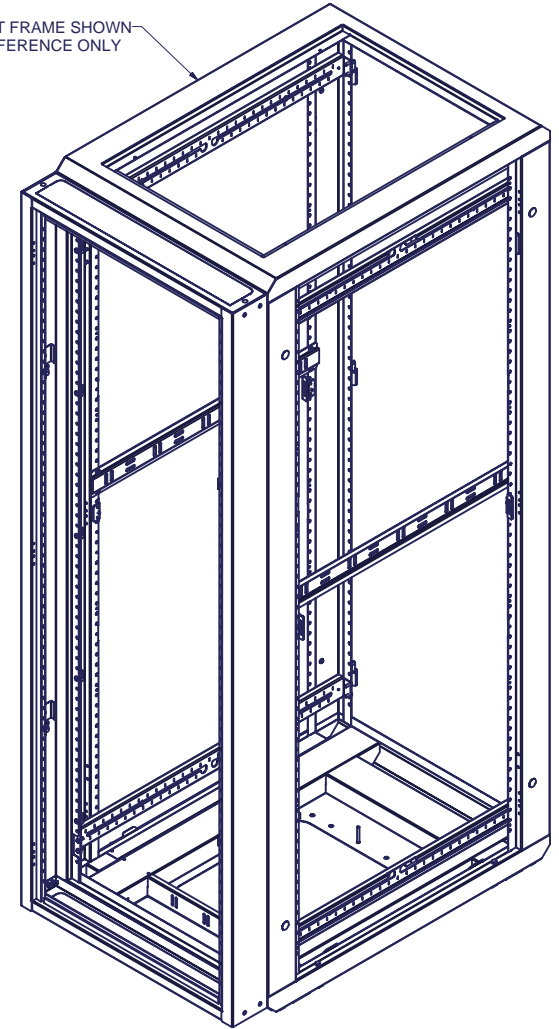
ASSEMBLED VIEW



SECTION A-A



CABINET FRAME SHOWN FOR REFERENCE ONLY



INTERPRET DRAWING PER ASME Y14.5M-1994
 DIMENSIONAL LIMITS APPLY AFTER APPLICATION OF FINISH
 DRAWING NOT TO SCALE
 TOLERANCE UNLESS OTHERWISE NOTED:
 ANGULAR +/- 1'
 .XXXX +/- .010
 .XXX +/- .015
 .XX +/- .030
 .X FOR REF. ONLY



THIRD ANGLE PROJECTION

UNLESS OTHERWISE SPECIFIED ALL DIMENSIONS ARE IN INCHES

NOTICE:

Use of this document is subject to a confidentiality and nondisclosure agreement with Great Lakes Case & Cabinet Co., Inc. (GLCC) and may not be reproduced, disclosed or utilized in whole or in part without prior written authorization from GLCC.

PART NUMBER: 72E24EXT4	
QTY PER UNIT:	1
MATERIAL TYPE:	-
MATERIAL GAUGE:	-
FINISH:	-
DRAWN	DATE
CA	12/30/2003
CHECKED & APP.	DATE
WSS	10/26/2004

TITLE 4"D EXTENSION FOR 720E-24 CABINETS	
GREAT LAKES CASE & CABINET CO., INC. P.O. BOX 551 EDINBORO, PA 16412 PHONE (814) 734-7303 FAX (814) 734-3907 E-MAIL glcc@greatcabinets.com	
DWG NO: 1001935	REV 0
SHEET: 2 OF 2	