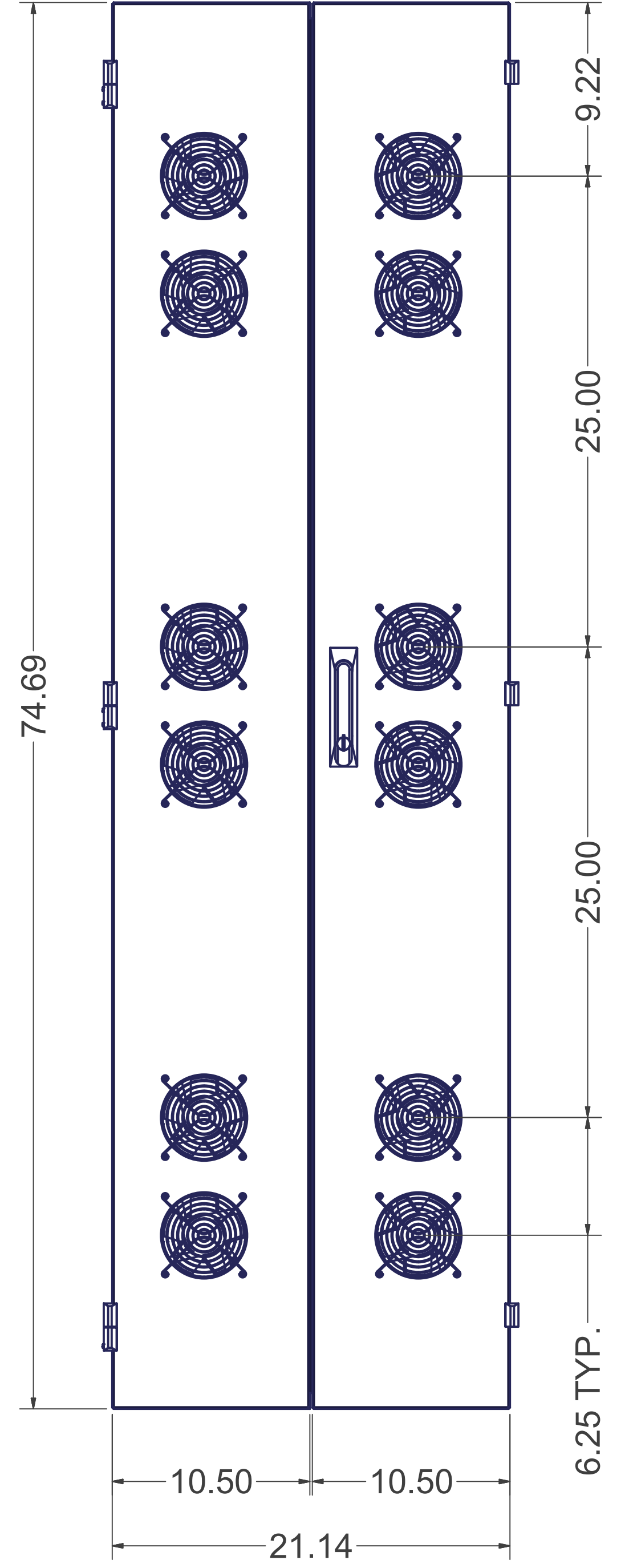
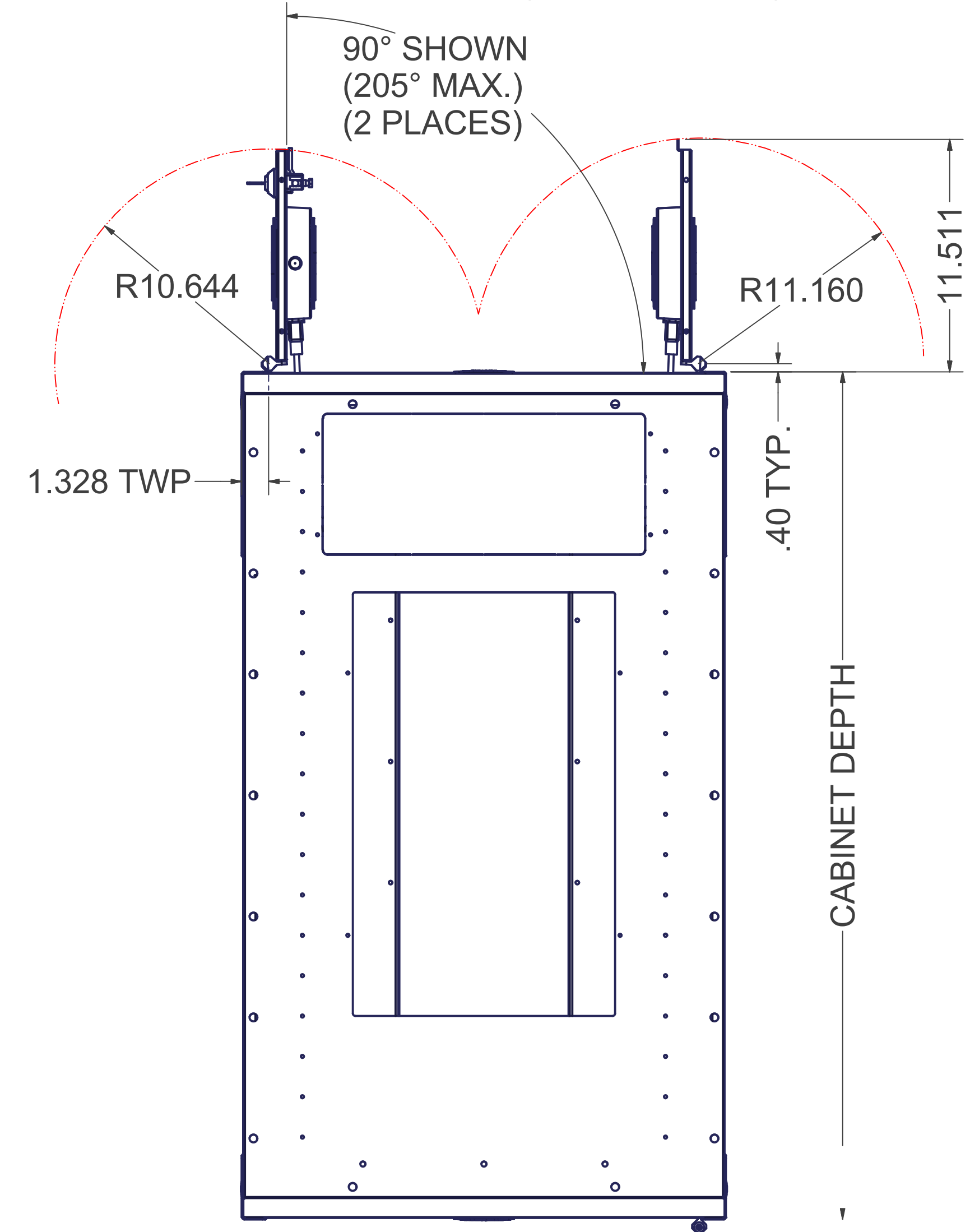
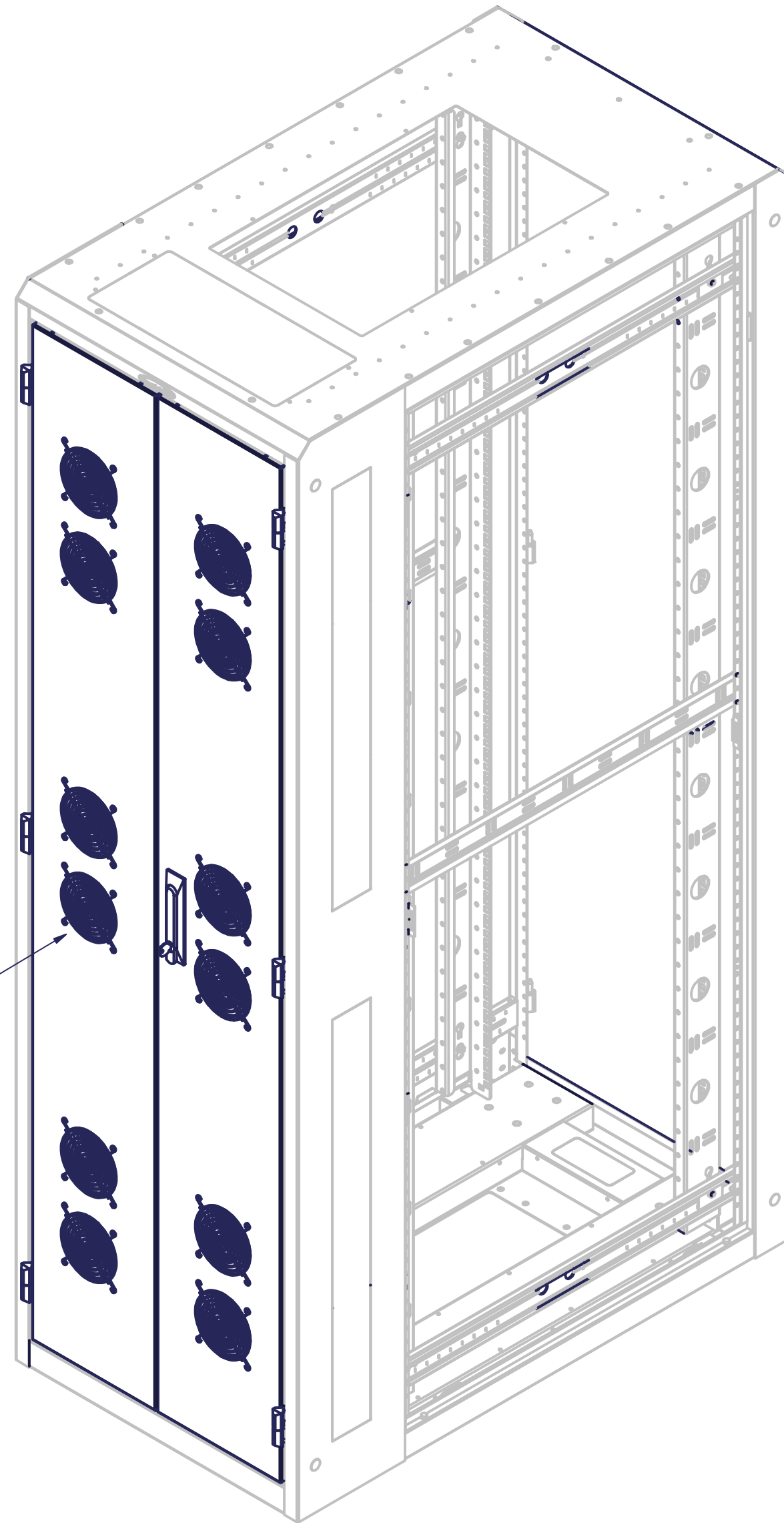
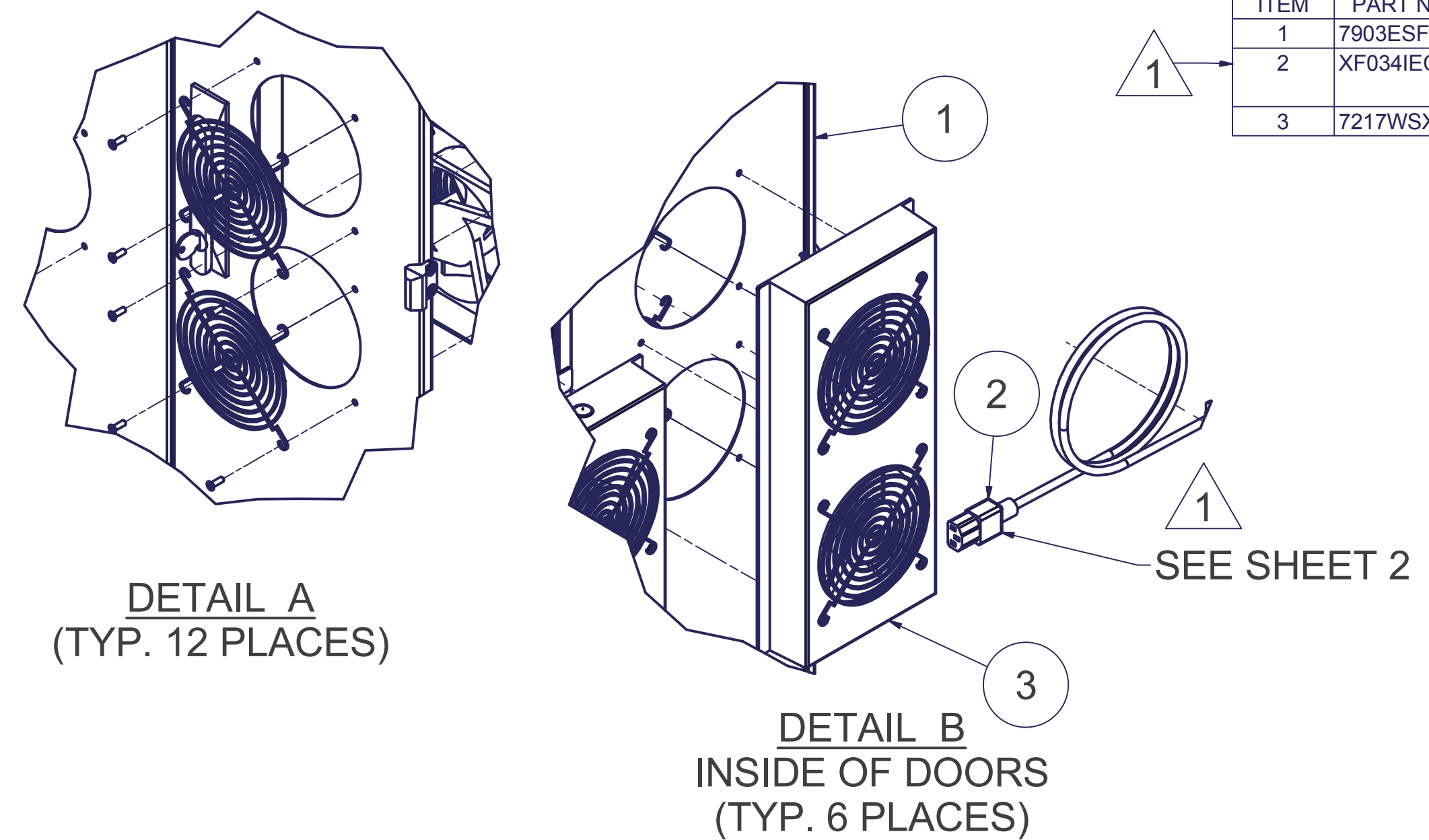


REVISION HISTORY			
REV	DESCRIPTION	DATE	APPROVED
0	ECO-06086	1/16/2014	CDM
1	ECO-06671	9/9/2015	VL

Bill of Material						
ITEM	PART NUMBER	STOCK NUMBER	QTY	DESCRIPTION	FILE NAME	REV
1	7903ESF24X100		1	SPLIT FAN DOOR SET 'E', 79"H x 24"W	I020660.iam	0
2	XF034IEC		6	4' BLACK POWER CORD WITH IEC PLUG, POWER DYNAMICS # SPC-A133CDA	XF034IEC.ipt	0
3	7217WSX200		6	2 FAN UNIT ASSEMBLY, 150 CFM, 115VAC	I013249.iam	8



SPECIAL NOTES:
1) REFER TO PURCHASE ORDER - SPECIAL INSTRUCTIONS MAY APPLY!

TOP VIEW
DOORS OPEN
FOR REFERENCE



INTERPRET DRAWING PER ASME Y14.5M-1994
DIMENSIONAL LIMITS APPLY
AFTER APPLICATION OF FINISH
DRAWING NOT TO SCALE
TOLERANCE UNLESS OTHERWISE NOTED:
ANGULAR +/- .1°
.XXXX +/- .010
.XXX +/- .015
.XX +/- .030
.X FOR REF. ONLY
UNLESS OTHERWISE SPECIFIED
ALL DIMENSIONS ARE IN INCHES

NOTICE:
Use of this document is subject to a confidentiality and nondisclosure agreement with Great Lakes Case & Cabinet Co., Inc. (GLCC) and may not be reproduced, disclosed or utilized in whole or in part without prior written authorization from GLCC.

PART NUMBER:
7903ESF24X200
QTY PER UNIT:
1
MATERIAL TYPE:
CRS
MATERIAL GAUGE:
SEE DETAILS
FINISH:
-
DRAWN:
CDM
CHECKED & APP.
WSS
DATE:
1/16/2014
DATE:
1/17/2014

TITLE
SPLIT FAN DOOR SET, COMPLETE 'E', 79"H x 24"W - TOP LEVEL ASSEMBLY
GREAT LAKES CASE & CABINET CO., INC.
P.O. BOX 551 EDINBORO, PA 16412
PHONE (814) 734-7303 FAX (814) 734-3907
E-MAIL glcc@greatcabinets.com
DWG NO:
1020659
REV
1
SHEET: 1 OF 2