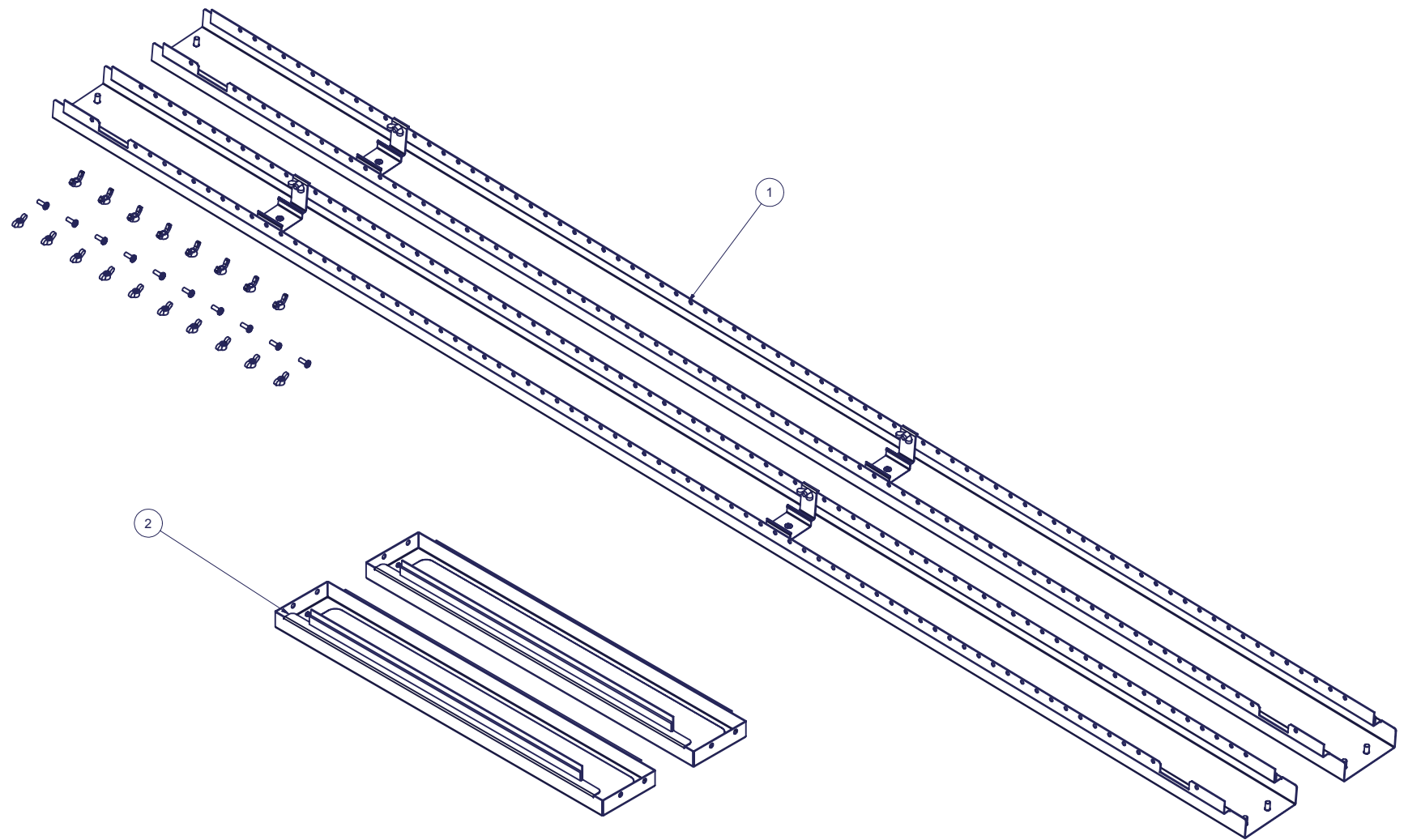


REVISION HISTORY			
REV	DESCRIPTION	DATE	APPROVED
0	ECO-01341	10/26/2004	WSS

Bill of Material					
ITEM	PART NUMBER	QTY	DESCRIPTION	FILE NAME	REV
1	EXT484SX200	1	4" D EXTENSION, 84"H, SIDE CHANNELS, PACKAGED KIT	I001928-kit.iam	0
2	EXT424TBX200	1	4"D EXTENSION 24"W, TOP & BOTTOM, PACKAGED KIT	I001930-kit.iam	0



INTERPRET DRAWING PER ASME Y14.5M-1994
 DIMENSIONAL LIMITS APPLY
 AFTER APPLICATION OF FINISH
 DRAWING NOT TO SCALE
 TOLERANCE UNLESS OTHERWISE NOTED:
 ANGULAR +/- 1°
 .XXXX +/- .010
 .XXX +/- .015
 .XX +/- .030
 X FOR REF. ONLY
 UNLESS OTHERWISE SPECIFIED
 ALL DIMENSIONS ARE IN INCHES

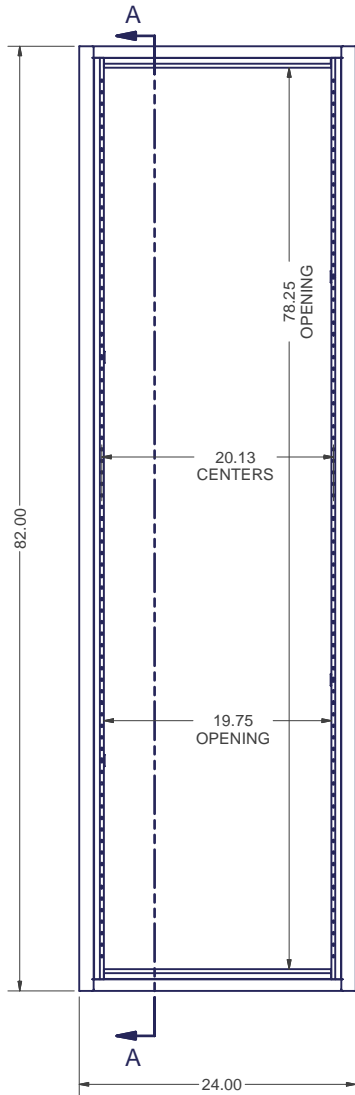
NOTICE:
 Use of this document is subject to a confidentiality and nondisclosure agreement with Great Lakes Case & Cabinet Co., Inc. (GLCC) and may not be reproduced, disclosed or utilized in whole or in part without prior written authorization from GLCC.

PART NUMBER:
84E24EXT
 QTY PER UNIT: 1
 MATERIAL TYPE: -
 MATERIAL GAUGE:
#16 GA
 FINISH: -
 DRAWN: JAL DATE: 10/25/2004
 CHECKED & APP. DATE: WSS 10/26/2004

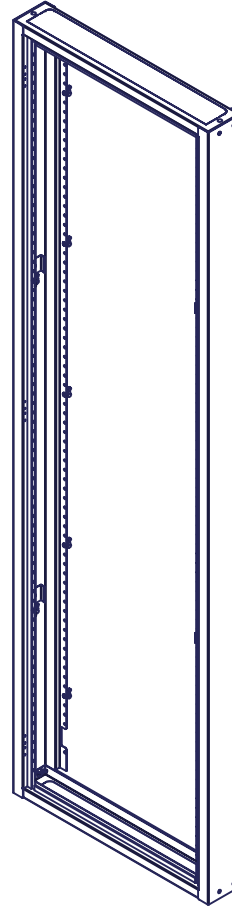
TITLE
4"DEEP ENCLOSURE EXTENSION, ENHANCED, 84"H x 24"W , 2 BOX KIT
 GREAT LAKES CASE & CABINET CO., INC.
 P.O. BOX 551 EDINBORO, PA 16412
 PHONE (814) 734-7303 FAX (814) 734-3907
 E-MAIL glcc@greatcabinets.com
 DWG NO: I001929
 REV: 0
 SHEET: 1 OF 2



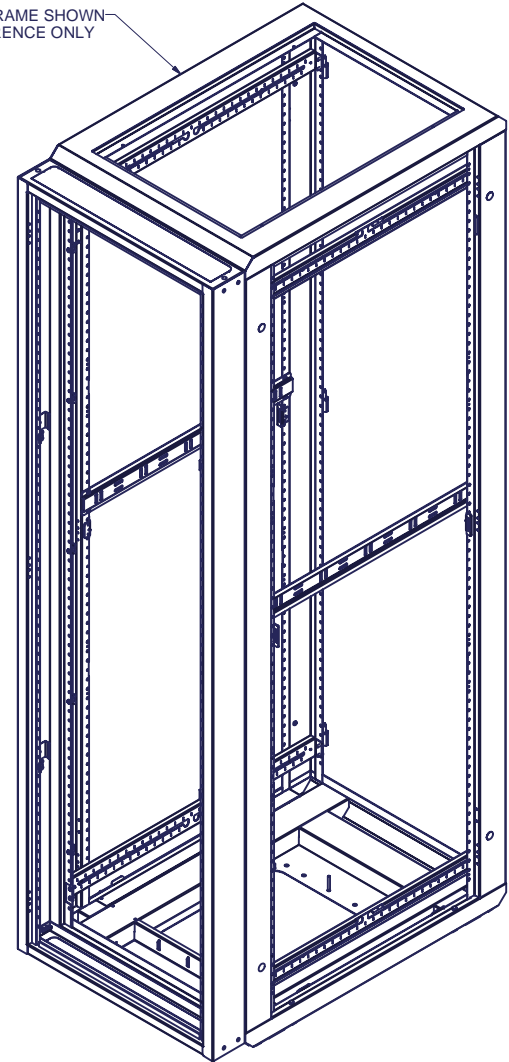
ASSEMBLED VIEW



SECTION A-A



CABINET FRAME SHOWN FOR REFERENCE ONLY



INTERPRET DRAWING PER ASME Y14.5M-1994
 DIMENSIONAL LIMITS APPLY AFTER APPLICATION OF FINISH
 DRAWING NOT TO SCALE
 TOLERANCE UNLESS OTHERWISE NOTED:
 ANGULAR +/- 1'
 .XXXX +/- .010
 .XXX +/- .015
 .XX +/- .030
 .X FOR REF. ONLY



THIRD ANGLE PROJECTION

UNLESS OTHERWISE SPECIFIED ALL DIMENSIONS ARE IN INCHES

NOTICE:

Use of this document is subject to a confidentiality and nondisclosure agreement with Great Lakes Case & Cabinet Co., Inc. (GLCC) and may not be reproduced, disclosed or utilized in whole or in part without prior written authorization from GLCC.

PART NUMBER:
84E24EXT4X200
 QTY PER UNIT: 1
 MATERIAL TYPE: -
 MATERIAL GAUGE: -
 FINISH: -
 DRAWN: CA DATE: 12/30/2003
 CHECKED & APP. DATE: WSS 10/26/2004

TITLE
4"D EXTENSION FOR 840E-24 CABINETS
GREAT LAKES CASE & CABINET CO., INC.
 P.O. BOX 551 EDINBORO, PA 16412
 PHONE (814) 734-7303 FAX (814) 734-3907
 E-MAIL glcc@greatcabinets.com

DWG NO: 1001929
 REV: 0
 SHEET: 2 OF 2