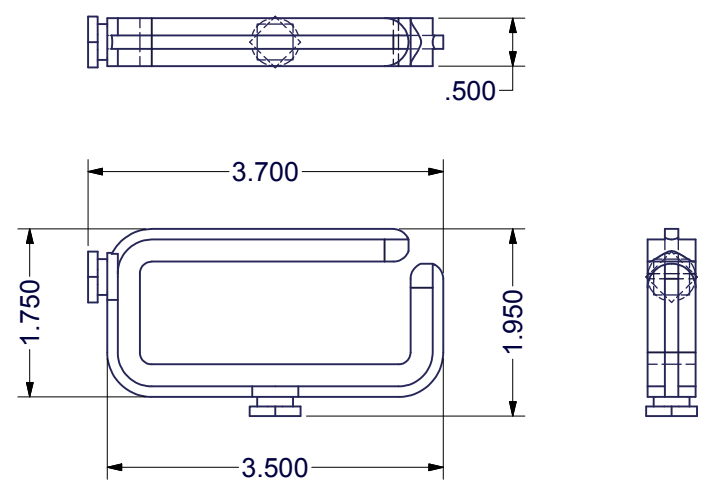
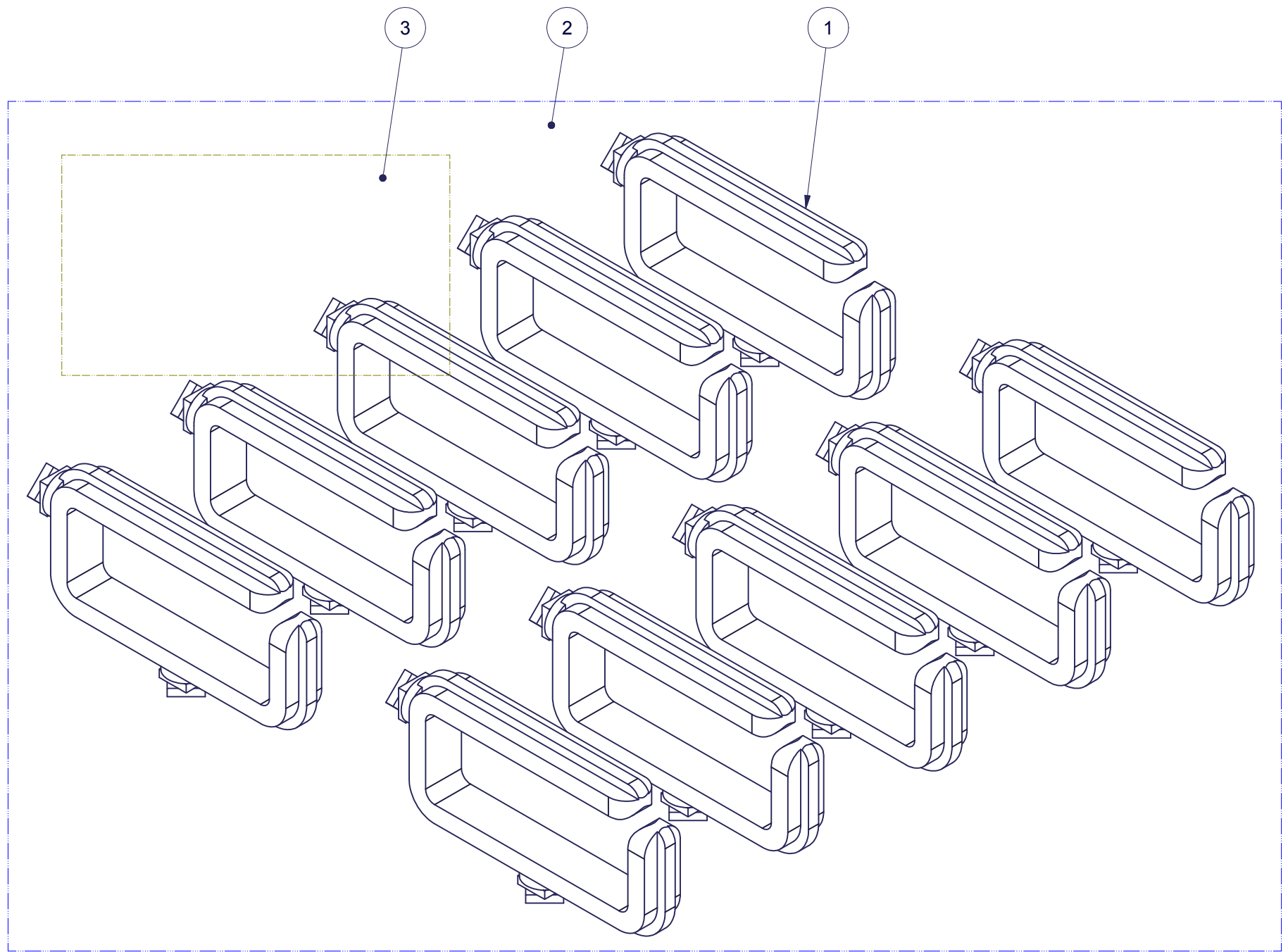


REVISION HISTORY			
REV	DESCRIPTION	DATE	APPROVED
0	ECO-06483	2/23/2015	FED

Bill of Material						
ITEM	PART NUMBER	STOCK #	QTY	DESCRIPTION	FILE NAME	Rev
1	VP-143		10	1/4 TURN D-RING CABLE MANAGER, SMALL VERSION - SIEMON VP-143	VP-143.ipt	-
2			1	SEALABLE POLYETHYLENE BAG (AS REQUIRED)	-	-
3			1	LABLE FOR CM25X200 BAGGED KIT	-	-



SPECIAL NOTE:

- 1) BAG (QTY10) 'D' RINGS IN POLY BAG OR BOX AND ATTACH LABEL TO OUTSIDE AS SHOWN.

EST. WEIGHT :
0.41 lbmass



INTERPRET DRAWING PER ASME Y14.5M-1994
DIMENSIONAL LIMITS APPLY
AFTER APPLICATION OF FINISH
DRAWING NOT TO SCALE
TOLERANCE UNLESS OTHERWISE NOTED:
ANGULAR +/- .1°
.XXXX +/- .010
.XXX +/- .015
.XX +/- .030
.X FOR REF. ONLY
UNLESS OTHERWISE SPECIFIED
ALL DIMENSIONS ARE IN INCHES

NOTICE:
Use of this document is subject to a confidentiality and nondisclosure agreement with Great Lakes Case & Cabinet Co., Inc. (GLCC) and may not be reproduced, disclosed or utilized in whole or in part without prior written authorization from GLCC.

PART NUMBER:
CM25X200
QTY PER UNIT: 1
MATERIAL TYPE:
SEE MAT'L LIST
MATERIAL GAUGE:
FINISH:
NONE
DRAWN DATE: 2/23/2015
FED DATE: 2/23/2015
CHECKED & APP. DATE: 2/23/2015
WSS

TITLE
KIT OF (10) 1.5" X 3.5" 1/4 TURN 'D' RINGS
GREAT LAKES CASE & CABINET CO., INC.
P.O. BOX 551 EDINBORO, PA 16412
PHONE (814) 734-7303 FAX (814) 734-3907
E-MAIL glcc@greatcabinets.com
DWG NO: 1022970
REV: 0
SHEET: 1 OF 1