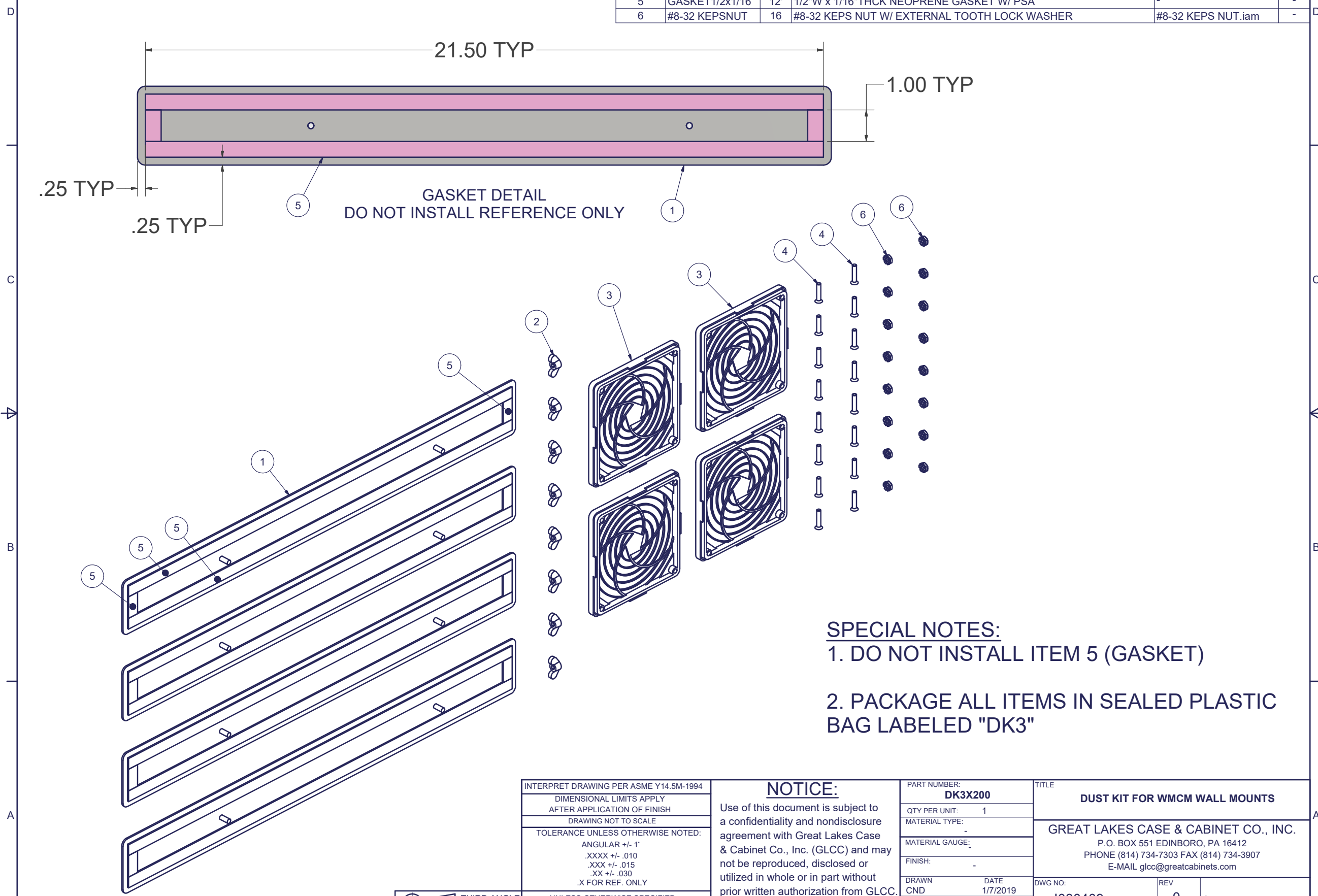


REVISION HISTORY				Bill of Material					
REV	DESCRIPTION	DATE	APPROVED	ITEM	PART NUMBER	QTY	DESCRIPTION	FILE NAME	REV
0	ECO-07554	1/7/18	CND	1	DK3X100	4	DUST COVER PLATE FOR "WMCM" WALL MOUNTS	I030410.iam	0
				2		8	#10-32 WING NUT 2ZN36616	10-32WING.ipt	-
				3	XF04A	4	FILTER FOR 4" FAN BLACK FOAM MEDIA QUALTEK	XF04A.iam	-
				4	8/32X3/4SCBLK	16	#8-32 x 3/4" LG BLACK OXIDE, WAX COAT, TYPE-F, PHIL. FLAT HEAD	8-32X750SCBLK.ipt	-
				5	GASKET1/2x1/16	12'	1/2"W x 1/16" THCK NEOPRENE GASKET W/ PSA	-	-
				6	#8-32 KEPSNUT	16	#8-32 KEPS NUT W/ EXTERNAL TOOTH LOCK WASHER	#8-32 KEPS NUT.iam	-



SPECIAL NOTES:
 1. DO NOT INSTALL ITEM 5 (GASKET)
 2. PACKAGE ALL ITEMS IN SEALED PLASTIC BAG LABELED "DK3"

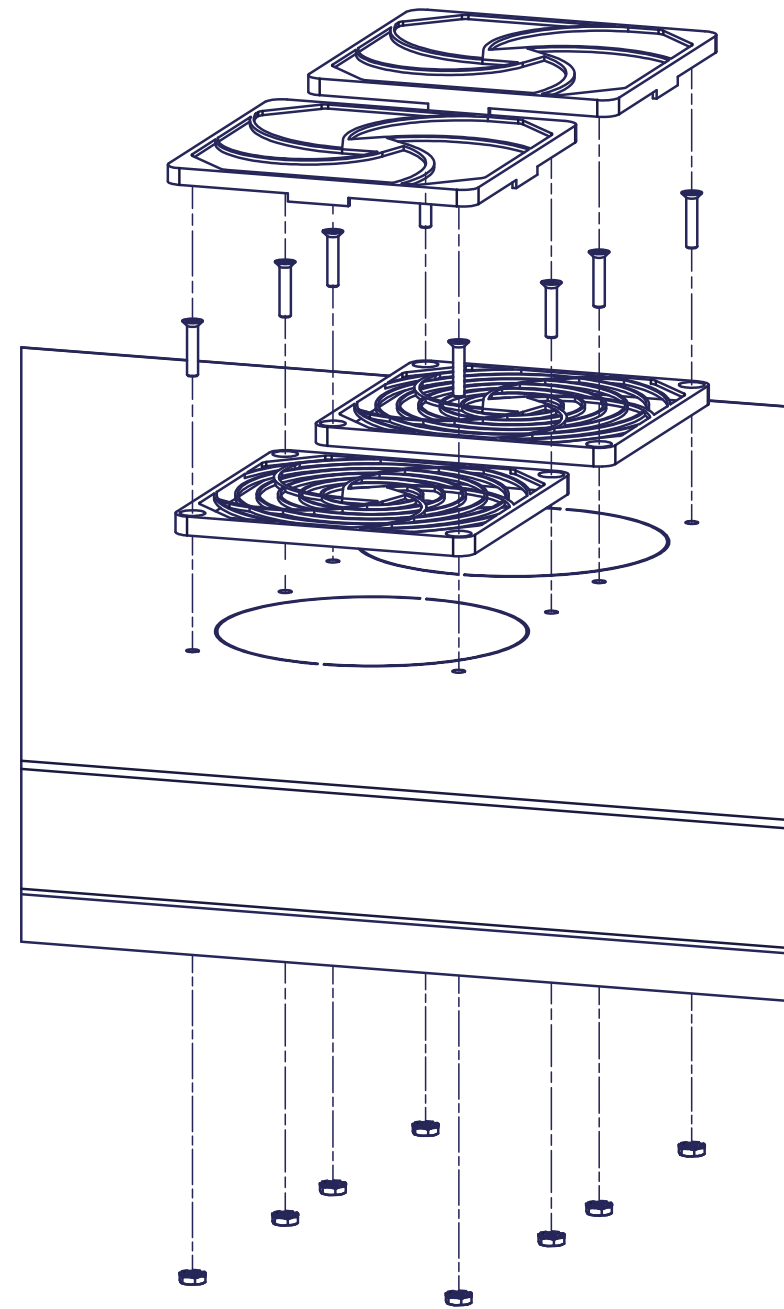
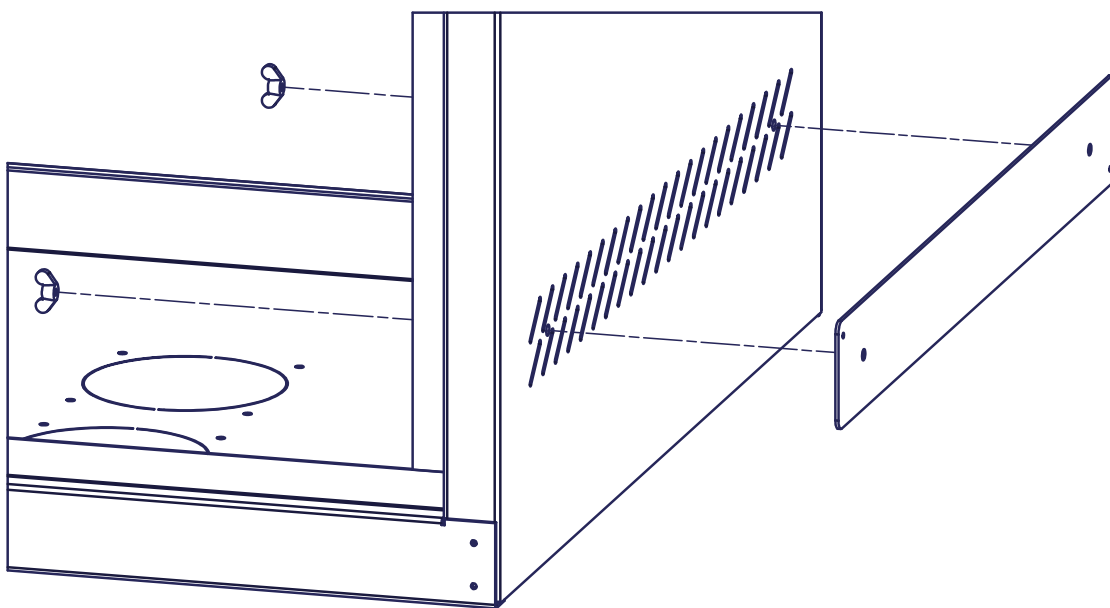
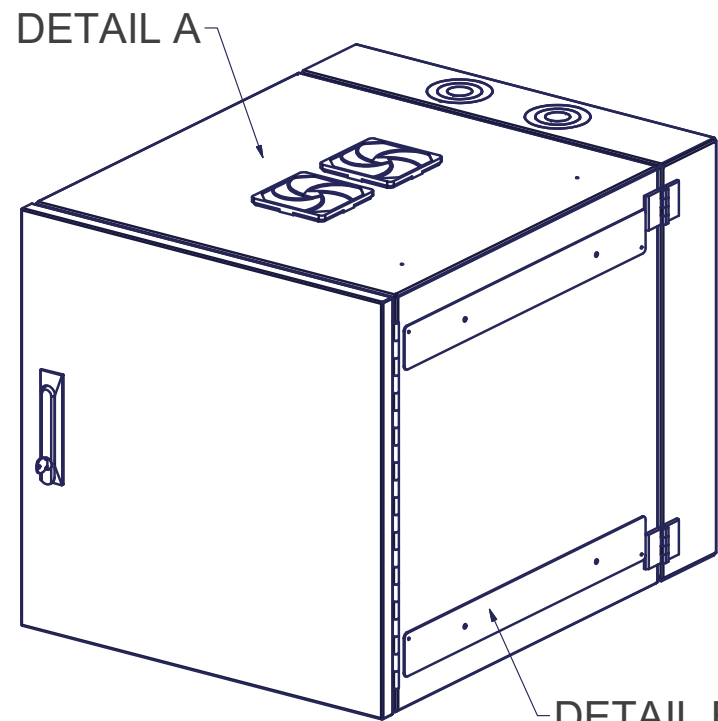
INTERPRET DRAWING PER ASME Y14.5M-1994
 DIMENSIONAL LIMITS APPLY AFTER APPLICATION OF FINISH
 DRAWING NOT TO SCALE
 TOLERANCE UNLESS OTHERWISE NOTED:
 ANGULAR +/- 1'
 .XXXX +/- .010
 .XXX +/- .015
 .XX +/- .030
 .X FOR REF. ONLY
 UNLESS OTHERWISE SPECIFIED ALL DIMENSIONS ARE IN INCHES

NOTICE:
 Use of this document is subject to a confidentiality and nondisclosure agreement with Great Lakes Case & Cabinet Co., Inc. (GLCC) and may not be reproduced, disclosed or utilized in whole or in part without prior written authorization from GLCC.

PART NUMBER: **DK3X200**
 QTY PER UNIT: 1
 MATERIAL TYPE: -
 MATERIAL GAUGE: -
 FINISH: -
 DRAWN: CND DATE: 1/7/2019
 CHECKED & APP. DATE: 1/7/19

TITLE: **DUST KIT FOR WMCM WALL MOUNTS**
GREAT LAKES CASE & CABINET CO., INC.
 P.O. BOX 551 EDINBORO, PA 16412
 PHONE (814) 734-7303 FAX (814) 734-3907
 E-MAIL glcc@greatcabinets.com
 DWG NO: **I030409** REV: **0** SHEET: 1 OF 2





**DETAIL B
DUST PANEL ASSEMBLY**

**DETAIL A
FAN FILTER ASSEMBLY**



INTERPRET DRAWING PER ASME Y14.5M-1994
DIMENSIONAL LIMITS APPLY AFTER APPLICATION OF FINISH
DRAWING NOT TO SCALE
TOLERANCE UNLESS OTHERWISE NOTED:
ANGULAR +/- 1°
.XXXX +/- .010
.XXX +/- .015
.XX +/- .030
.X FOR REF. ONLY
UNLESS OTHERWISE SPECIFIED ALL DIMENSIONS ARE IN INCHES

NOTICE:
Use of this document is subject to a confidentiality and nondisclosure agreement with Great Lakes Case & Cabinet Co., Inc. (GLCC) and may not be reproduced, disclosed or utilized in whole or in part without prior written authorization from GLCC.

PART NUMBER: DK3X200	
QTY PER UNIT: 1	
MATERIAL TYPE: CRS	
MATERIAL GAUGE: VARIES	
FINISH: POWDER	
DRAWN CND	DATE 1/7/2019
CHECKED & APP. CND	DATE 1/7/19

TITLE DUST KIT FOR WMCM WALL MOUNTS	
GREAT LAKES CASE & CABINET CO., INC. P.O. BOX 551 EDINBORO, PA 16412 PHONE (814) 734-7303 FAX (814) 734-3907 E-MAIL glcc@greatcabinets.com	
DWG NO: 1030409	REV 0
SHEET: 2 OF 2	