

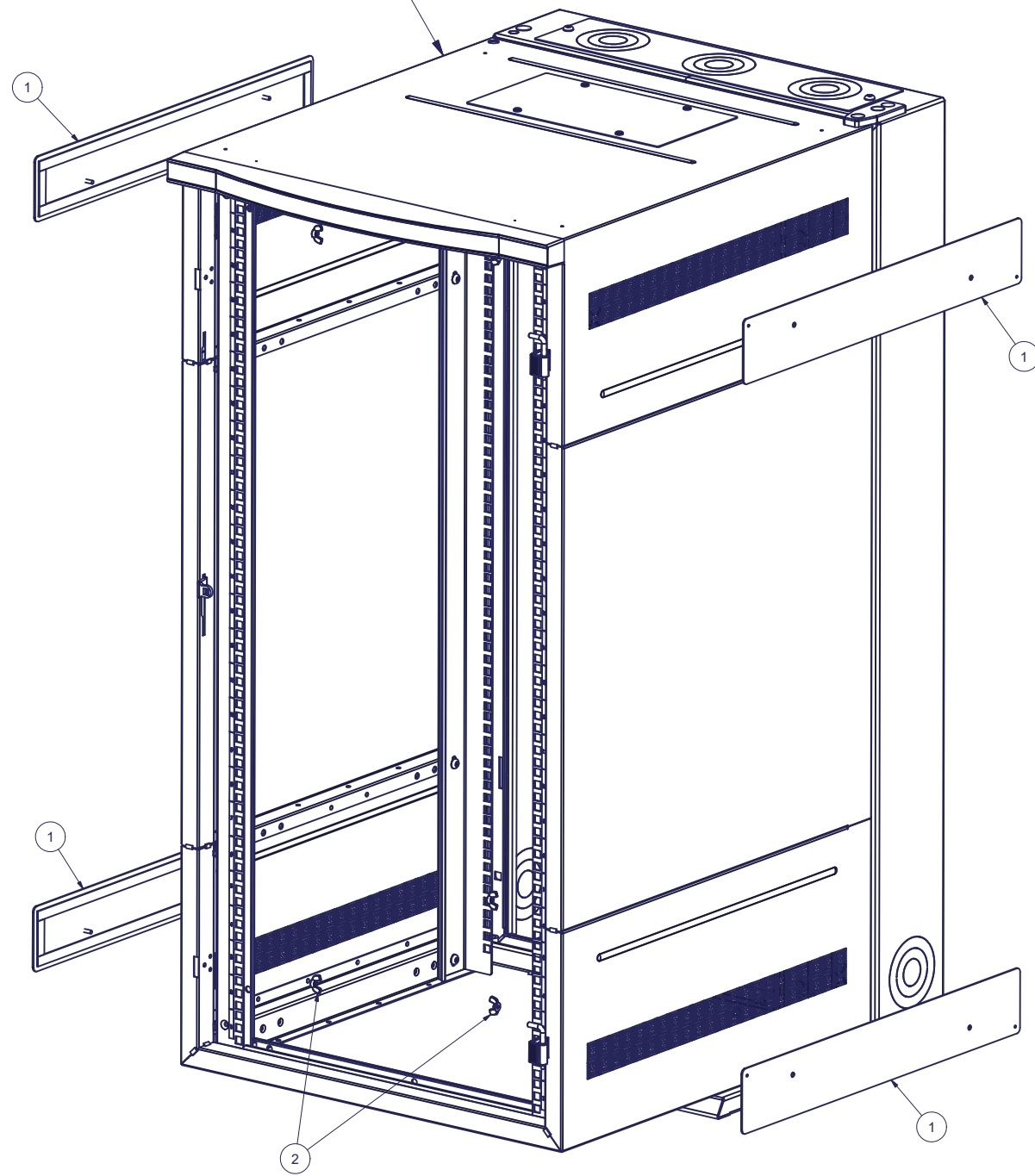
REVISION HISTORY			
REV	DESCRIPTION	DATE	APPROVED
0	ECO-07642	5/20/2019	HAM

**NOTES:**

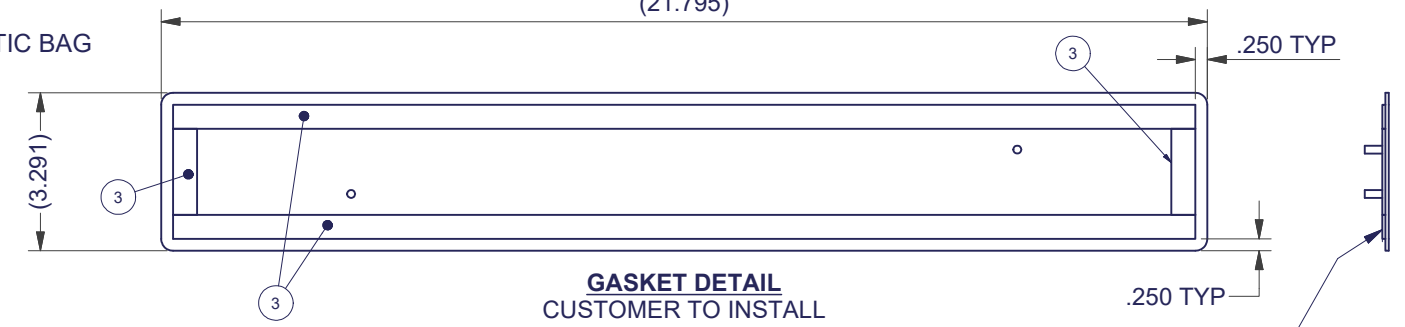
1. DO NOT INSTALL GASKETING BUT SHIP 16 FEET OF LENGTH WITH KIT.
2. INCLUDE A COPY OF THIS DRAWING INSIDE KIT.
3. PACKAGE ALL ITEMS & A COPY OF THIS DOCUMENT IN SEALED PLASTIC BAG AND LABEL "DK4".

Bill of Material					
ITEM	PART NUMBER	QTY	DESCRIPTION	FILE NAME	REVISION NUMBER
1	DK4X100	1	DUST PANEL KIT FOR WDX WALL MOUNTS	I030901.iam	0
2		8	NUT 8-32 WING BLACK ZINC ROHS	H02-032.ipt	-
3	GASKET .500x.0625	16 FT	1/2"W x 1/16"THK NEOPRENE GASKET W/ PSA		
4		1	COPY OF THIS DRAWING		

WDX WALLMOUNT BASE UNIT SHOWN FOR REF.

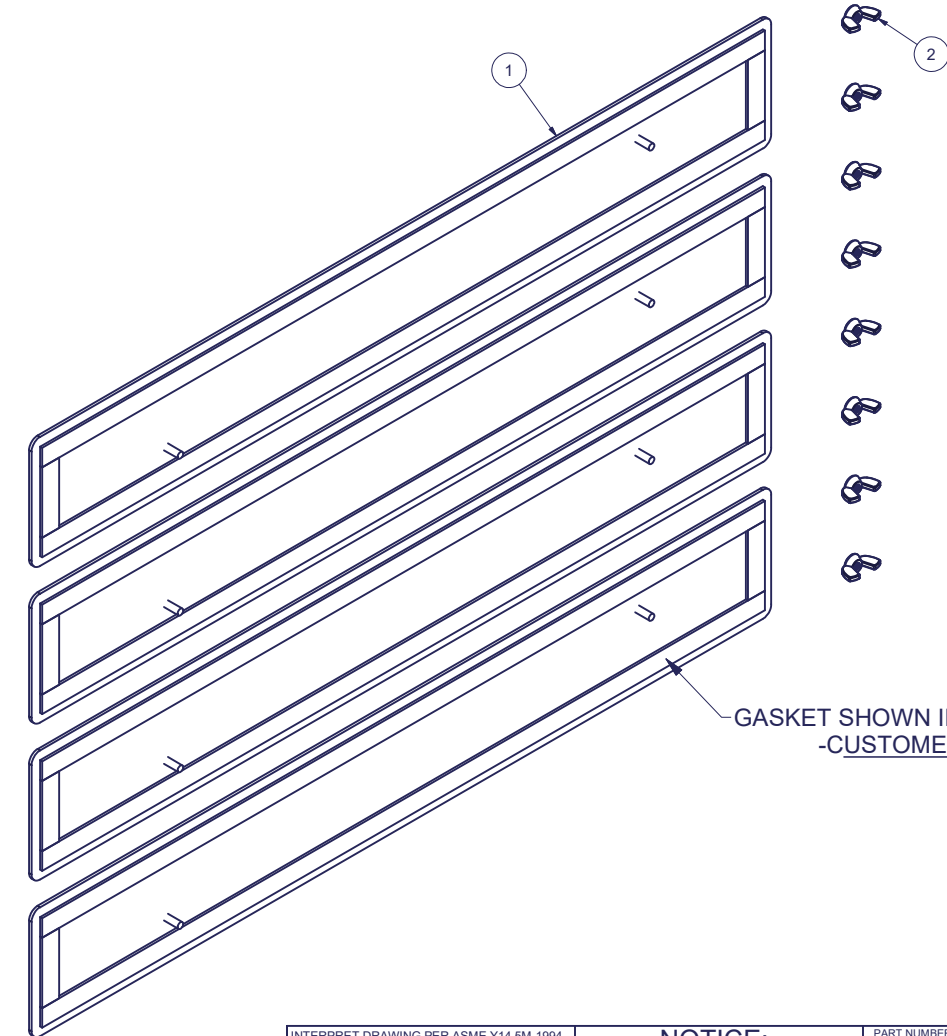


**EXPLODE ASSEMBLY VIEW**  
(FRT. DOOR OMITTED FOR CLARITY)



**GASKET DETAIL**  
CUSTOMER TO INSTALL

GASKET TO BE APPLIED TO SAME SIDE AS THREADED STUDS (CUSTOMER TO INSTALL ON SITE)



GASKET SHOWN INSTALLED FOR REF. -CUSTOMER TO INSTALL-

INTERPRET DRAWING PER ASME Y14.5M-1994 DIMENSIONAL LIMITS APPLY AFTER APPLICATION OF FINISH DRAWING NOT TO SCALE TOLERANCE UNLESS OTHERWISE NOTED: ANGULAR +/- .1" .XXXX +/- .010 .XXX +/- .015 .XX +/- .030 .X FOR REF. ONLY	<b>NOTICE:</b> Use of this document is subject to a confidentiality and nondisclosure agreement with Great Lakes Case & Cabinet Co., Inc. (GLCC) and may not be reproduced, disclosed or utilized in whole or in part without prior written authorization from GLCC.	PART NUMBER: <b>DK4X200</b>	TITLE: <b>DUST PANEL KIT FOR WDX WALL MOUNTS</b>
		QTY PER UNIT: 1	GREAT LAKES CASE & CABINET CO., INC. P.O. BOX 551 EDINBORO, PA 16412 PHONE (814) 734-7303 FAX (814) 734-3907 E-MAIL glcc@greatcabinets.com
		MATERIAL TYPE: MATERIAL GAUGE: FINISH:	
		DRAWN: HAM CHECKED & APP.: DATE	
THIRD ANGLE PROJECTION	UNLESS OTHERWISE SPECIFIED ALL DIMENSIONS ARE IN INCHES	DATE: 5/20/2019	REV: 0 SHEET: 1 OF 1