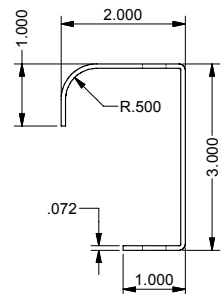
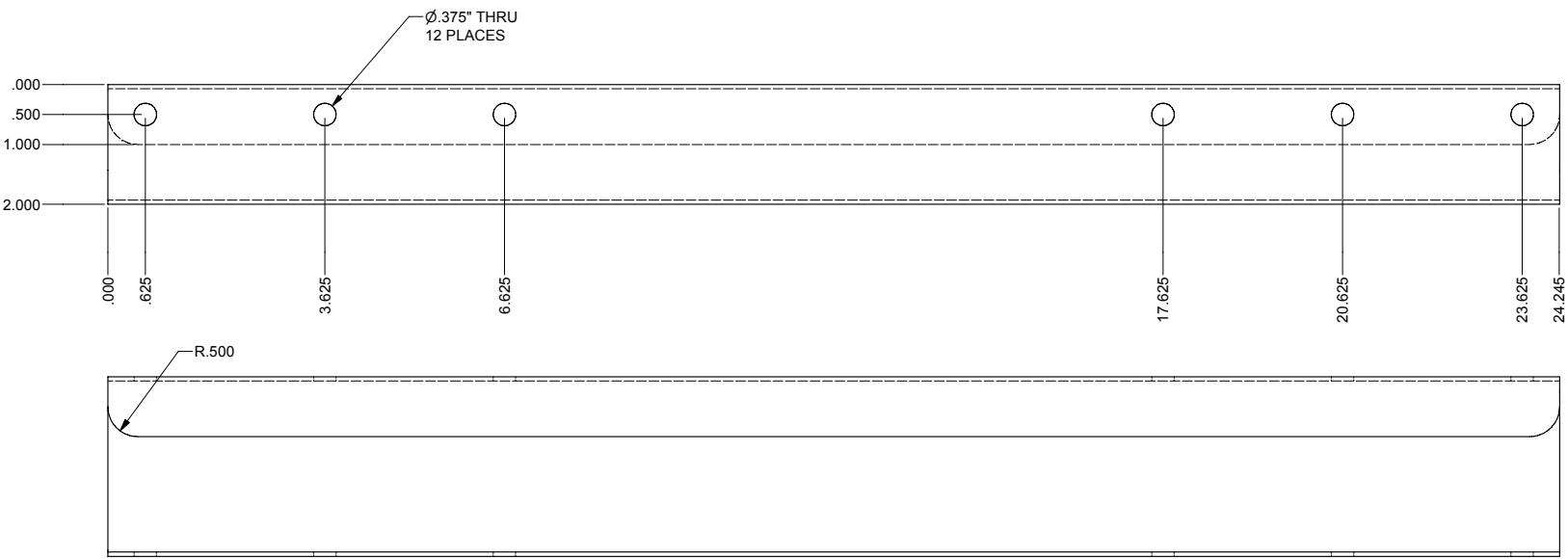
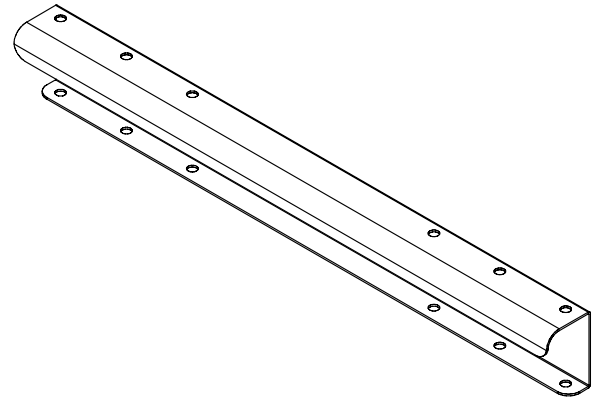


REVISION HISTORY			
REV	DESCRIPTION	DATE	APPROVED
1	ECO-02001	9/6/2007	WSS

**SPECIAL NOTES:**

- 1) FINISH PER TD-09-103 (POWDER COAT), CLASS B, TEXTURE LEVEL 3, - ALL SURFACES UNLESS OTHERWISE NOTED.
- 2) DIMENSIONS APPLY BEFORE APPLICATION OF FINISH: ADD .005" TO EACH SURFACE FOR INSPECTION.



INTERPRET DRAWING PER ASME Y14.5M-1994  
 DIMENSIONAL LIMITS APPLY AFTER APPLICATION OF FINISH  
 DRAWING NOT TO SCALE  
 TOLERANCE UNLESS OTHERWISE NOTED:  
 ANGULAR ± .1°  
 XXXX ± .010  
 XXX ± .015  
 XX ± .030  
 X FOR REF. ONLY  
 UNLESS OTHERWISE SPECIFIED ALL DIMENSIONS ARE IN INCHES

**NOTICE:**  
 Use of this document is subject to a confidentiality and nondisclosure agreement with Great Lakes Case & Cabinet Co., Inc. (GLCC) and may not be reproduced, disclosed or utilized in whole or in part without prior written authorization from GLCC.

PART NUMBER	LRB24X100
QTY PER UNIT	1
MATERIAL TYPE	C.P.S.
MATERIAL GAUGE	#14 GA.
FINISH	SEE NOTES
DATE	9/5/2007
CHECKED	JAL
DATE	9/5/07

TITLE	LADDER RACK BRACKET, 24 WIDE FOR ES SERIES FRAMES, DETAIL
<small>P.O. BOX 551 EDINBORO, PA 16412          PHONE (814) 734-7303 FAX (814) 734-3907 E-MAIL: glcc@greatlakes.com</small>	
DWG NO	I005930
REV	0
SHEET	1 OF 1