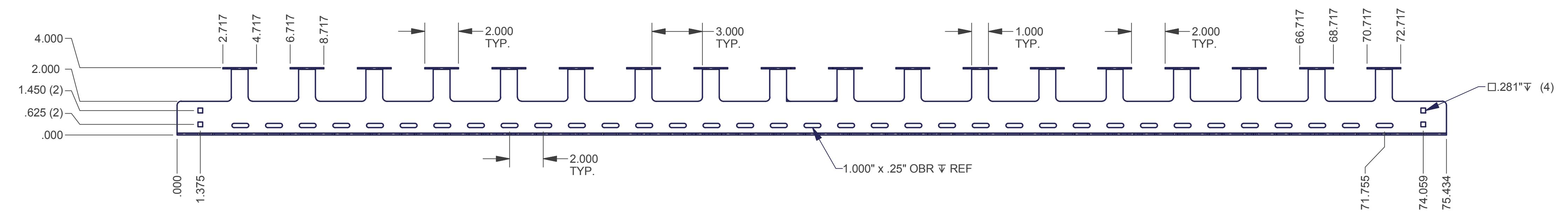
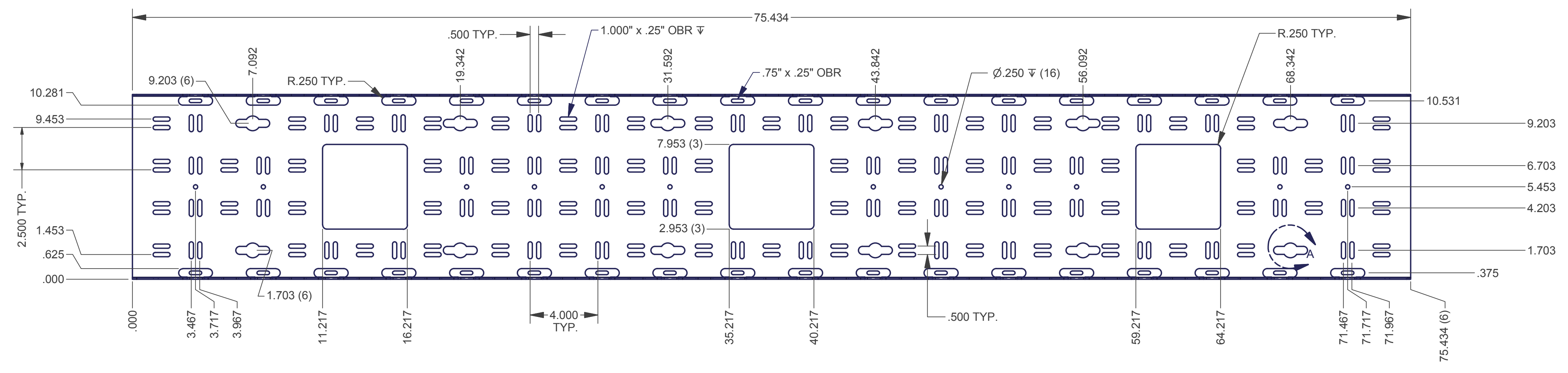
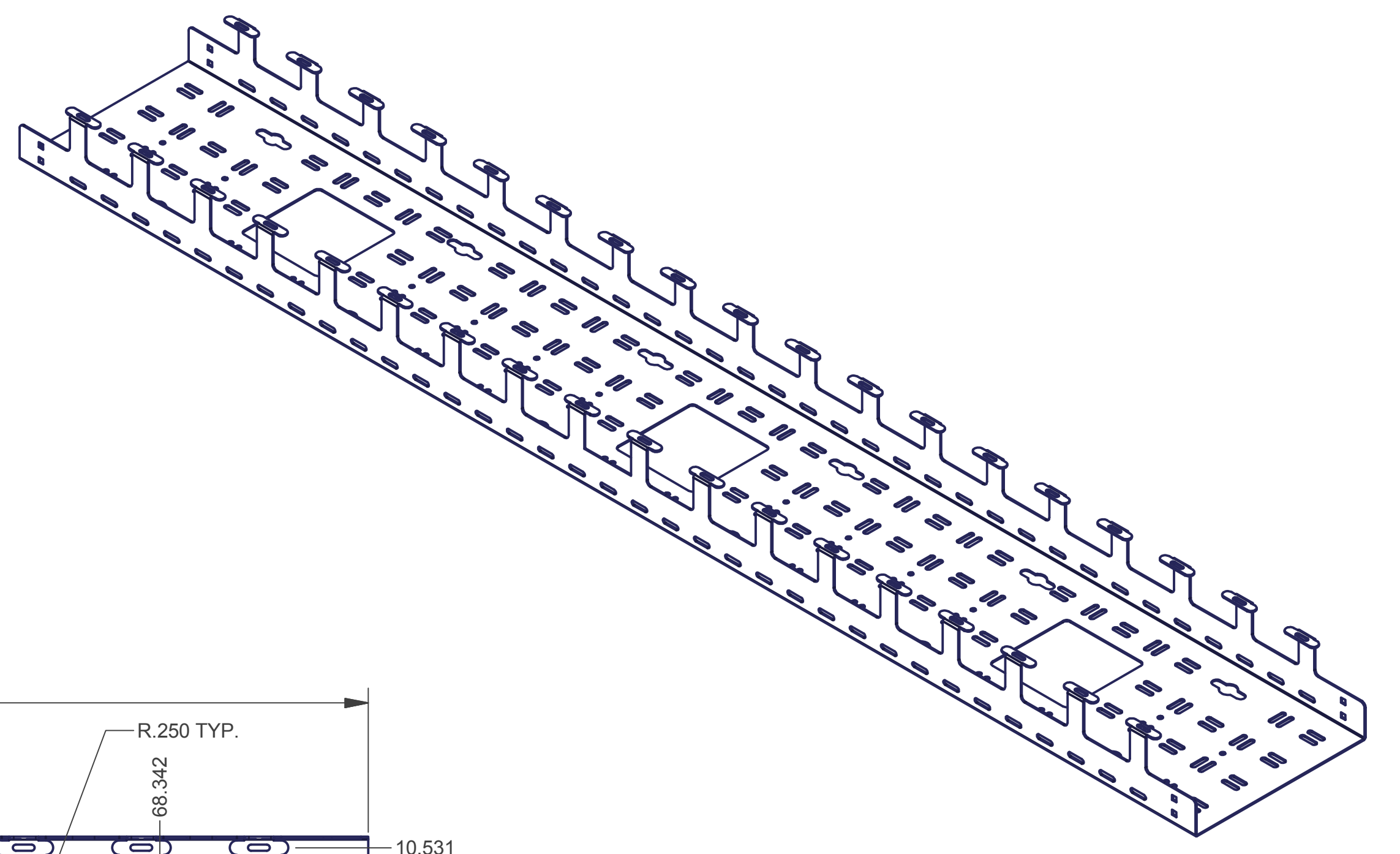
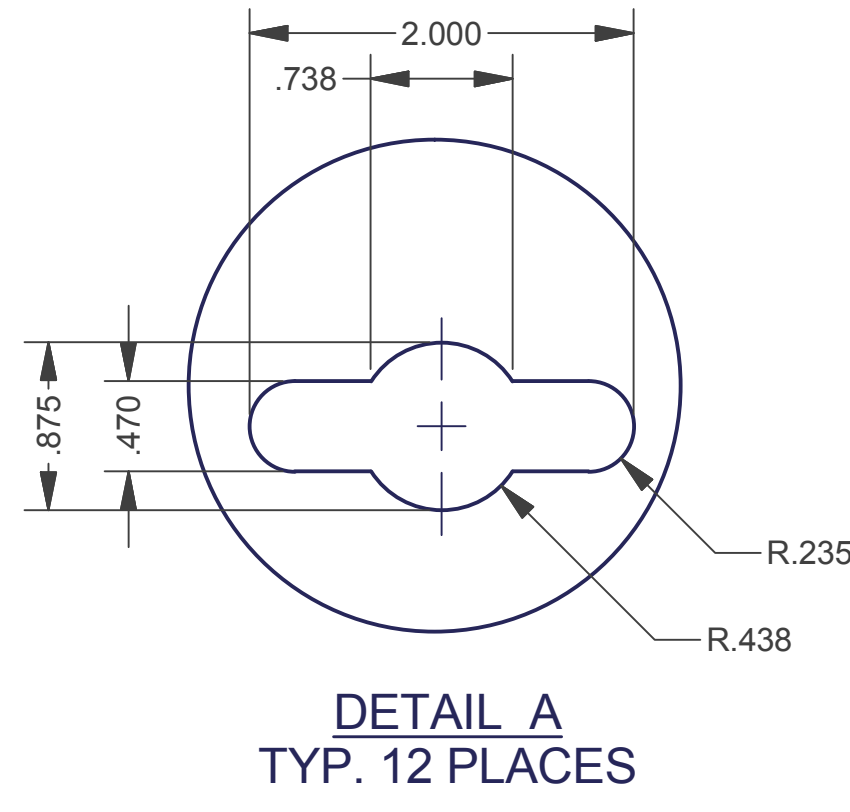
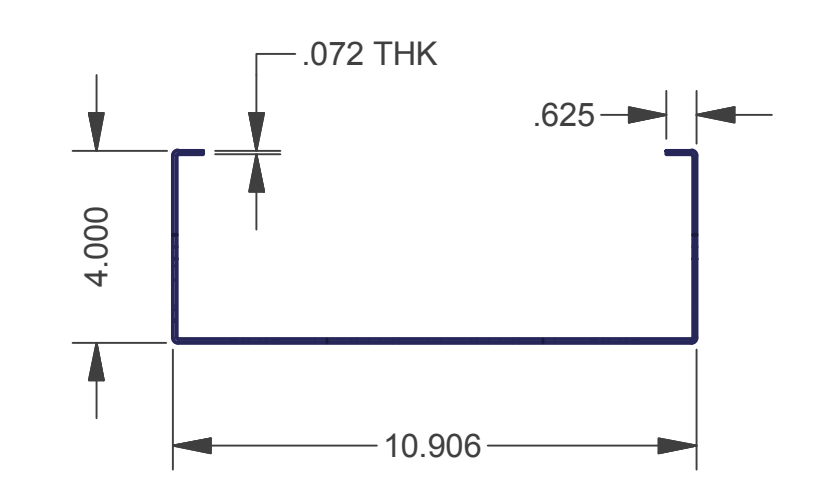


REVISION HISTORY			
REV	DESCRIPTION	DATE	APPROVED
0	ECO-06204	3/24/14	TAD



- NOTES:**
1. FINISH PER TD-09-103 (POWDER COAT), CLASS B, TEXTURE LEVEL 3 - ALL SURFACES UNLESS OTHERWISE NOTED.
  2. DIMENSIONS APPLY BEFORE APPLICATION OF FINISH: ADD .005" TO EACH SURFACE FOR INSPECTION.
  3. TYPICAL BEND = R0.030" x 90° INSIDE.



INTERPRET DRAWING PER ASME Y14.5M-1994 DIMENSIONAL LIMITS APPLY AFTER APPLICATION OF FINISH DRAWING NOT TO SCALE TOLERANCE UNLESS OTHERWISE NOTED: ANGULAR +/- 1' .XXXX +/- .010 .XXX +/- .015 .XX +/- .030 .X FOR REF. ONLY	<b>NOTICE:</b> Use of this document is subject to a confidentiality and nondisclosure agreement with Great Lakes Case & Cabinet Co., Inc. (GLCC) and may not be reproduced, disclosed or utilized in whole or in part without prior written authorization from GLCC.	PART NUMBER: <b>1021162</b>	TITLE <b>VERTICAL LACING BAR FOR 79"H x 12"W SIDE CAR - DETAIL</b>		
		QTY PER UNIT: 1	GREAT LAKES CASE & CABINET CO., INC. P.O. BOX 551 EDINBORO, PA 16412 PHONE (814) 734-7303 FAX (814) 734-3907 E-MAIL glcc@greatcabinets.com		
		MATERIAL TYPE: CRS	DRAWN DATE TAD 3/24/2014		DWG NO: <b>1021162</b>
		FINISH: SEE NOTES	CHECKED & APP. DATE	REV <b>0</b>	SHEET: 1 OF 1

